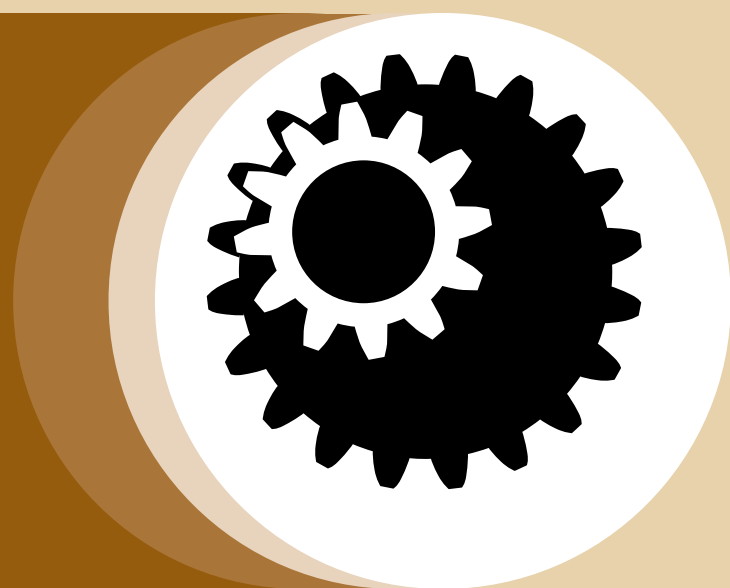


**Genset Power Units  
CD4039/4045/6068  
Engines**

**(Saran)**

**PARTS  
CATALOG**



**Deere Power Systems Group  
PC2465 (Feb-99)**  
LITHO IN U.S.A. (REVISED)



CD42168 -UN-26MAY98

**FOR ENGLISH READERS  
INFORMATION AND GUIDELINE OF THIS PARTS CATALOG**

BE SURE TO READ THE PARTS CATALOG GUIDELINES AND ENGINE INFORMATION FOR A PROPER USE OF THE CATALOG AND AN EASY ORDERING OF THE PARTS (SECTION 10)

**POUR LES LECTEURS FRANCAIS  
INFORMATION ET GUIDE D'UTILISATION DU CATALOGUE**

VEUILLEZ VOUS REFERER AU GUIDE D'UTILISATION DU CATALOGUE ET AUX INFORMATIONS MOTEURS POUR UNE LECTURE FACILE NECESSAIRE A LA COMMANDE DES PIECES DE RECHANGE (SECTION 10)

**FUER DEUTSCHE LESER  
HINWEIS UND GEBRAUCHSANWEISUNG DES ERSATZTEILKATALOGS**

FUER PROBLEMLOSE ERSATZTEILBESTELLUNG WIRD GRUENDLISCHES DURCHLESEN DER GEBRAUCHSANWEISUNG UND DER MOTORINFORMATION EMPFOHLEN (KAPITEL 10)

**PER IL LETTORE ITALIANO  
INFORMAZIONI E GUIDA PER L'USO DEL CATALOGO**

PER UNA LETTURA FACILE E NECESSARIO PER ORDINARE LE PEZZI DI RICAMBIO, VOGLIATE RIFERIRVI ALLE GUIDA PER L'USO DEL CATALOGO E INFORMAZIONI MOTORI (SEZIONE 10)

**PARA LECTORES EN ESPANOL  
INFORMACION Y A LA GUIA DE UTILIZACION DEL CATALOGO**

SIGA A LA GUIA DE USO DEL CATALOGO Y A LAS INFORMACIONES DE MOTOR PARA LEER FACILMENTE Y PEDIR LAS PIEZAS DE RECAMBIO (SECCION 10)

**FOER SVENSKA LAESARE  
INFORMATION OCH RAAD FOER ANVAENDNING AV KATALOGEN**

LAES BRUKSANVISNING OCH MOTOR INFORMATIONEN FOER BAESTA ANVAENDNING AV KATALOGEN OCH ENKEL BAESTAELNING AV DELAR (SEKTION 10)

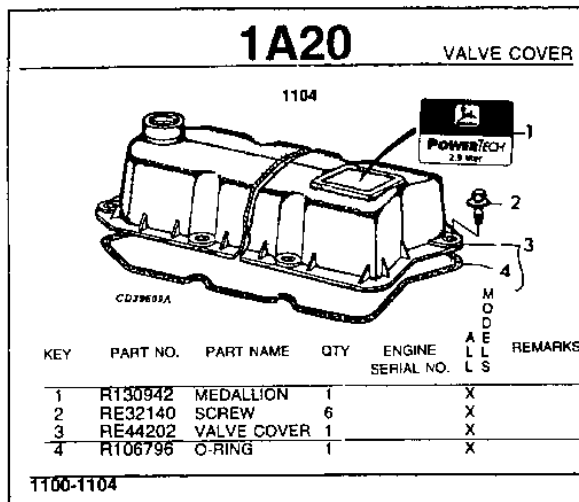
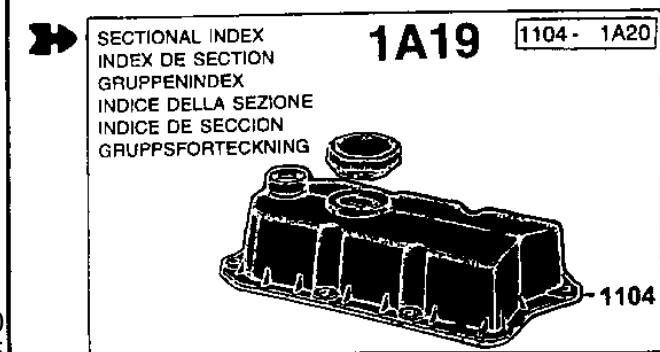
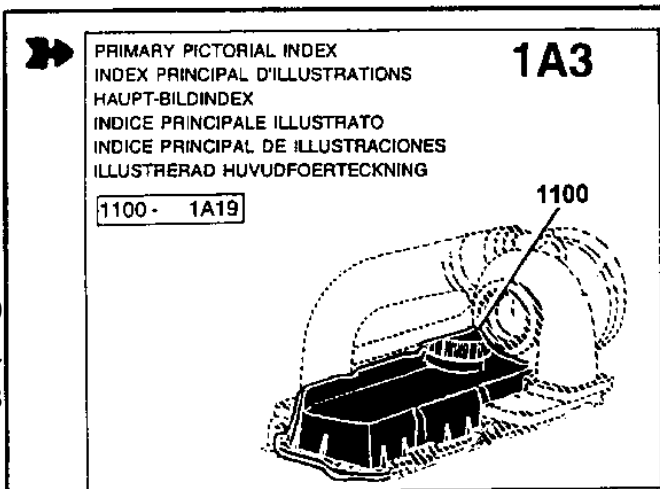
1100 -	1B2
1100 -	1B3
1200 -	1B8
1200 -	1B9
1300 -	1B14
1300 -	1B15
1400 -	1B20
1500 -	1C2
1600 -	1C6
1700 -	1C21
1900 -	1D3
1900 -	1D4
2000 -	1D10
2000 -	1D11
2100 -	1D17
2100 -	1D18
2200 -	1E2
2200 -	1E3
2300 -	1E7
2300 -	1E8
2400 -	1E12
2400 -	1E13
2500 -	1E18
2800 -	1F2
2900 -	1F7
2900 -	1F8
3000 -	1F12
3100 -	1F18
3700 -	1G2
3900 -	1G6
4000 -	1G9
4000 -	1G10
4300 -	1G15
4400 -	1G19
4400 -	1G20
4500 -	1H3
5600 -	1H7
5700 -	1H10
5900 -	1H13
5900 -	1H14
6200 -	1I2
6200 -	1I3
6400 -	1I9
6400 -	1I10
6500 -	1I16
6600 -	1J3
6800 -	1J7
7600 -	1J10
8600 -	1J13
8700 -	1J17
8800 -	1J20
9700 -	1K3
9800 -	2B3
9900 -	2C11

CD42168

## GUIDELINES (WITH ORDERABLE OPTION CODES)

CD42169 -UN-26MAY98

1100 -	1B2
1100 -	1B3
1200 -	1B8
1200 -	1B9
1300 -	1B14
1300 -	1B15
1400 -	1B20
1500 -	1C2
1600 -	1C6
1700 -	1C21
1900 -	1D3
1900 -	1D4
2000 -	1D10
2000 -	1D11
2100 -	1D17
2100 -	1D18
2200 -	1E2
2200 -	1E3
2300 -	1E7
2300 -	1E8
2400 -	1E12
2400 -	1E13
2500 -	1E18
2800 -	1F2
2900 -	1F7
2900 -	1F8
3000 -	1F12
3100 -	1F18
3700 -	1G2
3900 -	1G6
4000 -	1G9
4000 -	1G10
4300 -	1G15
4400 -	1G19
4400 -	1G20
4500 -	1H3
5600 -	1H7
5700 -	1H10
5900 -	1H13
5900 -	1H14
6200 -	1I2
6200 -	1I3
6400 -	1I9
6400 -	1I10
6500 -	1I16
6600 -	1J3
6800 -	1J7
7600 -	1J10
8600 -	1J13
8700 -	1J17
8800 -	1J20
9700 -	1K3
9800 -	2B3
9900 -	2C11



1. Locate the part with the code  
Localiser la pièce avec le code  
Teil anhand des Codes bestimmen  
Determinare il pezzo con il codice  
Localizar la pieza por código  
Identifiera delen med hjälp av kod

2. Locate the grid by the code  
Localiser la grille par le code  
Koordinaten anhand des Codes bestimmen  
Determinare la griglia con il codice  
Localizar coordenadas por código  
Fastställ ruta med hjälp av kod

3. Locate the part  
Localiser la pièce  
Teil bestimmen  
Determinare il pezzo  
Localizar la pieza  
Identifiera delen

CD42169

## GUIDELINES (WITHOUT OPTION CODES)

CD42170 -UN-26MAY98

➔ PRIMARY PICTORIAL INDEX  
INDEX PRINCIPAL D'ILLUSTRATIONS  
HAUPT-BILDINDEX  
INDICE PRINCIPALE ILLUSTRATO  
INDICE PRINCIPAL DE ILLUSTRACIONES  
ILLUSTRERAD HUVUDFOERTECKNING

**1A4**

9900 - 2E3 ➔

9900

➔ SECTIONAL INDEX  
INDEX DE SECTION  
GRUPPENINDEX  
INDICE DELLA SEZIONE  
INDICE DE SECCION  
GRUPPSFORTECKNING

**2E3** ➔ 9928 - 2F7

9928

**2F7** ENGINE BASE

9928

KEY	PART NO.	PART NAME	QTY	ENGINE SERIAL NO.	REMARKS
1	RE52020	KIT	1		X

9900-9928

1. Locate the part with the code  
Localiser la pièce avec le code  
Teil anhand des Codes bestimmen  
Determinare il pezzo con il codice  
Localizar la pieza por código  
Identifiera delen med hjälp av kod

2. Locate the grid by the code  
Localiser la grille par le code  
Koordinaten anhand des Codes bestimmen  
Determinare la griglia con il codice  
Localizar coordenadas por código  
Fastställ ruta med hjälp av kod

3. Locate the part  
Localiser la pièce  
Teil bestimmen  
Determinare il pezzo  
Localizar la pieza  
Identifiera delen

CD42170

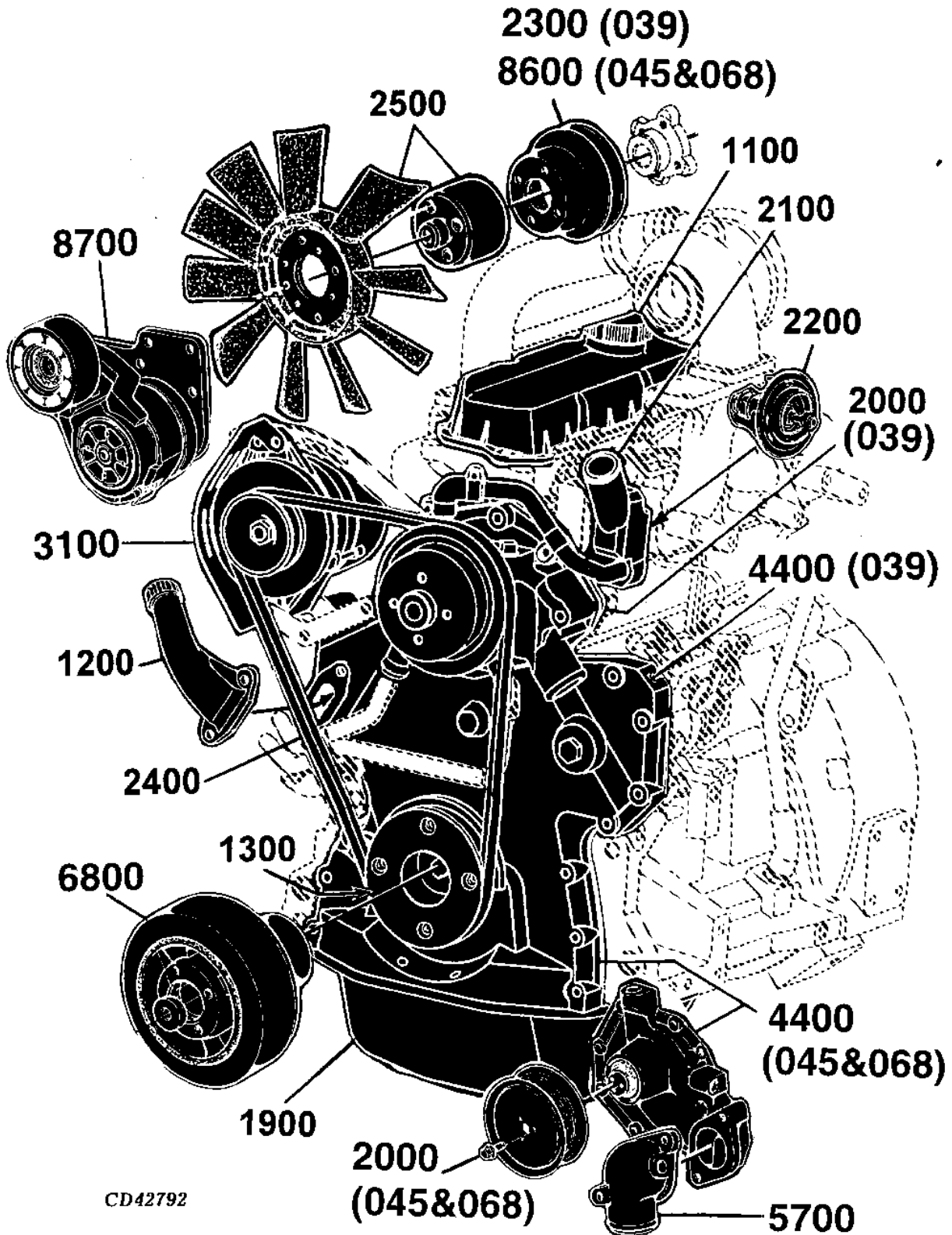
1100 -	1B2
1100 -	1B3
1200 -	1B8
1200 -	1B9
1300 -	1B14
1300 -	1B15
1400 -	1B20
1500 -	1C2
1600 -	1C6
1700 -	1C21
1900 -	1D3
1900 -	1D4
2000 -	1D10
2000 -	1D11
2100 -	1D17
2100 -	1D18
2200 -	1E2
2200 -	1E3
2300 -	1E7
2300 -	1E8
2400 -	1E12
2400 -	1E13
2500 -	1E18
2800 -	1F2
2900 -	1F7
2900 -	1F8
3000 -	1F12
3100 -	1F18
3700 -	1G2
3900 -	1G6
4000 -	1G9
4000 -	1G10
4300 -	1G15
4400 -	1G19
4400 -	1G20
4500 -	1H3
5600 -	1H7
5700 -	1H10
5900 -	1H13
5900 -	1H14
6200 -	1I2
6200 -	1I3
6400 -	1I9
6400 -	1I10
6500 -	1I16
6600 -	1J3
6800 -	1J7
7600 -	1J10
8600 -	1J13
8700 -	1J17
8800 -	1J20
9700 -	1K3
9800 -	2B3
9900 -	2C11

# 1A5

## PRIMARY PICTORIAL INDEX

CD42792 -UN-25FEB99

1100 -	1B2
1100 -	1B3
1200 -	1B8
1200 -	1B9
1300 -	1B14
1300 -	1B15
1400 -	1B20
1500 -	1C2
1600 -	1C6
1700 -	1C21
1900 -	1D3
1900 -	1D4
2000 -	1D10
2000 -	1D11
2100 -	1D17
2100 -	1D18
2200 -	1E2
2200 -	1E3
2300 -	1E7
2300 -	1E8
2400 -	1E12
2400 -	1E13
2500 -	1E18
2800 -	1F2
2900 -	1F7
2900 -	1F8
3000 -	1F12
3100 -	1F18
3700 -	1G2
3900 -	1G6
4000 -	1G9
4000 -	1G10
4300 -	1G15
4400 -	1G19
4400 -	1G20
4500 -	1H3
5600 -	1H7
5700 -	1H10
5900 -	1H13
5900 -	1H14
6200 -	1I2
6200 -	1I3
6400 -	1I9
6400 -	1I10
6500 -	1I16
6600 -	1J3
6800 -	1J7
7600 -	1J10
8600 -	1J13
8700 -	1J17
8800 -	1J20
9700 -	1K3
9800 -	2B3
9900 -	2C11



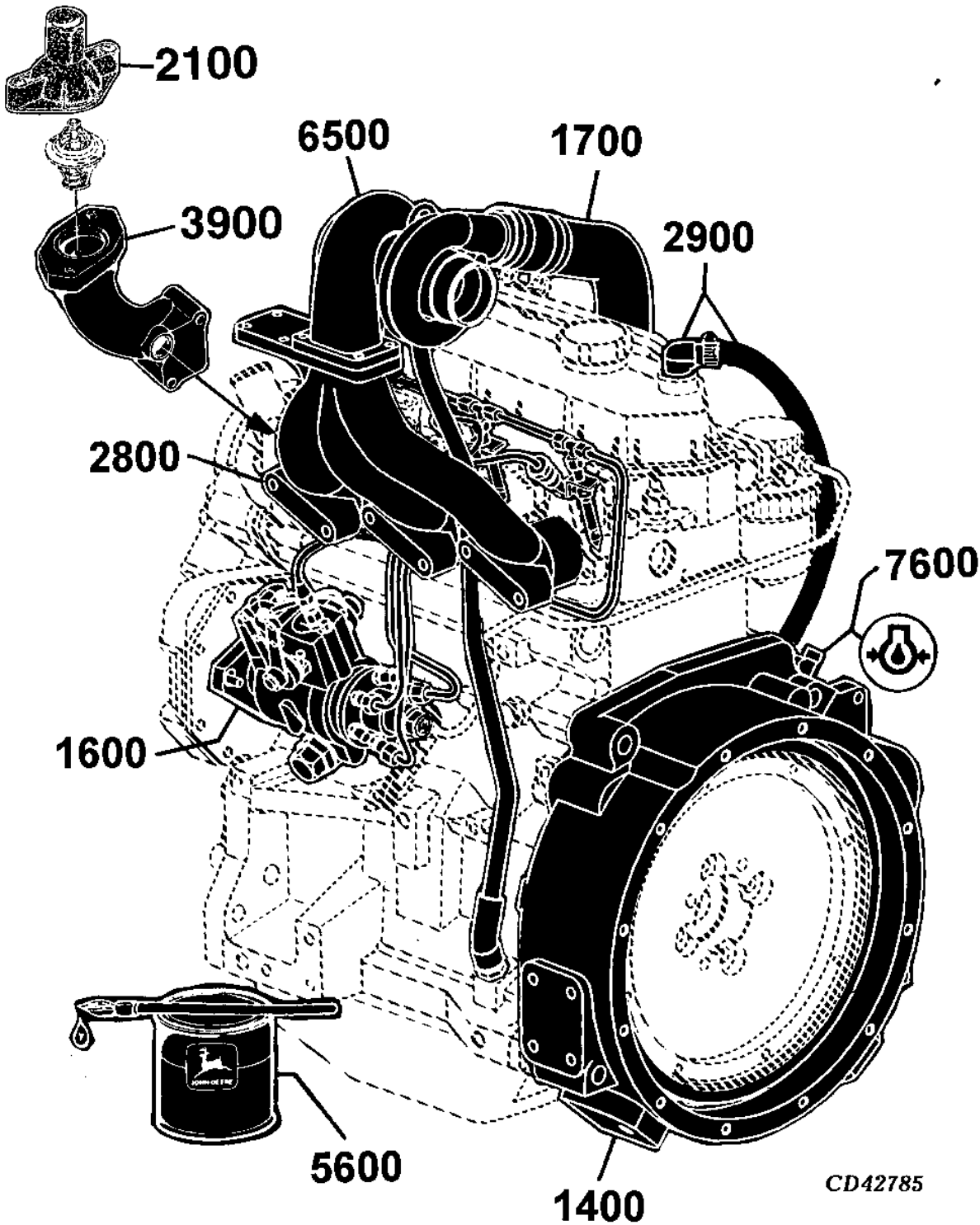
CD42792

# 1A6

GENSET POWER UNITS CD4039/4045/6068 ENGINES

## PRIMARY PICTORIAL INDEX

CD42785 -UN-22FEB99



1100 -	1B2
1100 -	1B3
1200 -	1B8
1200 -	1B9
1300 -	1B14
1300 -	1B15
1400 -	1B20
1500 -	1C2
1600 -	1C6
1700 -	1C21
1900 -	1D3
1900 -	1D4
2000 -	1D10
2000 -	1D11
2100 -	1D17
2100 -	1D18
2200 -	1E2
2200 -	1E3
2300 -	1E7
2300 -	1E8
2400 -	1E12
2400 -	1E13
2500 -	1E18
2800 -	1F2
2900 -	1F7
2900 -	1F8
3000 -	1F12
3100 -	1F18
3700 -	1G2
3900 -	1G6
4000 -	1G9
4000 -	1G10
4300 -	1G15
4400 -	1G19
4400 -	1G20
4500 -	1H3
5600 -	1H7
5700 -	1H10
5900 -	1H13
5900 -	1H14
6200 -	1I2
6200 -	1I3
6400 -	1I9
6400 -	1I10
6500 -	1I16
6600 -	1J3
6800 -	1J7
7600 -	1J10
8600 -	1J13
8700 -	1J17
8800 -	1J20
9700 -	1K3
9800 -	2B3
9900 -	2C11

CD42785

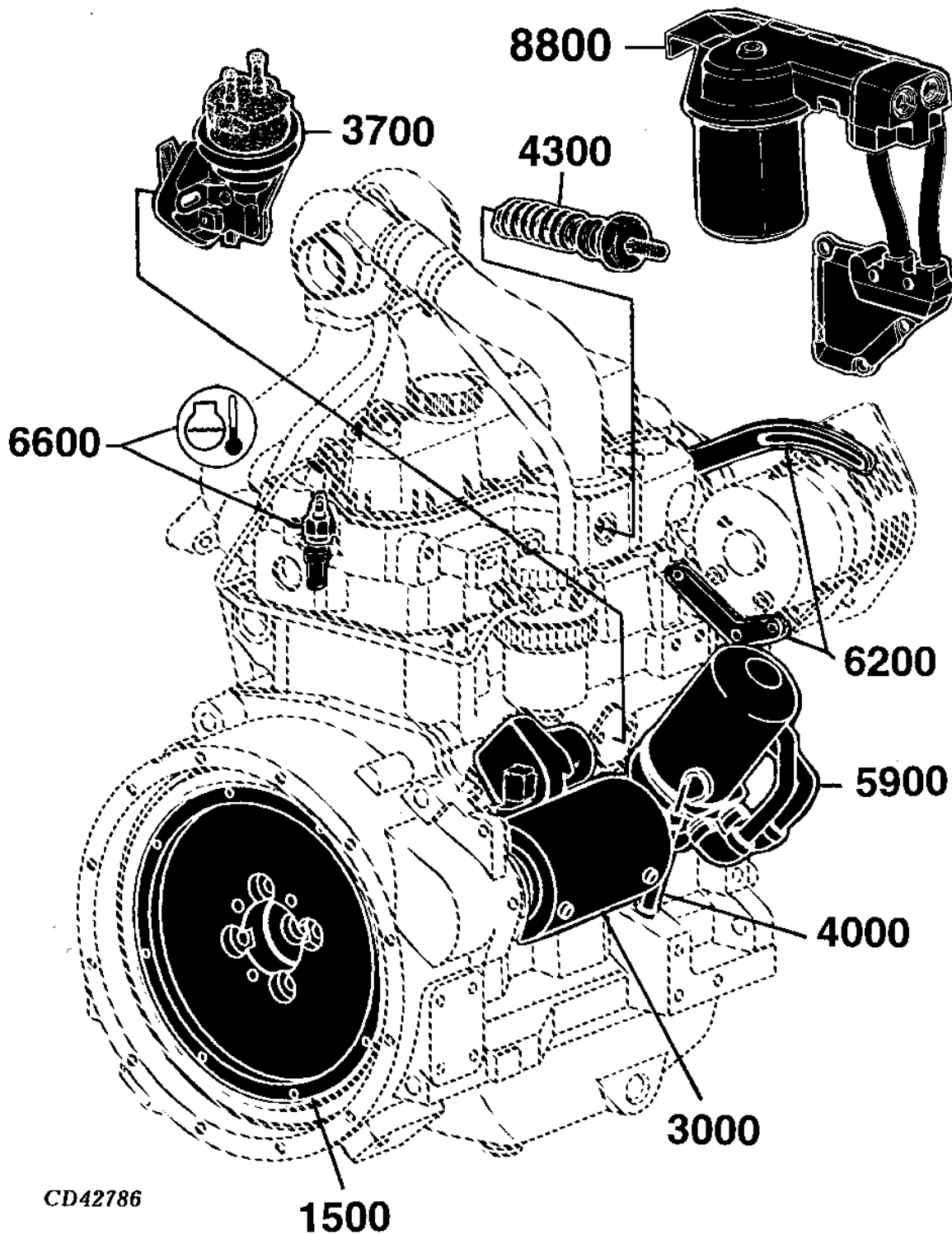
# 1A7

GENSET POWER UNITS CD4039/4045/6068 ENGINES

## PRIMARY PICTORIAL INDEX

CD42786 -UN-22FEB99

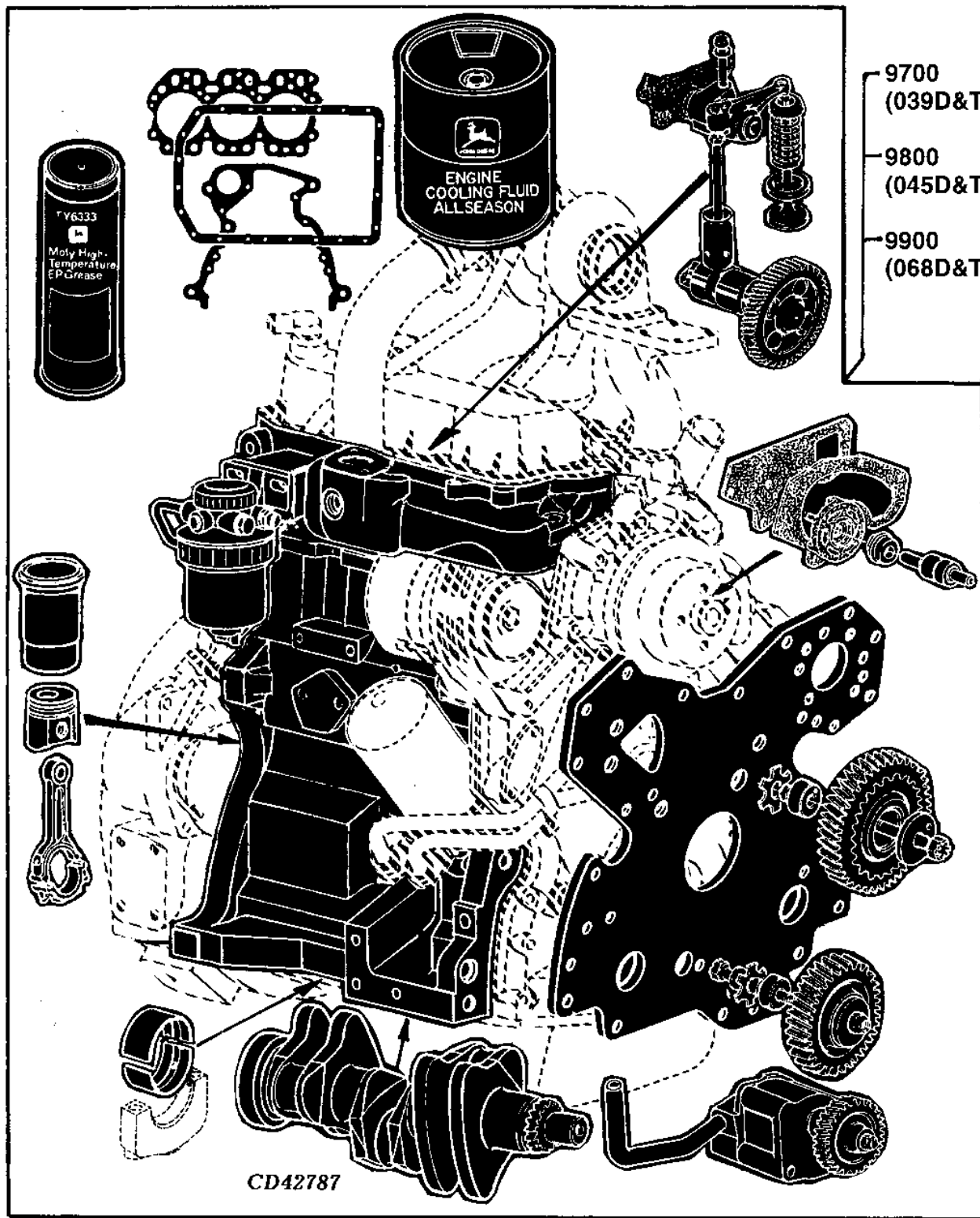
1100 -	1B2
1100 -	1B3
1200 -	1B8
1200 -	1B9
1300 -	1B14
1300 -	1B15
1400 -	1B20
1500 -	1C2
1600 -	1C6
1700 -	1C21
1900 -	1D3
1900 -	1D4
2000 -	1D10
2000 -	1D11
2100 -	1D17
2100 -	1D18
2200 -	1E2
2200 -	1E3
2300 -	1E7
2300 -	1E8
2400 -	1E12
2400 -	1E13
2500 -	1E18
2800 -	1F2
2900 -	1F7
2900 -	1F8
3000 -	1F12
3100 -	1F18
3700 -	1G2
3900 -	1G6
4000 -	1G9
4000 -	1G10
4300 -	1G15
4400 -	1G19
4400 -	1G20
4500 -	1H3
5600 -	1H7
5700 -	1H10
5900 -	1H13
5900 -	1H14
6200 -	1I2
6200 -	1I3
6400 -	1I9
6400 -	1I10
6500 -	1I16
6600 -	1J3
6800 -	1J7
7600 -	1J10
8600 -	1J13
8700 -	1J17
8800 -	1J20
9700 -	1K3
9800 -	2B3
9900 -	2C11



CD42786

PRIMARY PICTORIAL INDEX

CD42787 -UN-22FEB99



CD42787

- 9700 (039D&T)
- 9800 (045D&T)
- 9900 (068D&T)

1100 -	1B2
1100 -	1B3
1200 -	1B8
1200 -	1B9
1300 -	1B14
1300 -	1B15
1400 -	1B20
1500 -	1C2
1600 -	1C6
1700 -	1C21
1900 -	1D3
1900 -	1D4
2000 -	1D10
2000 -	1D11
2100 -	1D17
2100 -	1D18
2200 -	1E2
2200 -	1E3
2300 -	1E7
2300 -	1E8
2400 -	1E12
2400 -	1E13
2500 -	1E18
2800 -	1F2
2900 -	1F7
2900 -	1F8
3000 -	1F12
3100 -	1F18
3700 -	1G2
3900 -	1G6
4000 -	1G9
4000 -	1G10
4300 -	1G15
4400 -	1G19
4400 -	1G20
4500 -	1H3
5600 -	1H7
5700 -	1H10
5900 -	1H13
5900 -	1H14
6200 -	1I2
6200 -	1I3
6400 -	1I9
6400 -	1I10
6500 -	1I16
6600 -	1J3
6800 -	1J7
7600 -	1J10
8600 -	1J13
8700 -	1J17
8800 -	1J20
9700 -	1K3
9800 -	2B3
9900 -	2C11



## CODES USED IN "REMARKS" COLUMN

LVP454 -UN-23SEP94

	ENGLISH	FRANCAIS	DEUTSCH
ALSO ORDER	ALSO ORDER	COMMANDER AUSSI	EBENSO BESTELLEN
AMP	AMPERE	AMPERE	AMPERE
AND	AND	ET	UND
APPL	THIS APPLICATION ONLY	UNIQUEMENT POUR CETTE UTILISATION	NUR FUR DIESE ANWENDUNG
AR	AS REQUIRED	SELON LE BESOIN	NACH BEDARF
ASSY	COMPLETE ASSEMBLY	ENSEMBLE COMPLET	KOMPLETTE BAUGRUPPE
COMPLETE	COMPLETE	COMPLET	VOLLSTANDIG
FRONT	FRONT	AVANT	VORN
HP	HORSEPOWER	PUISSANCE EN CH	PFERDESTARKE
ID	INSIDE DIAMETER	DIAMETRE INTERIEUR	INNENDURCHMESSER
INCL KEYS	INCLUDES KEYS	COMPREND LES REPERES...	EINSCHLIEBLICH TEILE
KIT	KIT	JEU DE PIECES	TEILESATZ
LGTH	LENGTH	LONGUEUR	LANGE
LH	LEFT-HAND	GAUCHE	LINKS
LOW	LOWER	INFERIEUR	UNTEN
MARKED	MARKED	MARQUE	MARKIERT
MF	MAKE FROM	REALISER AVEC	HERSTELLEN VON
MFWD	MECHANICAL FRONT WHEEL DRIVE	TRACTION AVANT MECANIQUE	MECHANISCHER FRONTRADANTRIEB
NA	NOT USED THIS APPLICATION	NE SERT PAS POUR CETTE APPLICATION	IN DIESER ANWENDUNG NICHT BENUTZT
NLA	NO LONGER AVAILABLE	EPUISE	NICHT MEHR LIEFERBAR
NSEP	NOT SUPPLIED SEPARATELY	NON LIVRE SEPARMENT	EINZELN NICHT LIEFERBAR
OD	OUTSIDE DIAMETER	DIAMETRE EXTERIEUR	AUBENDURCHMESSER
OR	OR	OU	ODER
ORD	ORDER	COMMANDER	BESTELLE
OS	OVERSIZE	SURDIMENSIONNE	UEBERGROSSE
PKG	PACKAGE	PAR PAQUET DE	VERPACKT ZU
REAR	REAR	ARRIERE	HINTEN
RH	RIGHT-HAND	DROIT	RECHTS
STD	STANDARD	STANDARD	STANDARD
SUB	REPLACED BY	REPLACE PAR	ERSETZT DURCH
SUB FOR	SUBSTITUTES FOR	REPLACE	ERSATZ FUR
TK	THICKNESS	EPAISSEUR	STARKE
UP	UPPER	SUPERIEUR	OBEN
US	UNDERSIZE	SOUS-DIMENSIONNE	UNTERGROSSE
USE WITH	USE WITH	A UTILISER AVEC	BENUTZEN MIT
W /	WITH	AVEC	MIT
W/O	WITHOUT	SANS	OHNE
Z	GEAR AND SPROCKET TEETH NUMBER	NOMBRE DE DENTS DES PIGNONS	ZAHNEZAHL FUR KETTEN-UND ZAHNRAD

LVP454

## CODES USED IN "REMARKS" COLUMN

CD42164 -UN-13FEB98

	ITALIANO	ESPAÑOL	SVENSKA
ALSO ORDER	ORDINARE ANCHE	PEDIR TAMBIEN	BESTALL AVEN
AMP	AMPERE	AMPERIO	AMPERE
AND	E	Y	OCH
APPL	SOLO PER QUESTO IMPIEGO	TAN SOLO PARA ESTE PROPOSITO	ENDAST FOR DENNA ANVANDNING
AR	SECONDO NECESSITA	SEGUN NECESIDAD	VID BEHOV
ASSY	GRUPPO COMPLETO	CONJUNTO COMPLETO	KOMPLETT SATS
COMPLETE	COMPLETO	COMPLETO	FULLSTANDIG
FRONT	ANTERIORE	FRENTE	FRAM
HP	POTENZA IN CAVALLI	POTENCIA	HASTKRAFT
ID	DIAMETRO INTERNO	DIAMETRO INTERIOR	INRE DIAMETER
INCL KEYS	CHIAVETTE INCLUSE	INCLUYE LAS POSICIONES	INKLUSIVE NYCKLAR
KIT	SERIE PEZZI	JUEGO	SATS
LGTH	LUNGHEZZA	LONGITUD	LANGD
LH	SINISTRA	IZQUIERDA	VANSTER SIDA
LOW	INFERIORE	MAS BAJO	NEDRE
MARKED	MARCATO	MARCADO	MARKT
MF	FABBRICARE DI	HACER DE	TILLVERKA AV
MFWD	TRAZIONE ANTERIORE MECCANICA	TRACCION DELANTERA MECANICA	MEKANISK FRAMHJULSDRIFT
NA	NON USATO IN QUESTA APPLICAZIONE	NO SE USA EN ESTA APLICACION	EJ ANVAND I DETTA SAMMANHANG
NLA	NON PIU' DISPONIBILE	DESCONTINUADO	EJ LANGRE TILLGANGLIG
NSEP	NON FORNITO SEPARATAMENTE	NO SE SUMINISTRA POR SEPARADO	KAN EJ ERHALLAS SEPARAT
OD	DIAMETRO ESTERNO	DIAMETRO EXTERIOR	YTTRE DIAMETER
OR	OPPURE	O	ELLER
ORD	ORDINARE	PIDASE	ORDER, REKVISITION
OS	EXTRA GRANDE	SOBRETAMANO	OEVERDIMENSIONERAD
PKG	IN CONFEZIONE DA	POR PAQUETE DE	I SATS ELLER PAKET
REAR	POSTERIORE	TRASERO	BAK, BAKRE
RH	DESTRA	DERECHA	HOGER
STD	STANDARD	NORMAL	STANDARD
SUB	SOSTITUITO PER	SUSTITUIDO POR	ERSATT MED
SUB FOR	SOSTITUISCE	SUSTITUCION PARA	ERSATTER
TK	SPESSORE	ESPESOR	TJOCKLEK
UP	SUPERIORE	SUPERIOR	OEVRE
US	EXTRA PICCOLO	SUBTAMANO	UNDERDIMENSIONERAD
USE WITH	USARE CON	USAR CON	ANVAND MED
W /	CON	CON	MED, INKLUSIVE
W/O	SENZA	SIN	UTAN, EXKLUSIVE
Z	NO. DENTI CORONA O PIGNONE	NUMERO DE DIENTES DE LOS ENGRANAJES	ANTAL TANDER PA DREV OCH KUGGHJUL

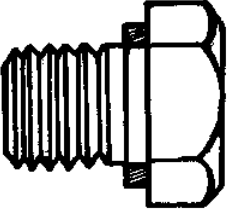
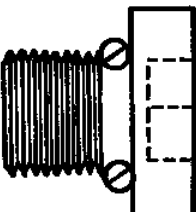
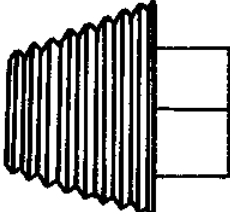
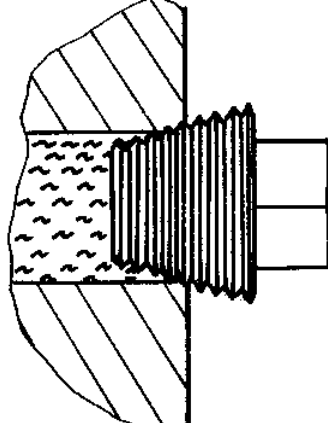
CD42164

# 1A11

GENSET POWER UNITS CD4039/4045/6068 ENGINES

ENGINE INFORMATION

CD39701A -UN-20FEB96

<p><b>PLUG, FITTING</b>  <b>BOUCHON,RACCORD</b>  <b>STOPFEN,FITTING</b>  <b>TAPPO,RACCORDO</b>  <b>TAPON,CONEXION</b>  <b>PLUGG, KOPPLING</b></p>	<p><b>STANDARD THREAD</b>  <b>PAS STANDARD</b>  <b>STANDARD STEIGUNG</b>  <b>PASSO STANDARD</b>  <b>PASSO ESTANDARD</b>  <b>STANDARD GAENGA</b></p>	<p><b>FINE THREAD</b>  <b>PAS FIN</b>  <b>FEINE STEIGUNG</b>  <b>PASSO FINO</b>  <b>PASSO FINO</b>  <b>FIN GAENGA</b></p>
<p><b>CYLINDRICAL THREAD</b>   <b>FILETAGE CYLINDRIQUE</b>   <b>ZYLINDRISCHES GEWINDE</b>   <b>FILETTATURA CILINDRICA</b>   <b>ROSCADO CILINDRICO</b>   <b>CYLINDRISK GAENGA</b></p>	 <p><b>A = UNC</b></p>	 <p><b>A = UNF / UNEF</b></p>
<p><b>TAPPERED THREAD</b>   <b>FILETAGE CONIQUE</b>   <b>KONISCHES GEWINDE</b>   <b>FILETTATURA CONICA</b>   <b>ROSCADO CONICO</b>   <b>KONISK GAENGA</b></p>	 <p><b>A = NPT</b></p>	<p><b>WATER,OIL / EAU,HUILE /</b>  <b>WASSER,OEL / ACGUA,OLIO /</b>  <b>AGUA,ACEITE / VATTEN,OLJA</b></p>  <p><b>A = NPTF</b></p>

CD39701A

## SERIAL NUMBER LISTING INFORMATION

SERIAL NUMBER INFORMATION IS LISTED TO SHOW ON WHICH MACHINES EACH PART CAN BE USED. FOR EXAMPLE:

- THE PART CAN BE USED ON ALL MACHINES.
- 000000 THE PART CAN BE USED ON ALL MACHINES UP TO AND INCLUDING THE SERIAL NUMBER.
- 000000- THE PART CAN BE USED ON ALL MACHINES BEGINNING WITH THE SERIAL NUMBER LISTED.
- 000000-000000 THE PART CAN BE USED ON ALL MACHINES BETWEEN AND INCLUDING THE SERIAL NUMBERS LISTED.

WHEN XXXXXX'S ARE LISTED IN PLACE OF SERIAL NUMBERS, A SERIAL NUMBER CHANGE WAS MADE BUT THE EXACT SERIAL NUMBER WAS NOT AVAILABLE WHEN THE CATALOG WAS PRODUCED.

## BOX-ENCLOSED ILLUSTRATIONS

A KEY NUMBER, SHOWN IN THE PARTS LIST, IS ASSIGNED TO A BOX ENCLOSING ALL PARTS SOLD AS A SERVICE ASSEMBLY.

A BOX NOT KEYED INCLUDES NON-CURRENT PARTS.

## CHANGE INDICATOR LINE (MICROFICHE PARTS CATALOGS ONLY)

CHANGES AFFECTING THE ORDERING OF PARTS ARE IDENTIFIED BY VERTICAL LINES MARKED IN THE LEFT-HAND MARGIN OF REVISED PARTS LISTING IMAGES. A LINE IS ALSO AT THE LEFT-HAND EDGE OF THE SAME PART NUMBER IN THE NUMERICAL INDEX TO SHOW THE LOCATION OF REVISED INFORMATION.

## BOLT AND CAP SCREW STRENGTH IDENTIFICATION

INCH DIMENSIONED PRODUCT: BOLTS AND CAP SCREWS REQUIRED TO HAVE HIGH-STRENGTH QUALITIES EQUIVALENT TO SAE GRADE 8 ARE IDENTIFIED THROUGHOUT THIS CATALOG BY THE DESCRIPTION SAE 8. ALL STANDARD BOLTS AND CAP SCREWS WHICH ARE SAE GRADE 5 OR LOWER ARE NOT INDICATED.

METRIC DIMENSIONED PRODUCT: BOLTS AND CAP SCREWS REQUIRED TO HAVE HIGH-STRENGTH QUALITIES EQUIVALENT TO PROPERTY CLASS 10.9 OR HIGHER ARE IDENTIFIED THROUGHOUT THIS CATALOG BY THE DESCRIPTION 10.9, 12.9 & 14.9. ALL STANDARDS BOLTS AND CAP SCREWS WHICH ARE PROPERTY CLASS 8.8 OR LOWER ARE NOT INDICATED.

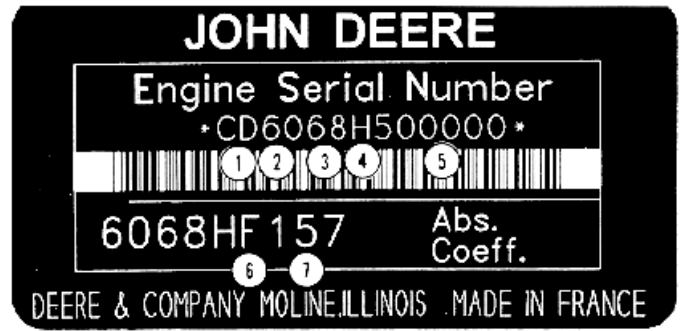
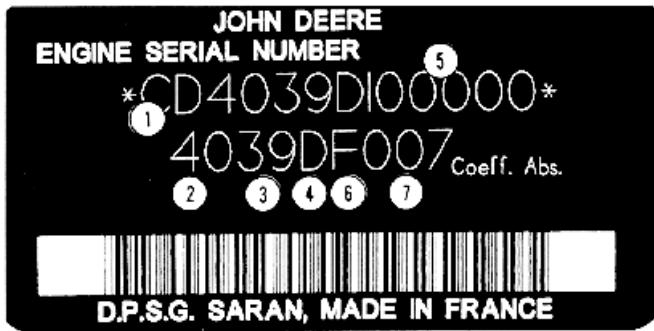
## ENGINE GROUPING INFORMATION

ENGINES IN THIS CATALOG ARE MANUFACTURED IN SARAN, THESE ENGINES COULD BE NATURALLY-ASPIRATED DIESEL OR TURBOCHARGED DIESEL OR AIR TO AIR INTERCOOLED.

TO ASSIST YOUR DEALER IN GIVING YOU PROMPT AND EFFICIENT SERVICE REFER TO THE ENGINE SERIAL NUMBER PLATE FOR PROPER ENGINE TYPE IDENTIFICATION.

## ENGINE SERIAL NUMBER PLATE

CD42700 -UN-25NOV98



CD42700

- |  |  |
|--|--|
| <ol style="list-style-type: none"> <li>1. DESIGNATES ENGINE MANUFACTURER</li> <li>2. DESIGNATES NUMBER OF CYLINDERS</li> <li>3. DESIGNATES TOTAL DISPLACEMENT (IN LITER)</li> <li>4. DESIGNATES THE TYPE OF ASPIRATION</li> <li>5. DESIGNATES ENGINE SERIAL NUMBER</li> <li>6. DESIGNATES ENGINE USER</li> <li>7. DESIGNATES ENGINE VERSION</li> </ol> | <p>CD - JOHN DEERE SARAN<br/>4 OR 6<br/>039 (3.9 L) (BORE 106.5MM X STROKE 110MM)<br/>045 (4.5 L) (BORE 106.5MM X STROKE 127MM)<br/>068 (6.8 L) (BORE 106.5MM X STROKE 127MM)<br/>D - NATURALLY ASPIRATED DIESEL<br/>T - TURBOCHARGED DIESEL<br/>H - AIR TO AIR INTERCOOLER<br/>123456 (SIX DIGITS)<br/>F (OEM)<br/>007 (THREE DIGITS)(CD4039DF007 OR CD4039TF007)<br/>157 (THREE DIGITS)(CD4045TF157 OR CD4045HF157)<br/>157 (THREE DIGITS)(CD6068TF157 OR CD6068HF157)</p> |
|--|--|

## ENGINE OPTION CODE LABEL

CD30524 -UN-27MAY98



## ENGINE OPTION CODES

IN ADDITION TO THE SERIAL NUMBER PLATE, OEM ENGINES HAVE AN ENGINE OPTION CODE LABEL AFFIXED TO THE ROCKER ARM COVER.

THESE CODES INDICATES WHICH OF THE ENGINE OPTIONS WERE INSTALLED ON YOUR ENGINE AT THE FACTORY. WHEN IN NEED OF PARTS OR SERVICE, FURNISH YOUR AUTHORIZED SERVICING DEALER OR ENGINE DISTRIBUTOR WITH THESE NUMBERS.

THE FIRST TWO DIGITS OF EACH CODE IDENTIFY A SPECIFIC GROUP, SUCH AS AN ALTERNATOR. THE TWO LAST DIGITS OF EACH CODE IDENTIFY ONE SPECIFIC OPTION PROVIDED ON YOUR ENGINE, SUCH AS A 12 VOLTS, 55 AMPERES ALTERNATOR.

IF AN ENGINE IS ORDERED WITHOUT A PARTICULAR COMPONENT, THE LAST TWO DIGITS OF THAT FUNCTIONAL GROUP OPTION CODE WILL BE 9.

**NOTE:**

*BASIC ENGINE PARTS (WITHOUT OPTION CODE) ARE INCLUDED*

*SECTION 9700 (CD4039DF007 & CD4039TF007)*

*SECTION 9800 (CD4045TF157 & CD4045HF157)*

*SECTION 9900 (CD6068TF157 & CD6068HF157)*

## ORDERABLE OPTION CODES FOR ENGINE MODEL(S)

*CD4039DF007**CD4039TF007*

1104  
1299  
1317  
1421  
1505  
16KG (FORMER 1641)  
1703  
1908  
2026  
2109  
2204  
2308  
2408  
2501  
2803  
2904  
3009  
3106  
3704  
3909  
4003  
4399  
4499  
5602  
5999  
6218  
6410  
  
6608  
7622

1104  
1299  
1317  
1421  
1505  
16KH (FORMER 1641)  
1735  
1908  
2027  
2112  
2204  
2308  
2408  
2501  
2803  
2904  
3009  
3106  
3704  
3909  
4003  
4399  
4499  
5602  
5906  
6218  
6411  
6576  
6608  
7622

## BASIC ENGINE PARTS (WITHOUT OPTION CODES)

SECTION 9700

SECTION 9700

# 1A16

GENSET POWER UNITS CD4039/4045/6068 ENGINES

## ORDERABLE OPTION CODES FOR ENGINE MODEL(S)

### *CD4045TF157*

1101  
1299  
1301  
1433 (FORMER 1403/1404)  
1503  
16GQ  
1740  
1949  
2002  
2101  
2201  
2312  
2409  
2507  
2803  
2904  
3052  
3115  
3702  
4017  
4399  
4401  
5602  
5702  
5901  
6201  
6412  
6577  
6609  
7622  
8604  
8702  
8806

### *CD4045HF157*

1101  
1299  
1301  
1433 (FORMER 1403/1404)  
1503  
16GR  
1712  
1949  
2002  
2101  
2201  
2312  
2409  
2507  
2803  
2904  
3052  
3115  
3702  
4017  
4399  
4401  
5602  
5702  
5901  
6201  
6413  
6503  
6609  
7622  
8604  
8702  
8806

## BASIC ENGINE PARTS (WITHOUT OPTION CODES)

*SECTION 9800*

*SECTION 9800*



## ORDERABLE OPTION CODES FOR ENGINE MODEL(S)

*CD6068TF157*

1102  
1299  
1308  
1433 (FORMER 1403/1404)  
1503  
16GS  
1748  
1950  
2001  
2101  
2201  
2312  
2419  
2508  
2808  
2904  
3052  
3115  
3702  
4017  
4399  
4403  
5602  
5702  
5902  
6201  
6413  
6578  
6609  
6803  
7622  
8610  
8702  
8806

*CD6068HF157*

1102  
1299  
1308  
1433 (FORMER 1403/1404)  
1503  
16GT  
1712  
1950  
2001  
2101  
2201  
2312  
2419  
2508  
2808  
2904  
3052  
3115  
3702  
4017  
4399  
4403  
5602  
5702  
5902  
6201  
6413  
6579  
6609  
6803  
7622  
8610  
8702  
8806

## BASIC ENGINE PARTS (WITHOUT OPTION CODES)

*SECTION 9900**SECTION 9900*

## ALPHABETICAL INDEX

GRID		PAGE	GRID		PAGE			
<b>A</b>								
1J22	ADAPTER, COOLANT LINES (8806)	8800-8806A	1K13	CONNECTING ROD/BEARINGS (9709) (039D&T)	9700-9709			
1111	ADAPTER, EXHAUST (6410)	6400-6410	1L1	COOLANT (9722) (039D&T)	9700-9722			
1112	ADAPTER, EXHAUST (6411)	6400-6411	2C1	COOLANT (9823) (045T&H)	9800-9823			
1113	ADAPTER, EXHAUST (6412)	6400-6412	1J22	COOLANT LINES, ADAPTER (8806)	8800-8806A			
1114	ADAPTER, EXHAUST (6413)	6400-6413	2D9	COOLANT, ENGINE (9923) (068T&H)	9900-9923			
1J21	ADAPTER,OIL FILTER (HIGH POSITION)(8806)	8800-8806	1H15	COOLER, OIL (5901)	5900-5901			
117	ADJUSTING STRAP, ALTERNATOR (6218)	6200-6218A	1H17	COOLER, OIL (5902)	5900-5902			
1F19	ALTERNATOR (3106)	3100-3106	1D19	COVER, THERMOSTAT (2101)	2100-2101			
1F21	ALTERNATOR (3115)	3100-3115	1D20	COVER, THERMOSTAT (2109)	2100-2109			
117	ALTERNATOR ADJUSTING STRAP (6218)	6200-6218A	1D21	COVER, THERMOSTAT (2112)	2100-2112			
115	ALTERNATOR BRACKET (LOWER) (6201)	6200-6201A	1G21	COVER, TIMING GEAR (4401)	4400-4401			
114	ALTERNATOR BRACKET (UPPER) (6201)	6200-6201	1G23	COVER, TIMING GEAR (4403)	4400-4403			
116	ALTERNATOR BRACKETS (LOWER) (6218)	6200-6218	1G25	COVER, TIMING GEAR (4499)	4400-4499			
1F20	ALTERNATOR COMPONENTS (3106)	3100-3106A	1B4	COVER, VALVE (1101)	1100-1101			
1F22	ALTERNATOR COMPONENTS (3115)	3100-3115A	1B5	COVER, VALVE (1102)	1100-1102			
114	ALTERNATOR SHIELD (6201)	6200-6201	1B12	COVER, W/O OIL FILLER NECK (LH) - 270	1200-1299B			
1J18	AUTOMATIC BELT TENSIONER (8702)	8700-8702	2B15	CRANKSHAFT / BEARINGS (9811) (045T&H)	9800-9811			
<b>B</b>								
1H4	BALANCER SHAFT (4501) (EARLY DESIGN)	4500-4501	2C23	CRANKSHAFT / BEARINGS (9911) (068T&H)	9900-9911			
1H5	BALANCER SHAFT (4501) (LATE DESIGN)	4500-4501A	1K15	CRANKSHAFT / BEARINGS - KIT (UNDERSIZED) (9711) (039D&T)	9700-9711			
1K8	BEARING, THRUST (CRANKSHAFT) (9704) (039D&T)	9700-9704	1K14	CRANKSHAFT / BEARINGS, KIT (9710) (039D&T)	9700-9710			
1K8	BEARINGS (CRANKSHAFT) (9704) (039D&T)	9700-9704	1B16	CRANKSHAFT PULLEY (1301)	1300-1301			
2B15	BEARINGS / CRANKSHAFT (9811) (045T&H)	9800-9811	1B17	CRANKSHAFT PULLEY (1308)	1300-1308			
2C23	BEARINGS / CRANKSHAFT (9911) (068T&H)	9900-9911	1B18	CRANKSHAFT PULLEY (1317)	1300-1317			
1K15	BEARINGS / CRANKSHAFT - KIT (UNDERSIZED) (9711) (039D&T)	9700-9711	2B8	CYLINDER BLOCK (9804) (045T&H)	9800-9804			
1K14	BEARINGS / CRANKSHAFT, KIT (9710) (039D&T)	9700-9710	2C16	CYLINDER BLOCK (9904) (068T&H)	9900-9904			
2B14	BEARINGS/ CONNECTING ROD (9810) (045T&H)	9800-9810	1K10	CYLINDER BLOCK, KIT (9706) (039D&T)	9700-9706			
2C22	BEARINGS/ CONNECTING ROD (9910) (068T&H)	9900-9910	1K6	CYLINDER HEAD (9702) (039D&T)	9700-9702			
1K13	BEARINGS/CONNECTING ROD (9709) (039D&T)	9700-9709	2B6	CYLINDER HEAD (9802) (045T&H)	9800-9802			
1E14	BELT (2408)	2400-2408	2C14	CYLINDER HEAD (9902) (068T&H)	9900-9902			
1E15	BELT (2409)	2400-2409	2B23	CYLINDER HEAD REMOVAL GASKET SET (9820) (045T&H)	9800-9820			
1E16	BELT (2419)	2400-2419	1K12	CYLINDER LINER (9708) (039D&T)	9700-9708			
1J18	BELT, AUTOMATIC TENSIONER (8702)	8700-8702	2B13	CYLINDER LINER (9809) (045T&H)	9800-9809			
2B8	BLOCK, CYLINDER (9804) (045T&H)	9800-9804	2C21	CYLINDER LINER (9909) (068T&H)	9900-9909			
2C16	BLOCK, CYLINDER (9904) (068T&H)	9900-9904	<b>D</b>					
2B10	BLOCK, SHORT ASSEMBLY (9806) (045T&H)	9800-9806	1J8	DAMPENER, TORSIONAL (6803)	6800-6803			
2C18	BLOCK, SHORT ASSEMBLY (9906) (068T&H)	9900-9906	1G11	DIPSTICK, OIL (4003)	4000-4003			
1E19	BLOWER FAN (2501)	2500-2501	1G12	DIPSTICK, OIL (4017)	4000-4017			
1E20	BLOWER FAN (2507)	2500-2507	1E9	DRIVE, FAN (2308)	2300-2308			
1E21	BLOWER FAN (2508)	2500-2508	1E10	DRIVE, FAN (2312)	2300-2312			
115	BRACKET (LOWER) ALTERNATOR (6201)	6200-6201A	1E15	DRIVE, FAN (2409)	2400-2409			
114	BRACKET (UPPER) ALTERNATOR (6201)	6200-6201	<b>E</b>					
116	BRACKETS (LOWER) ALTERNATOR (6218)	6200-6218	2D9	ENGINE COOLANT (9923) (068T&H)	9900-9923			
1F9	BREATHER (039D&T)	2900-2904	1I11	EXHAUST ADAPTER (6410)	6400-6410			
1F10	BREATHER (045T&H, 068T&H)	2900-2904A	1I12	EXHAUST ADAPTER (6411)	6400-6411			
<b>C</b>								
1K9	CAMSHAFT (9705) (039D&T)	9700-9705	1I13	EXHAUST ADAPTER (6412)	6400-6412			
2B12	CAMSHAFT (9808) (045T&H)	9800-9808	1I14	EXHAUST ADAPTER (6413)	6400-6413			
2C20	CAMSHAFT (9908) (068T&H)	9900-9908	1F3	EXHAUST MANIFOLD (039D&T)	2800-2803			
1H1	CLOSING FOR TACHOMETER DRIVE (4499)	4400-4499A	1F4	EXHAUST MANIFOLD (045T&H)	2800-2803A			
1F20	COMPONENTS, ALTERNATOR (3106)	3100-3106A	1F5	EXHAUST MANIFOLD (068T&H)	2800-2808			
1F22	COMPONENTS, ALTERNATOR (3115)	3100-3115A	<b>F</b>					
1F14	COMPONENTS, STARTER (3009)	3000-3009A	1E9	FAN DRIVE (2308)	2300-2308			
1F16	COMPONENTS, STARTER (3052)	3000-3052A	1E10	FAN DRIVE (2312)	2300-2312			
2B14	CONNECTING ROD/ BEARINGS (9810) (045T&H)	9800-9810	1E15	FAN DRIVE (2409)	2400-2409			
2C22	CONNECTING ROD/ BEARINGS (9910) (068T&H)	9900-9910	1J14	FAN SHEAVE (8604)	8600-8604			
			1J15	FAN SHEAVE (8610)	8600-8610			

## ALPHABETICAL INDEX - CONTINUED

GRID	PAGE	GRID	PAGE
1E19	FAN,BLOWER (2501).....	2500 - 2501	
1E20	FAN,BLOWER (2507).....	2500 - 2507	
1E21	FAN,BLOWER (2508).....	2500 - 2508	
2C3	FILTER HEAD / FUEL FILTER - KIT (9825) (045T&H).....	9800 - 9825	
2D11	FILTER HEAD / FUEL FILTER - KIT (9925) (068T&H).....	9900 - 9925	
1L2	FILTER, FUEL (9723) (039D&T).....	9700 - 9723	
2C2	FILTER, FUEL (9824) (045T&H).....	9800 - 9824	
2D10	FILTER, FUEL (9924) (068T&H).....	9900 - 9924	
1G11	FILTER, OIL (4003).....	4000 - 4003	
1J21	FILTER, OIL (8806).....	8800 - 8806	
1B21	FLYWHEEL HOUSING (1403).....	1400 - 1403	
1B22	FLYWHEEL HOUSING (1404).....	1400 - 1404	
1B23	FLYWHEEL HOUSING (1421).....	1400 - 1421	
1B24	FLYWHEEL HOUSING (1433).....	1400 - 1433	
1C3	FLYWHEEL HOUSING (1503).....	1500 - 1503	
1C4	FLYWHEEL HOUSING (1505).....	1500 - 1505	
1K17	FRONT PLATE (9713) (039D&T).....	9700 - 9713	
2B16	FRONT PLATE (9812) (045T&H).....	9800 - 9812	
2C24	FRONT PLATE (9912) (068T&H).....	9900 - 9912	
1L4	FUEL FILTER (BLEED PLUG AND DRAIN VALVE) (9739) (039D&T).....	9700 - 9725	
2C4	FUEL FILTER (BLEED PLUG AND DRAIN VALVE) (9826) (045T&H).....	9800 - 9826	
2D12	FUEL FILTER (BLEED PLUG AND DRAIN VALVE) (9926) (068T&H).....	9900 - 9926	
1L4	FUEL FILTER (FILTER ELEMENT) (9739) (039D&T).....	9700 - 9725	
2C4	FUEL FILTER (FILTER ELEMENT) (9826) (045T&H).....	9800 - 9826	
2D12	FUEL FILTER (FILTER ELEMENT) (9939) (068T&H).....	9900 - 9926	
1L3	FUEL FILTER (FILTER HEAD) (9724) (039D&T).....	9700 - 9724	
1L7	FUEL FILTER (FUEL PREHEATER, ACCESSORY) (9728) (039D&T).....	9700 - 9728	
2C7	FUEL FILTER (FUEL PREHEATER, ACCESSORY) (9829) (045T&H).....	9800 - 9829	
2D15	FUEL FILTER (FUEL PREHEATER, ACCESSORY) (9929) (068T&H).....	9900 - 9929	
1L6	FUEL FILTER (HAND PRIMER, ACCESSORY) (9727) (039D&T).....	9700 - 9727	
2C6	FUEL FILTER (HAND PRIMER, ACCESSORY) (9828) (045T&H).....	9800 - 9828	
2D14	FUEL FILTER (HAND PRIMER, ACCESSORY) (9928) (068T&H).....	9900 - 9928	
1L3	FUEL FILTER (MECHANICAL PARTS) (9724) (039D&T).....	9700 - 9724	
1L5	FUEL FILTER (MECHANICAL PARTS) (9726) (039D&T).....	9700 - 9726	
2C5	FUEL FILTER (MECHANICAL PARTS) (9827) (045T&H).....	9800 - 9827	
2D13	FUEL FILTER (MECHANICAL PARTS) (9927).....	9900 - 9927	
1L5	FUEL FILTER (SEAL KIT) (9726) (039D&T).....	9700 - 9726	
2C5	FUEL FILTER (SEAL KIT) (9827) (045T&H).....	9800 - 9827	
2D13	FUEL FILTER (SEAL KIT) (9927).....	9900 - 9927	
1L8	FUEL FILTER (SEDIMENT BOWL, ACCESSORY) (9729) (039D&T).....	9700 - 9729	
2C8	FUEL FILTER (SEDIMENT BOWL, ACCESSORY) (9830).....	9800 - 9830	
2D16	FUEL FILTER (SEDIMENT BOWL, ACCESSORY) (9930) (068T&H).....	9900 - 9930	
1L2	FUEL FILTER (9723) (039D&T).....	9700 - 9723	
2C2	FUEL FILTER (9824) (045T&H).....	9800 - 9824	
2D10	FUEL FILTER (9924) (068T&H).....	9900 - 9924	
2C3	FUEL FILTER / FILTER HEAD - KIT (9825) (045T&H).....	9800 - 9825	
2D11	FUEL FILTER / FILTER HEAD - KIT (9925) (068T&H).....	9900 - 9925	
1C7	FUEL INJECTION PUMP (16GQ).....	1600 - 16GQ	
1C8	FUEL INJECTION PUMP (16GR).....	1600 - 16GR	
1C9	FUEL INJECTION PUMP (16GS).....	1600 - 16GS	
1C10	FUEL INJECTION PUMP (16GT).....	1600 - 16GT	
1C11	FUEL INJECTION PUMP (16KG).....	1600 - 16KG	
1C12	FUEL INJECTION PUMP (16KH).....	1600 - 16KH	
1C19	FUEL INJECTION PUMP LINKAGE.....	1600 - 1699G	
1C13	FUEL LINES (039D).....	1600 - 1699A	
1C14	FUEL LINES (039T).....	1600 - 1699B	
1C15	FUEL LINES (045T&H).....	1600 - 1699C	
1C16	FUEL LINES (068T&H).....	1600 - 1699D	
1G3	FUEL PUMP (3702).....	3700 - 3702	
1G4	FUEL PUMP (3704).....	3700 - 3704	
<b>G</b>			
1K22	GASKET SET (9718) (039D&T).....	9700 - 9718	
2B23	GASKET SET, CYLINDER HEAD REMOVAL (9820) (045T&H).....	9800 - 9820	
2B21	GASKET SET, OVERHAUL (9818) (045T&H).....	9800 - 9818	
2D4	GASKET SET, OVERHAUL (9918) (068T&H).....	9900 - 9918	
2D6	GASKET SET, TUNE-UP (9920) (068T&H).....	9900 - 9920	
1K24	GASKET, LIQUID (9720) (039D&T).....	9700 - 9720	
2B24	GASKET, LIQUID (9821) (045T&H).....	9800 - 9821	
2D7	GASKET, LIQUID (9921) (068T&H).....	9900 - 9921	
1K19	GEAR, IDLE (LOWER) (9715) (039D&T).....	9700 - 9715	
1K18	GEAR, IDLE (UPPER) 9714) (039D&T).....	9700 - 9714	
2B18	GEAR, IDLE (LOWER) (9814) (045T&H).....	9800 - 9814	
2D1	GEAR, IDLE (LOWER) (9914) (068T&H).....	9900 - 9914	
2B17	GEAR, IDLE (UPPER) (9813) (045T&H).....	9800 - 9813	
2C25	GEAR, IDLE (UPPER) (9913) (068T&H).....	9900 - 9913	
1G16	GLOW PLUG, STARTING AID (4302).....	4300 - 4302	
1K25	GREASE FOR CAMSHAFT BUSHING (9721) (039D&T).....	9700 - 9721	
2B25	GREASE FOR CAMSHAFT BUSHING (9822) (045T&H).....	9800 - 9822	
2D8	GREASE FOR CAMSHAFT BUSHING (9922) (068T&H).....	9900 - 9922	
<b>H</b>			
1K6	HEAD, CYLINDER (9702) (039D&T).....	9700 - 9702	
2B6	HEAD, CYLINDER (9802) (045T&H).....	9800 - 9802	
2C14	HEAD, CYLINDER (9902) (068T&H).....	9900 - 9902	
2C3	HEAD, FUEL FILTER (9825) (045T&H).....	9800 - 9825	
2D11	HEAD, FUEL FILTER (9925) (068T&H).....	9900 - 9925	
1B21	HOUSING, FLYWHEEL (1403).....	1400 - 1403	
1B23	HOUSING, FLYWHEEL (1421).....	1400 - 1421	
1C3	HOUSING, FLYWHEEL (1503).....	1500 - 1503	
1C4	HOUSING, FLYWHEEL (1505).....	1500 - 1505	
1H16	HOUSING, INTERMEDIATE (OIL COOLER / WATER PUMP) (5901).....	5900 - 5901A	
1H18	HOUSING, INTERMEDIATE (OIL COOLER / WATER PUMP) (5902).....	5900 - 5902A	
1G7	HOUSING, THERMOSTAT (3909).....	3900 - 3909	
1B22	HOUSING,FLYWHEEL (1404).....	1400 - 1404	
1B24	HOUSING,FLYWHEEL (1433).....	1400 - 1433	

## ALPHABETICAL INDEX - CONTINUED

GRID		PAGE	GRID		PAGE
<b>I</b>					
1K19	IDDL GEAR (LOWER) (9715) (039D&T)	9700 - 9715	1H15	OIL COOLER (5901)	5900 - 5901
2B18	IDLE GEAR (LOWER) (9814) (045T&H)	9800 - 9814	1H17	OIL COOLER (5902)	5900 - 5902
2D1	IDLE GEAR (LOWER) (9914) (068T&H)	9900 - 9914	1H19	OIL COOLER (5906)	5900 - 5906
1K18	IDLE GEAR (UPPER) (9714) (039D&T)	9700 - 9714	1G11	OIL DIPSTICK (4003)	4000 - 4003
2B17	IDLE GEAR (UPPER) (9813) (045T&H)	9800 - 9813	1G12	OIL DIPSTICK (4017)	4000 - 4017
2C25	IDLE GEAR (UPPER) (9913) (068T&H)	9900 - 9913	1B12	OIL FILLER NECK, W/O, COVER (LH) - 270	1200 - 1299B
1C17	INJECTION NOZZLE (039D&T)	1600 - 1699E	1G11	OIL FILTER (4003)	4000 - 4003
1C18	INJECTION NOZZLE (045T&H/068T&H)	1600 - 1699F	1J21	OIL FILTER (8806)	8800 - 8806
1H11	INLET, WATER PUMP (5702)	5700 - 5702	1J21	OIL FILTER ADAPTER (HIGH POSITION)(8806)	8800 - 8806
1C22	INTAKE MANIFOLD (1703)	1700 - 1703	1I18	OIL LINES, TURBOCHARGER (6503)	6500 - 6503A
1C23	INTAKE MANIFOLD (1712)	1700 - 1712	1I22	OIL LINES, TURBOCHARGER (6577)	6500 - 6577A
1C24	INTAKE MANIFOLD (1735)	1700 - 1735	1I24	OIL LINES, TURBOCHARGER (6578)	6500 - 6578A
1C25	INTAKE MANIFOLD (1740)	1700 - 1740	1J1	OIL LINES, TURBOCHARGER (6579)	6500 - 6579A
1D1	INTAKE MANIFOLD (1748)	1700 - 1748	1D5	OIL PAN (1908)	1900 - 1908
1H16	INTERMEDIATE HOUSING (OIL COOLER / WATER PUMP) (5901)	5900 - 5901A	1D6	OIL PAN (1949)	1900 - 1949
1H18	INTERMEDIATE HOUSING (OIL COOLER / WATER PUMP) (5902)	5900 - 5902A	1D7	OIL PAN (1950)	1900 - 1950
			1D8	OIL PAN, (CONVERSION KIT) (1950)	1900 - 1950A
			2B19	OIL PUMP (9815) (045T&H)	9800 - 9815
			2D2	OIL PUMP (9915) (068T&H)	9900 - 9915
			1K20	OIL PUMP KIT (9716) (039D&T)	9700 - 9716
<b>K</b>					
1K21	KIT FOR WATER PUMP (9717) (039D&T)	9700 - 9717	<b>P</b>		
2B20	KIT FOR WATER PUMP (9816) (045T&H)	9800 - 9816	1H8	PAINT (5602)	5600 - 5602
2D3	KIT FOR WATER PUMP (9916) (068T&H)	9900 - 9916	1D8	PAN, OIL (CONVERSION KIT) (1950)	1900 - 1950A
1K14	KIT, BEARINGS / CRANKSHAFT (9710) (039D&T)	9700 - 9710	1D5	PAN, OIL (1908)	1900 - 1908
1K10	KIT, CYLINDER BLOCK (9706) (039D&T)	9700 - 9706	1D6	PAN, OIL (1949)	1900 - 1949
1K20	KIT, OIL PUMP (9716) (039D&T)	9700 - 9716	1D7	PAN, OIL (1950)	1900 - 1950
1K16	KIT, TIMING GEAR COVER (9712) (039D&T)	9700 - 9712	1K12	PISTON (9708) (039D&T)	9700 - 9708
			2B13	PISTON (9809) (045T&H)	9800 - 9809
			2C21	PISTON (9909) (068T&H)	9900 - 9909
			1K12	PISTON RINGS (9708) (039D&T)	9700 - 9708
			2B13	PISTON RINGS (9809) (045T&H)	9800 - 9809
			2C21	PISTON RINGS (9909) (068T&H)	9900 - 9909
			1K17	PLATE, FRONT (9713) (039D&T)	9700 - 9713
			2B16	PLATE, FRONT (9812) (045T&H)	9800 - 9812
			2C24	PLATE, FRONT (9912) (068T&H)	9900 - 9912
			1G13	PLUG (OIL DIPSTICK) (4017)	4000 - 4017A
			1B16	PULLEY, CRANKSHAFT (1301)	1300 - 1301
			1B17	PULLEY, CRANKSHAFT (1308)	1300 - 1308
			1B18	PULLEY, CRANKSHAFT (1317)	1300 - 1317
			1D12	PULLEY, WATER PUMP (2001)	2000 - 2001
			1D13	PULLEY, WATER PUMP (2002)	2000 - 2002
			1G3	PUMP, FUEL (3702)	3700 - 3702
			1G4	PUMP, FUEL (3704)	3700 - 3704
			1C7	PUMP, FUEL INJECTION (16GQ)	1600 - 16GQ
			1C8	PUMP, FUEL INJECTION (16GR)	1600 - 16GR
			1C9	PUMP, FUEL INJECTION (16GS)	1600 - 16GS
			1C10	PUMP, FUEL INJECTION (16GT)	1600 - 16GT
			2B19	PUMP, OIL (9815) (045T&H)	9800 - 9815
			2D2	PUMP, OIL (9915) (068T&H)	9900 - 9915
			1D14	PUMP, WATER (2026)	2000 - 2026
			1D15	PUMP, WATER (2027)	2000 - 2027
			1G22	PUMP, WATER (4401)	4400 - 4401A
			1G24	PUMP, WATER (4403)	4400 - 4403A
			1C11	PUMP, FUEL INJECTION (16KG)	1600 - 16KG
			1C12	PUMP, FUEL INJECTION (16KH)	1600 - 16KH
			1K5	PUSH ROD (9701) (039D&T)	9700 - 9701
			2B5	PUSH ROD (9801) (045T&H)	9800 - 9801
			2C13	PUSH ROD (9901) (068T&H)	9900 - 9901
<b>L</b>					
1K12	LINER, CYLINDER (9708) (039D&T)	9700 - 9708			
2B13	LINER, CYLINDER (9809) (045T&H)	9800 - 9809			
1C14	LINES, FUEL (039T)	1600 - 1699E			
1C15	LINES, FUEL (045T&H)	1600 - 1699C			
1C16	LINES, FUEL (068T&H)	1600 - 1699D			
1C13	LINES, FUEL (039D)	1600 - 1699A			
1C19	LINKAGE, FUEL INJECTION PUMP	1600 - 1699G			
1K24	LIQUID GASKET (9720) (039D&T)	9700 - 9720			
2B24	LIQUID GASKET (9821) (045T&H)	9800 - 9821			
2D7	LIQUID GASKET (9921) (068T&H)	9900 - 9921			
<b>M</b>					
1F3	MANIFOLD, EXHAUST (039D&T)	2800 - 2803			
1F4	MANIFOLD, EXHAUST (045T&H)	2800 - 2803A			
1F5	MANIFOLD, EXHAUST (068T&H)	2800 - 2808			
1C22	MANIFOLD, INTAKE (1703)	1700 - 1703			
1C23	MANIFOLD, INTAKE (1712)	1700 - 1712			
1D1	MANIFOLD, INTAKE (1748)	1700 - 1748			
1C25	MANIFOLD, INTAKE (1740)	1700 - 1740			
1C24	MANIFOLD, INTAKE (1735)	1700 - 1735			
<b>N</b>					
1B11	NO OIL DIPSTICK (R.H.)	1200 - 1299A			
1B11	NO OIL FILLER NECK (R.H.)	1200 - 1299A			
1C17	NOZZLE, INJECTION (039D&T)	1600 - 1699E			
1C18	NOZZLE, INJECTION (045T&H/068T&H)	1600 - 1699F			

## ALPHABETICAL INDEX - CONTINUED

GRID		PAGE	GRID		PAGE
	<b>R</b>				
1K12	RINGS, PISTON (9708) (039D&T) .....	9700-9708	2B7	VALVE (9803) (045T&H) .....	9800-9803
2B13	RINGS, PISTON (9809) (045T&H) .....	9800-9809	2C15	VALVE (9903) (068T&H) .....	9900-9903
2C21	RINGS, PISTON (9909) (068T&H) .....	9900-9909	1B4	VALVE COVER (1101) .....	1100-1101
1K5	ROCKER ARM (9701) (039D&T) .....	9700-9701	1B5	VALVE COVER (1102) .....	1100-1102
2B5	ROCKER ARM (9801) (045T&H) .....	9800-9801	1B6	VALVE COVER (1104) .....	1100-1104
2C13	ROCKER ARM (9901) (068T&H) .....	9900-9901	1K7	VALVE ROTATOR (9703) (039D&T) .....	9700-9703
1K5	ROCKER ARM SHAFT (9701) (039D&T) .....	9700-9701	2B7	VALVE ROTATOR (9803) (045T&H) .....	9800-9803
2B5	ROCKER ARM SHAFT (9801) (045T&H) .....	9800-9801	2C15	VALVE ROTATOR (9903) (068T&H) .....	9900-9903
2C13	ROCKER ARM SHAFT (9901) (068T&H) .....	9900-9901	1K7	VALVE SEAT (9703) (039D&T) .....	9700-9703
	<b>S</b>		2B7	VALVE SEAT (9803) (045T&H) .....	9800-9803
1J5	SENSOR, WATER TEMPERATURE (6609) .....	6600-6609	2C15	VALVE SEAT (9903) (068T&H) .....	9900-9903
1J4	SENSOR, WATER TEMPERATURE(6608) .....	6600-6608	1K7	VALVE SPRING (9703) (039D&T) .....	9700-9703
1H4	SHAFT, BALANCER (4501) (EARLY DESIGN) .....	4500-4501	2B7	VALVE SPRING (9803) (045T&H) .....	9800-9803
1H5	SHAFT, BALANCER (4501) (LATE DESIGN) .....	4500-4501A	2C15	VALVE SPRING (9903) (068T&H) .....	9900-9903
1J14	SHEAVE, FAN (8604) .....	8600-8604		<b>W</b>	
1J15	SHEAVE, FAN (8610) .....	8600-8610	1D14	WATER PUMP (2026) .....	2000-2026
1I4	SHIELD, ALTERNATOR (6201) .....	6200-6201	1D15	WATER PUMP (2027) .....	2000-2027
2B10	SHORT BLOCK ASSEMBLY (9806) (045T&H) .....	9800-9806	1G22	WATER PUMP (4401) .....	4400-4401A
2C18	SHORT BLOCK ASSEMBLY (9906) (068T&H) .....	9900-9906	1G24	WATER PUMP (4403) .....	4400-4403A
1F13	STARTER (3009) .....	3000-3009	1H11	WATER PUMP INLET (5702) .....	5700-5702
1F15	STARTER (3052) .....	3000-3052	1K21	WATER PUMP KIT (9717) (039D&T) .....	9700-9717
1F14	STARTER COMPONENTS (3009) .....	3000-3009A	2B20	WATER PUMP KIT (9816) (045T&H) .....	9800-9816
1F16	STARTER COMPONENTS (3052) .....	3000-3052A	2D3	WATER PUMP KIT (9916) (068T&H) .....	9900-9916
1G16	STARTING AID, GLOW PLUG (4302) .....	4300-4302	1D12	WATER PUMP PULLEY (2001) .....	2000-2001
1G17	STARTING AID, WITHOUT (4399) .....	4300-4399	1D13	WATER PUMP PULLEY (2002) .....	2000-2002
1J11	SWITCH (OIL) (7622) .....	7600-7622	1J4	WATER TEMPERARURE SENSOR (6608) .....	6600-6608
	<b>T</b>		1J5	WATER TEMPERARURE SENSOR (6609) .....	6600-6609
1H1	TACHOMETER DRIVE, CLOSING (4499) .....	4400-4499A	1B10	WITHOUT OIL FILLER NECK (1299-3.9D/T) .....	1200-1299
1K5	TAPPET (9701) (039D&T) .....	9700-9701	1G17	WITHOUT STARTING AID (4399) .....	4300-4399
2B5	TAPPET (9801) (045T&H) .....	9800-9801			
2C13	TAPPET (9901) (068T&H) .....	9900-9901			
1J18	TENSIONER BELT, AUTOMATIC (8702) .....	8700-8702			
1E4	THERMOSTAT (2201) .....	2200-2201			
1E5	THERMOSTAT (2204) .....	2200-2204			
1D19	THERMOSTAT COVER (2101) .....	2100-2101			
1D20	THERMOSTAT COVER (2109) .....	2100-2109			
1D21	THERMOSTAT COVER (2112) .....	2100-2112			
1G7	THERMOSTAT HOUSING (3909) .....	3900-3909			
1K8	THRUST BEARING (CRANKSHAFT) (9704) (039D&T) .....	9700-9704			
1G21	TIMING GEAR COVER (4401) .....	4400-4401			
1G23	TIMING GEAR COVER (4403) .....	4400-4403			
1G25	TIMING GEAR COVER (4499) .....	4400-4499			
1K16	TIMING GEAR COVER KIT (9712) (039D&T) .....	9700-9712			
1J8	TORSIONAL DAMPENER (6803) .....	6800-6803			
1I17	TURBOCHARGER (6503) .....	6500-6503			
1I19	TURBOCHARGER (6576) .....	6500-6576			
1I21	TURBOCHARGER (6577) .....	6500-6577			
1I23	TURBOCHARGER (6578) .....	6500-6578			
1I25	TURBOCHARGER (6579) .....	6500-6579			
1I18	TURBOCHARGER OIL LINES (6503) .....	6500-6503A			
1I22	TURBOCHARGER OIL LINES (6577) .....	6500-6577A			
1I24	TURBOCHARGER OIL LINES (6578) .....	6500-6578A			
1J1	TURBOCHARGER OIL LINES (6579) .....	6500-6579A			
	<b>V</b>				
1K7	VALVE (9703) (039D&T) .....	9700-9703			

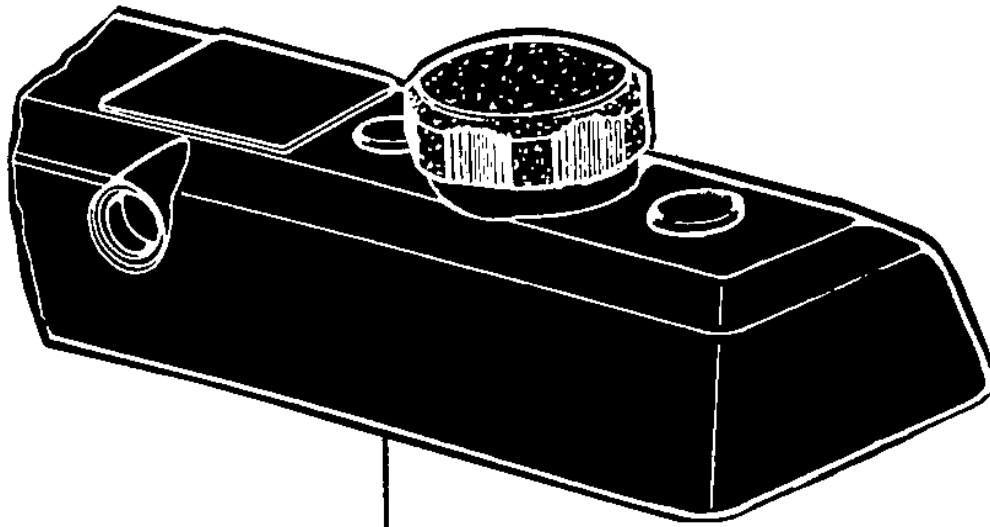
# 1B2

VALVE COVER

SECTIONAL INDEX

CD42701 -UN-11FEB99

1101 -	1B4
1102 -	1B5
1104 -	1B6



**1101 (045T&H)**  
**1102 (068T&H)**

CD42701

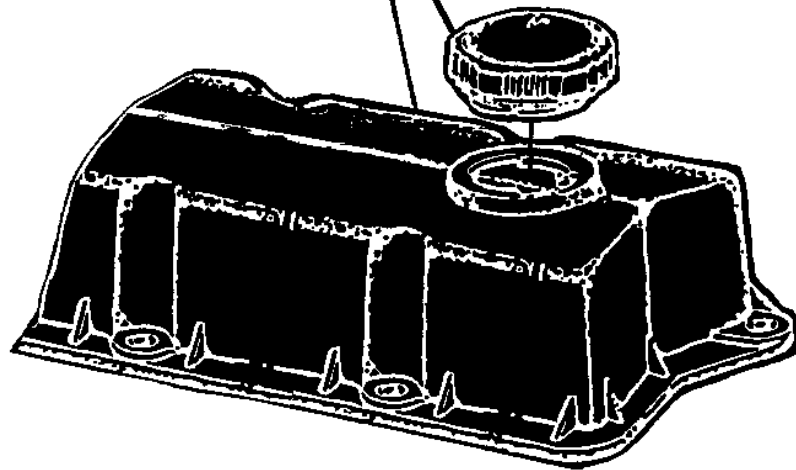
# 1B3

SECTIONAL INDEX

CD42702 -UN-11FEB99

1101 -	1B4
1102 -	1B5
1104 -	1B6

**1104 (039D&T)**



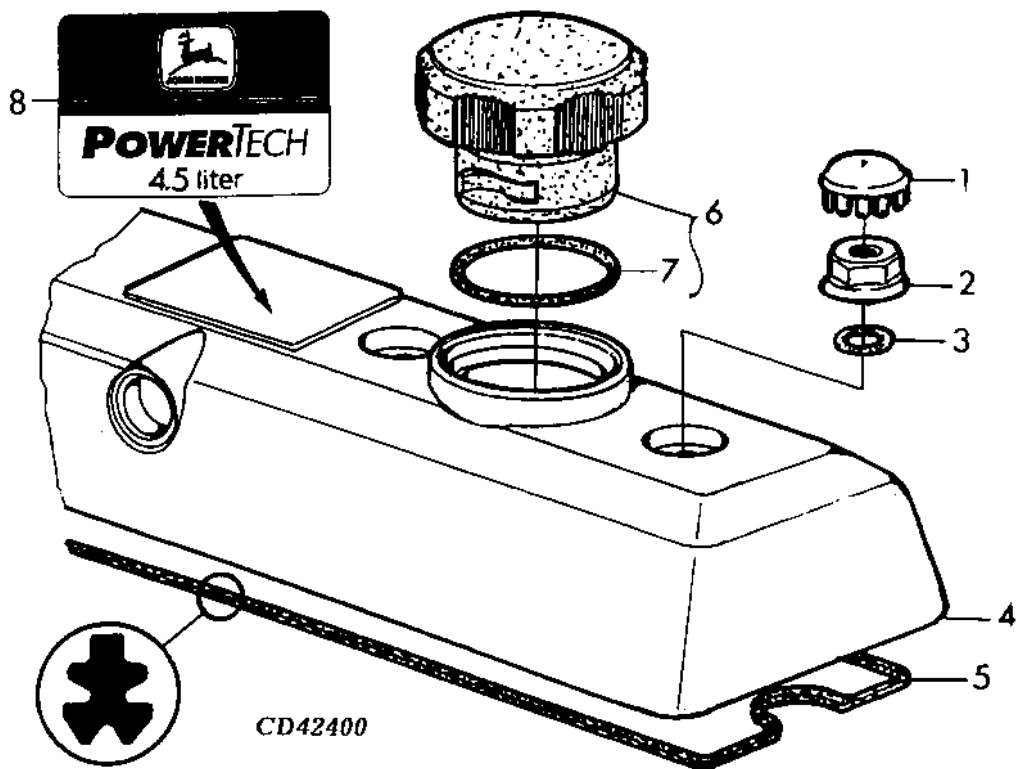
*CD42702*

# 1B4

VALVE COVER

CD42400 -UN-29JAN98

1101



KEY	PART NO.	PART NAME	QTY	ENGINE SERIAL NO.	0 4 5 T & H	REMARKS
1	H23125	PLUG	4		X	
2	R123574	NUT	4		X	
3	R123575	O-RING	4		X	
4	RE70401	VALVE COVER	1		X	
5	R123542	GASKET	1		X	
6	RE500005	FILLER CAP	1		X	
7	R500001	PACKING	1		X	
8	R116324	MEDALLION	1		X	

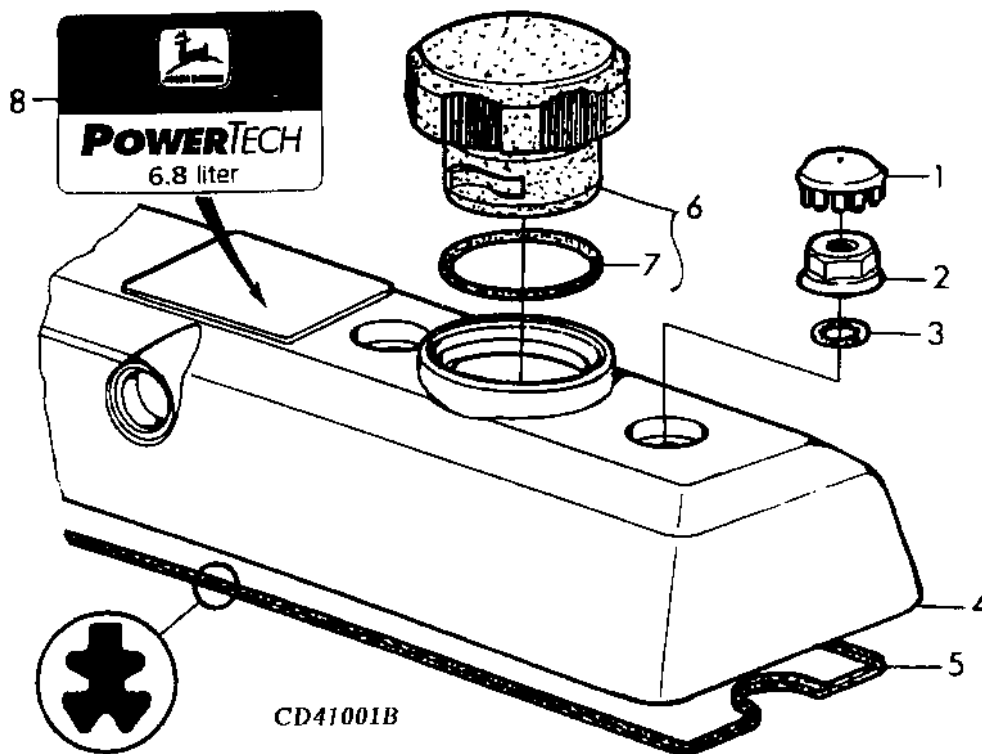


# 1B5

VALVE COVER

CD41001B -UN-25NOV98

1102



KEY	PART NO.	PART NAME	QTY	ENGINE SERIAL NO.	0 6 8 T & H	REMARKS
1	H23125	PLUG	6		X	
2	R123574	NUT	6		X	
3	R123575	O-RING	6		X	
4	RE70400	VALVE COVER	1		X	
5	R123543	GASKET	1		X	
6	RE500005	FILLER CAP	1		X	
7	R500001	PACKING	1		X	
8	R121674	MEDALLION	1		X	

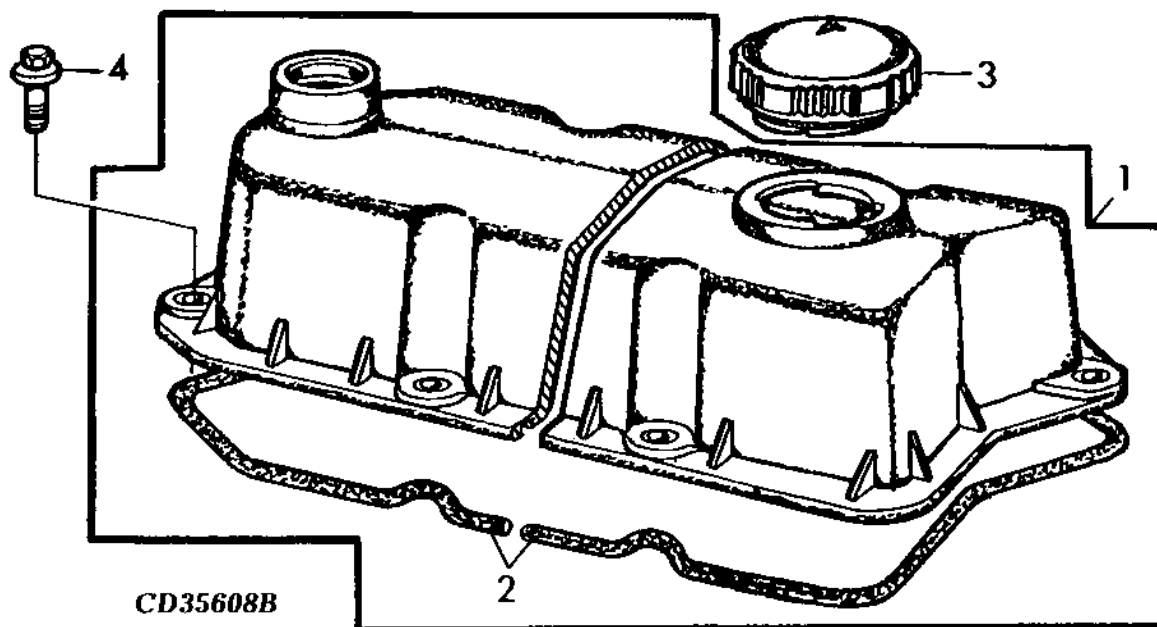
MEMORANDA

# 1B6

VALVE COVER

CD35608B -UN-21FEB96

1104



KEY	PART NO.	PART NAME	QTY	ENGINE SERIAL NO.	0 3 9 D & T	REMARKS
1	RE44205	VALVE COVER	1		X	SYNTHETIC MATERIAL
2	R106796	O-RING	1		X	
3	RE42762	FILLER CAP	1		X	
4	RE32140	SCREW, WITH WASHER	8		X	

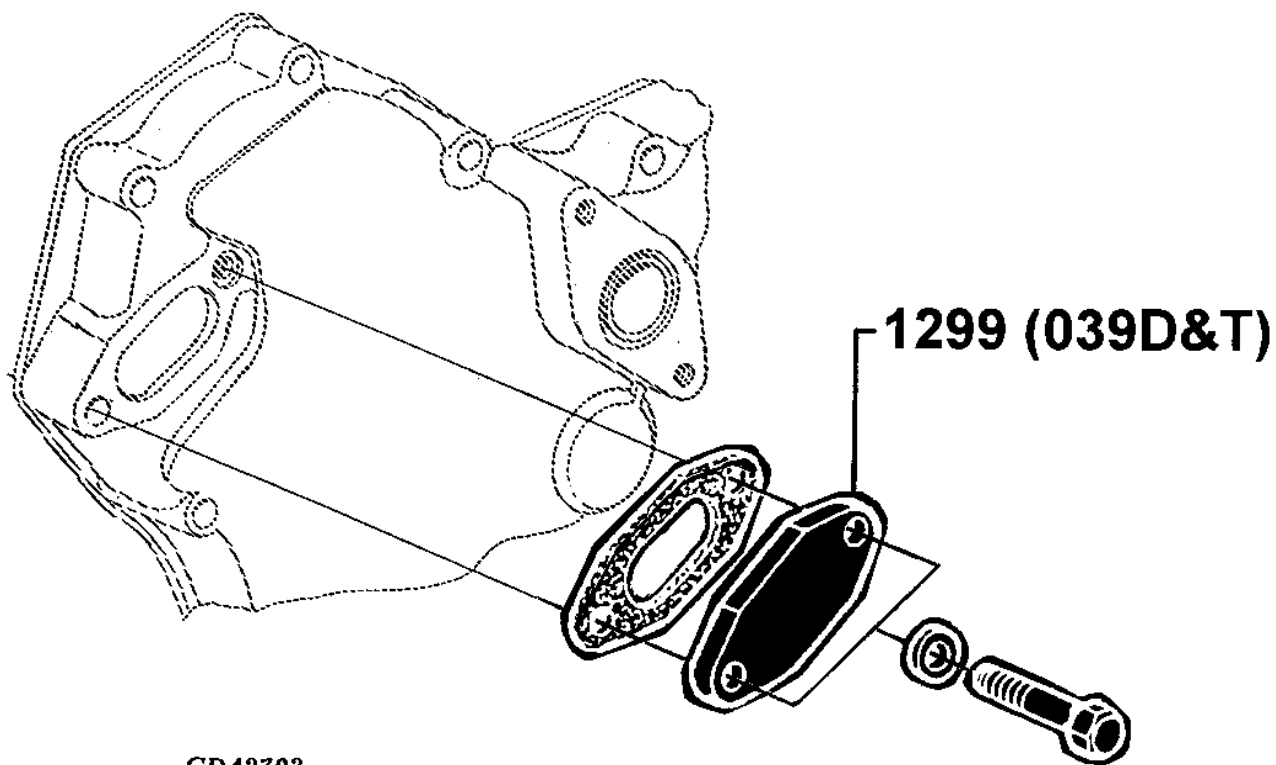
# 1B8

OIL FILLER NECK

## SECTIONAL INDEX

CD42703 -UN-11FEB99

1299 -	1B10
1299 -	1B11
1299 -	1B12



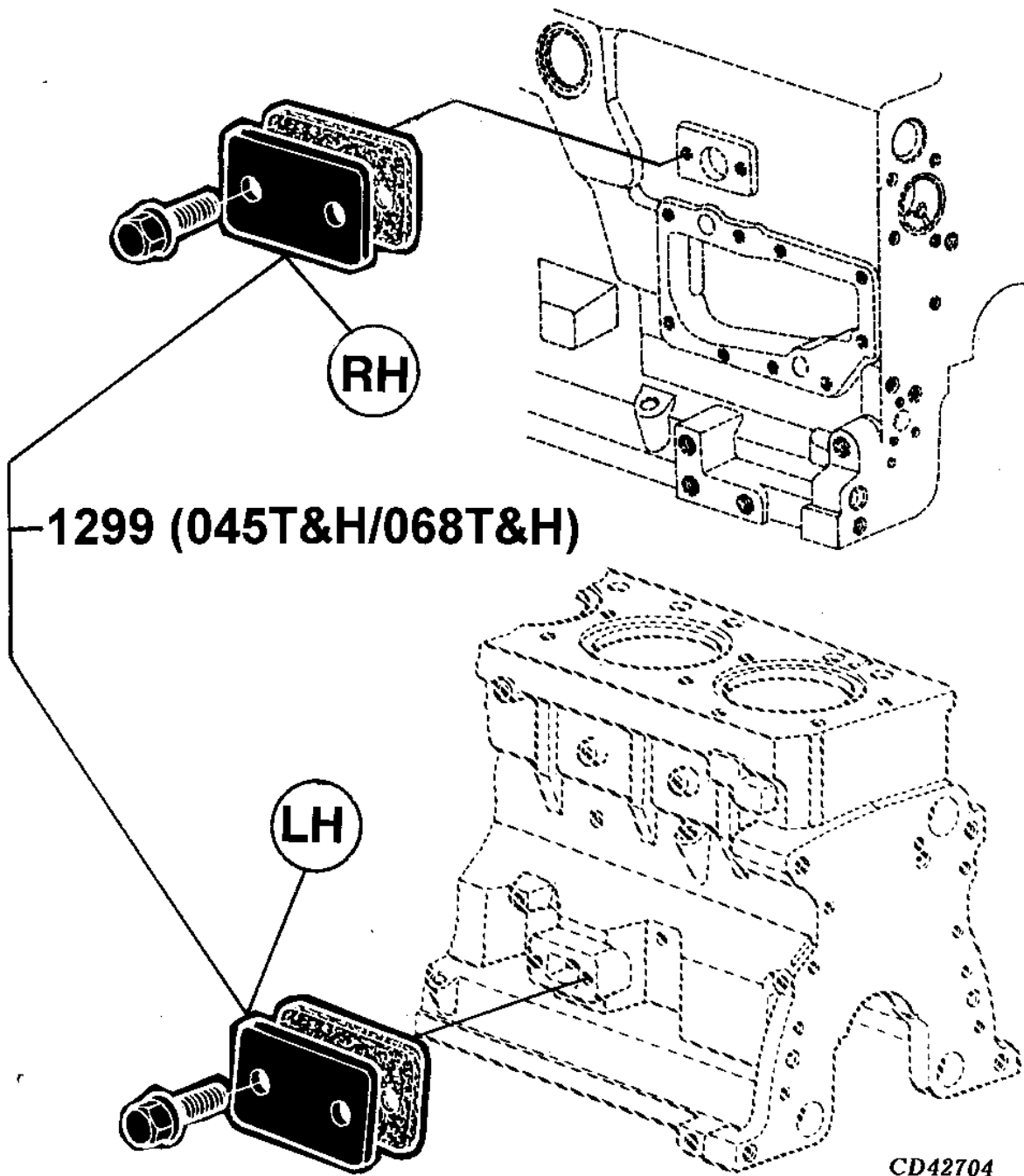
# 1B9

OIL FILLER NECK

## SECTIONAL INDEX

CD42704 -UN-11FEB99

1299 -	1B10
1299 -	1B11
1299 -	1B12

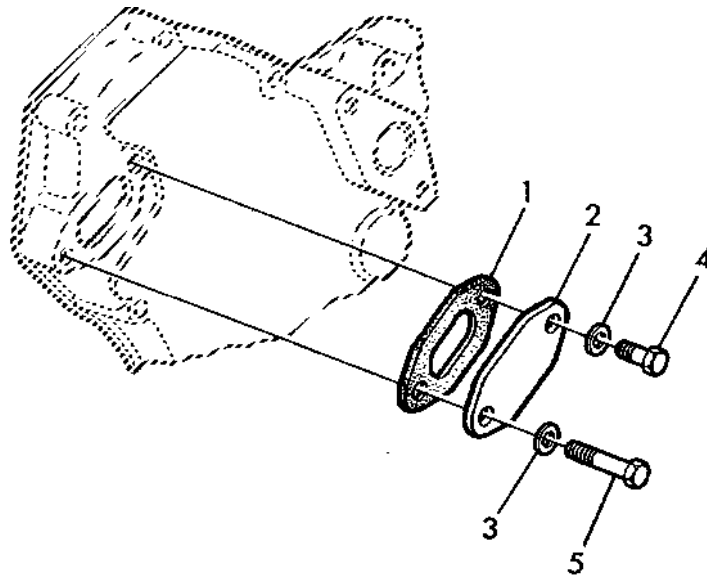


# 1B10

OIL FILLER NECK

CD23133 -UN-01JAN94

1299



CD 23133

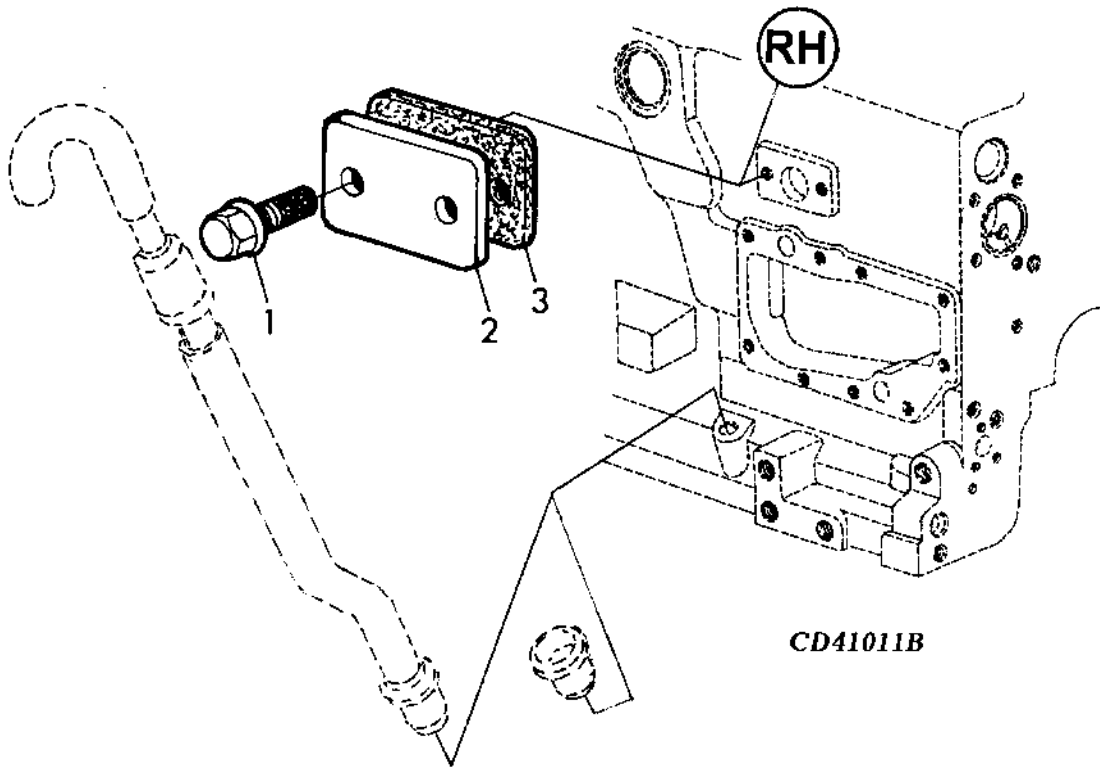
KEY	PART NO.	PART NAME	QTY	ENGINE SERIAL NO.	0 3 9 D & T	REMARKS
1	R97352	GASKET	1		X	
2	T23260	COVER	1		X	
3	24M7106	WASHER	2		X	10 X 18 X 2.500 MM
4	19H2284	CAP SCREW	1		X	3/8" X 7/8"
5	19H1726	CAP SCREW	1		X	3/8" X 2-1/4"

# 1B11

OIL FILLER NECK

CD41011B -UN-18FEB99

1299



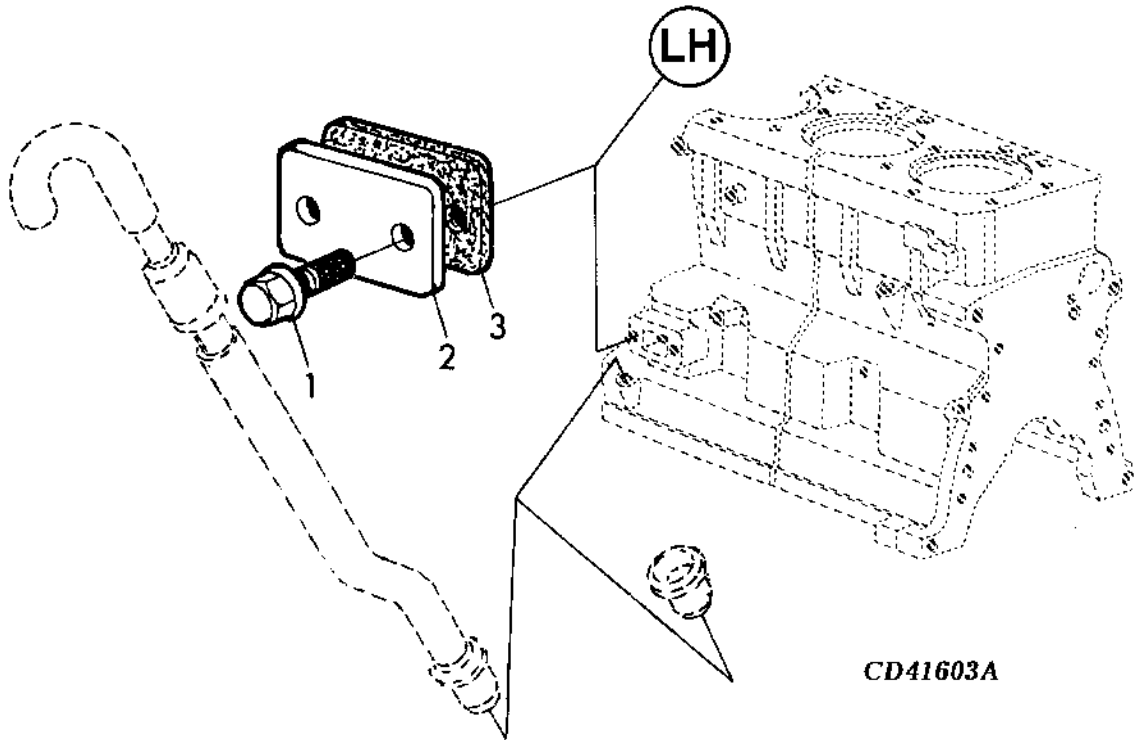
KEY	PART NO.	PART NAME	QTY	ENGINE SERIAL NO.	REMARKS
1	RE67238	SCREW	2	0 0 4 6 5 8 T T & & H H	WITH SEALANT
2	R116296	COVER	1		
3	R136495	GASKET	1		

# 1B12

OIL FILLER NECK

CD41603A -UN-18FEB99

1299-CONTINUED



KEY	PART NO.	PART NAME	QTY	ENGINE SERIAL NO.	REMARKS
1	RE67238	SCREW	2	0 0 4 6 5 8 T T & & H H	WITH SEALANT
2	R116296	COVER	1		
3	R136495	GASKET	1		



MEMORANDA

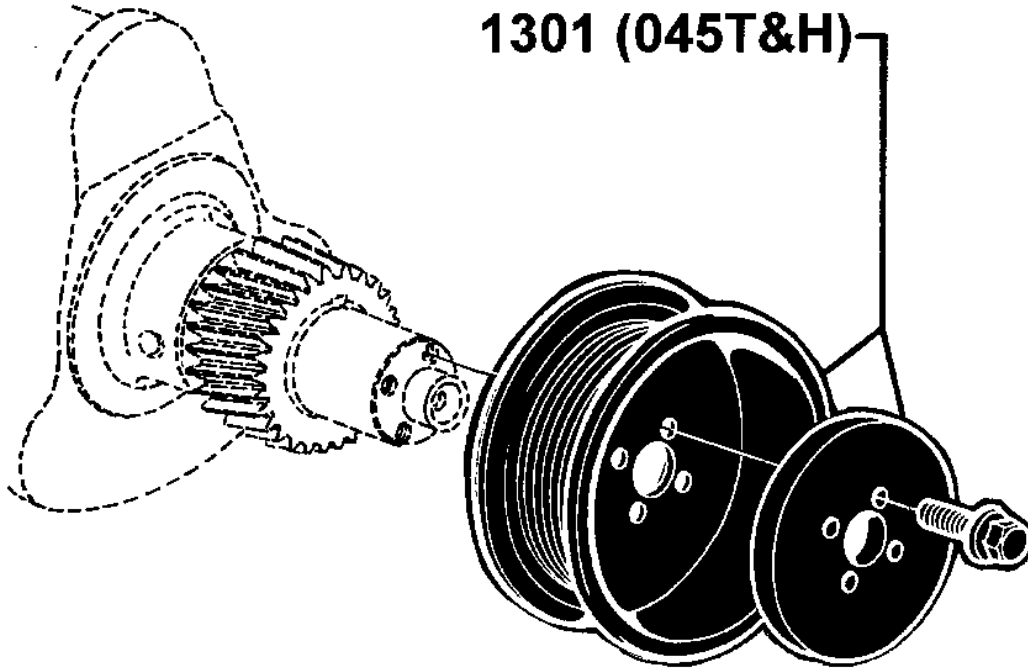
# 1B14

SECTIONAL INDEX

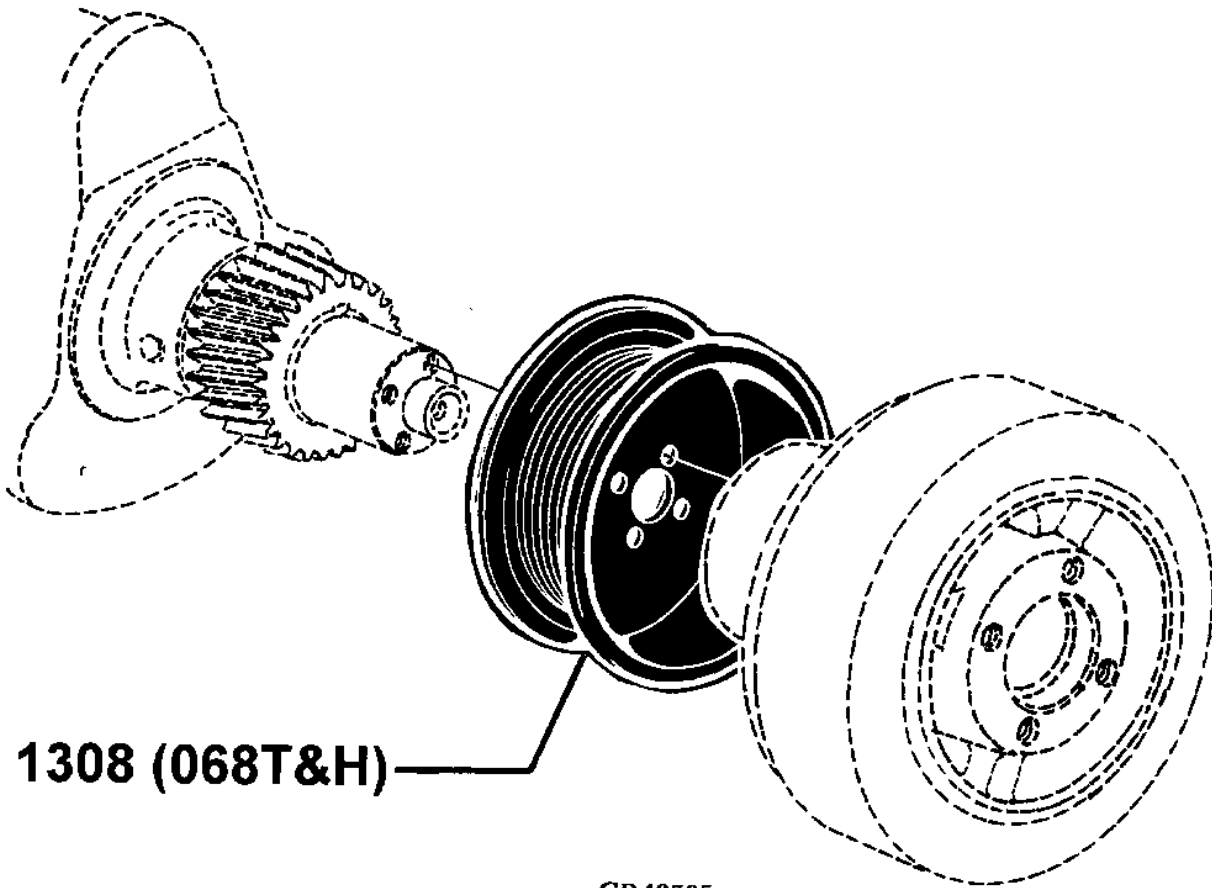
CD42705 -UN-11FEB99

1301 -	1B16
1308 -	1B17
1317 -	1B18

**1301 (045T&H)**



**1308 (068T&H)**



CD42705

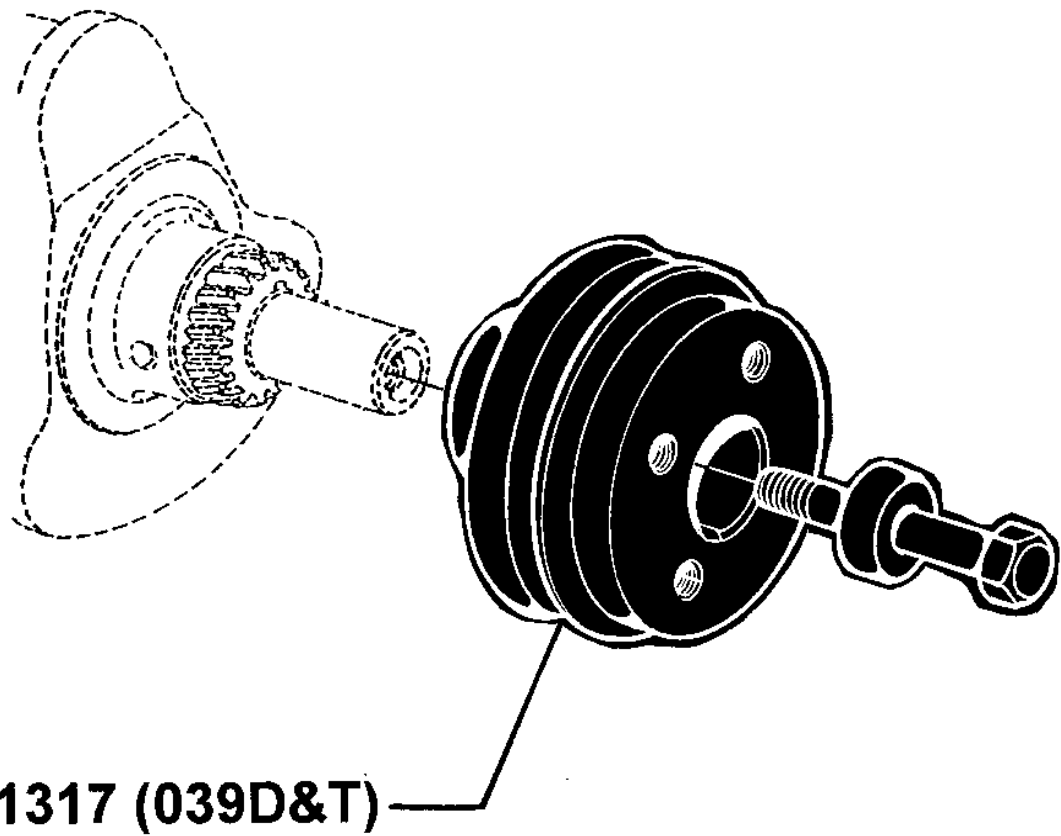
# 1B15

CRANKSHAFT PULLEY

## SECTIONAL INDEX

CD42706 -UN-11FEB99

1301 -	1B16
1308 -	1B17
1317 -	1B18



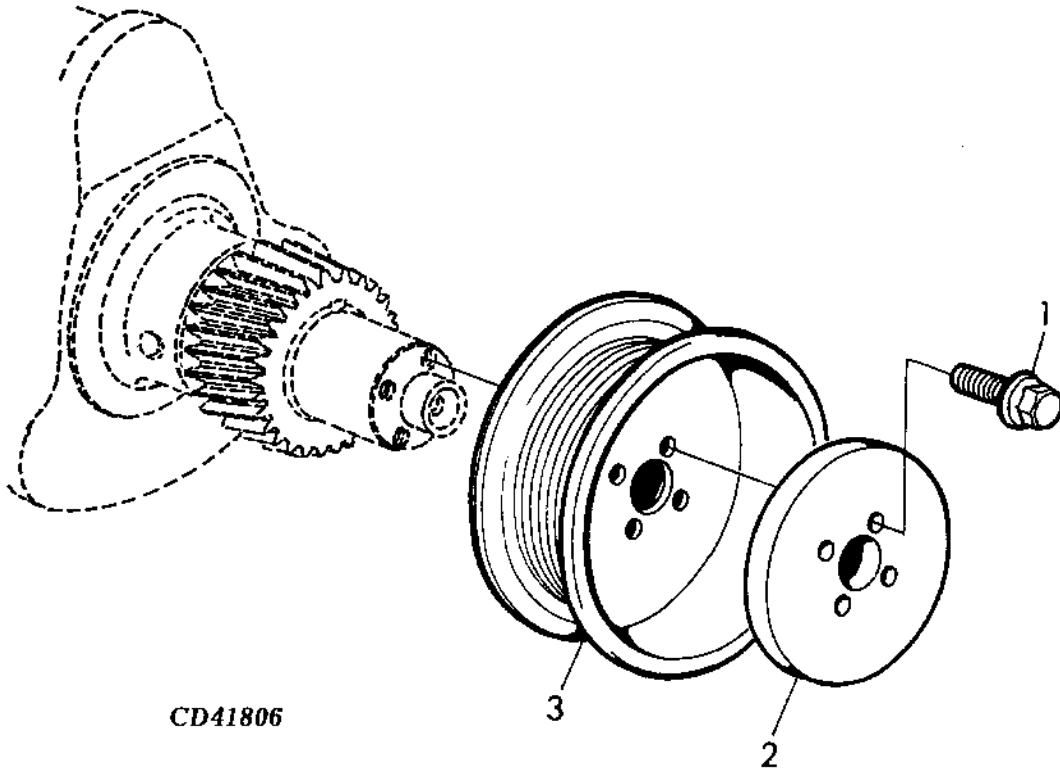
CD42706

# 1B16

CRANKSHAFT PULLEY

CD41806 -UN-06AUG97

1301



CD41806

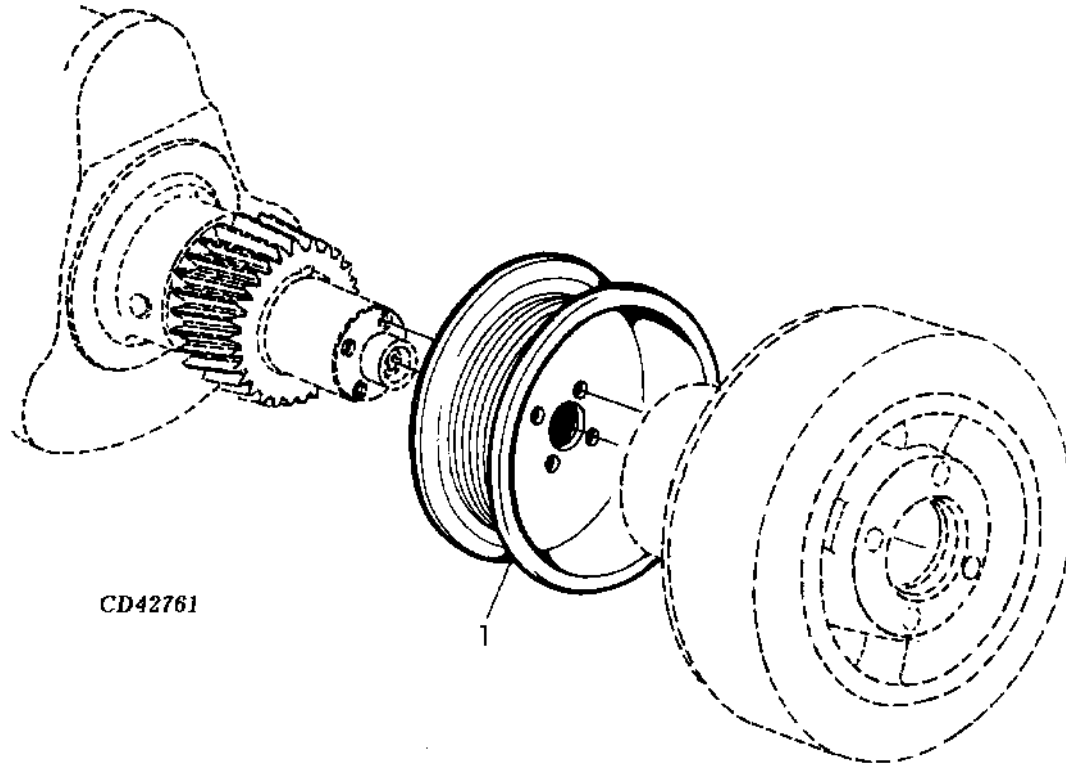
KEY	PART NO.	PART NAME	QTY	ENGINE SERIAL NO.	0 4 5 T & H	REMARKS
1	R121897	BOLT	4		X	
2	R500649	FLANGE	1		X	
3	R133296	PULLEY	1		X	

# 1B17

CRANKSHAFT PULLEY

CD42761 -UN-18FEB99

1308



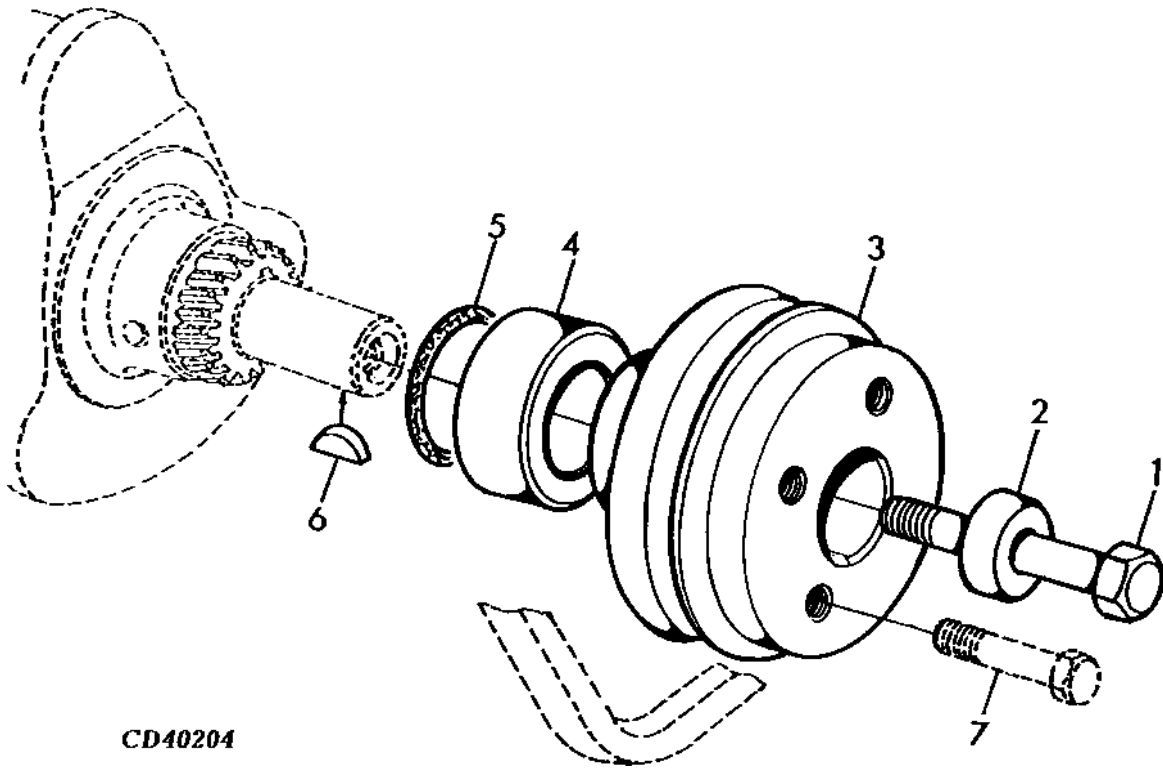
KEY	PART NO.	PART NAME	QTY	ENGINE SERIAL NO.	0 6 8 T & H	REMARKS
1	R133296	PULLEY	1		X	

# 1B18

CRANKSHAFT PULLEY

CD40204 -UN-23MAY95

1317



**CD40204**

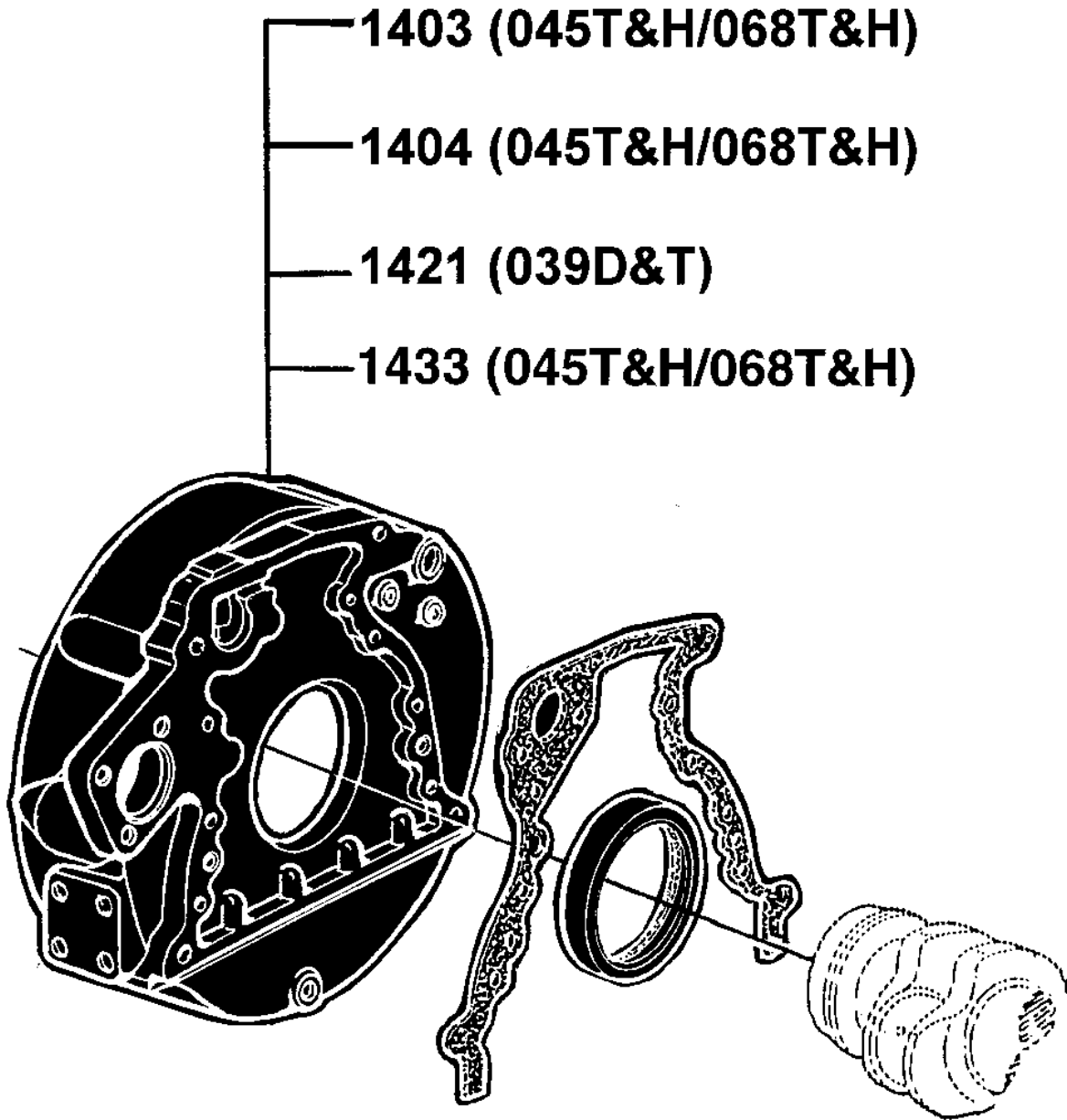
KEY	PART NO.	PART NAME	QTY	ENGINE SERIAL NO.	0 3 9 D & T	REMARKS
1	19H2473	CAP SCREW	1		X	1/2" X 1-3/4", (HS, SAE 8)
2	R109086	SPACER	1		X	TK 10MM, OD 44MM
3	R119220	PULLEY	1		X	OD 171.5MM
4	R81989	SLEEVE	1		X	
5	H35244	RING	1		X	
6	26H27	SHAFT KEY	1		X	5/16" X 1-1/8"
7	.....	CAP SCREW	AR		X	7/16"-14UNC, ON DIAMETER = 99.6MM

# 1B20

## SECTIONAL INDEX

CD42707 -UN-19FEB99

1403 -	1B21
1404 -	1B22
1421 -	1B23
1433 -	1B24



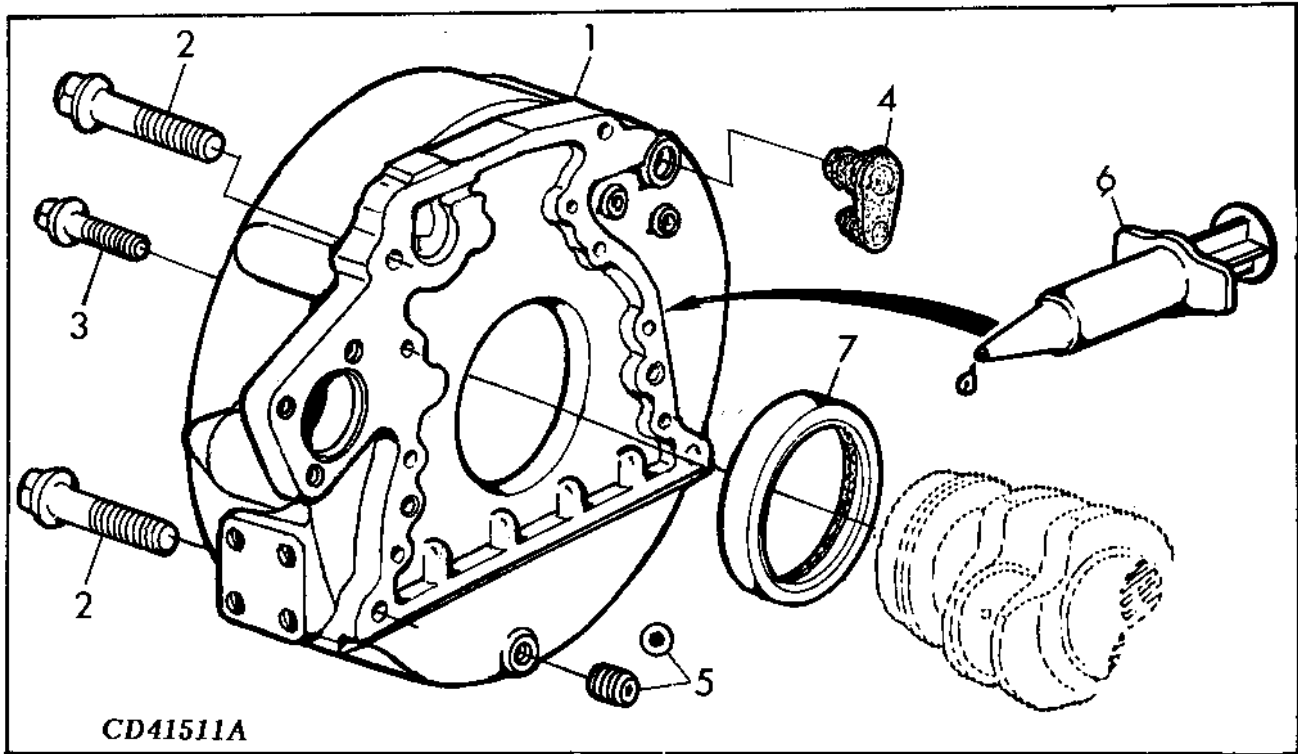
CD42707

# 1B21

FLYWHEEL HOUSING

CD41511A -UN-18FEB99

1403



KEY	PART NO.	PART NAME	QTY	ENGINE SERIAL NO.	0 4 5 T & H	0 6 8 T & H	REMARKS
1	.....	HOUSING	1	-548118	X	X	MARKED R123208, ORD R502272 AND R39112, THIS APPLICATION
2	19M8306	SCREW	4	-548118	X	X	M12 X 50, (10.9)
3	R135918	BOLT	8	-548111	X	X	
4	R131768	PLUG	1	-548118	X	X	
5	15H584	PIPE PLUG	1	-548118	X	X	1/2"-14NPT
6	DD15664	LIQUID GASKET	1	-548118	X	X	
7	RE44574	SEAL	1	-548118	X	X	



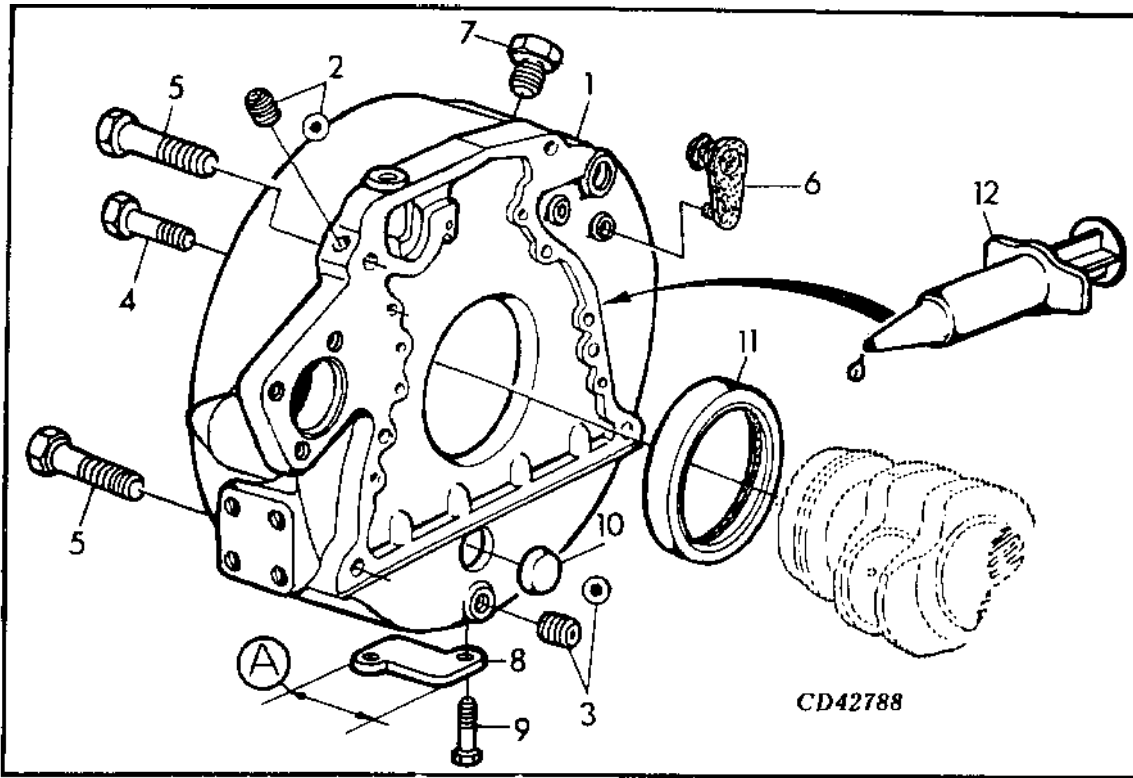
# 1B22

FLYWHEEL HOUSING

CD42788

-UN-18FEB99

1404



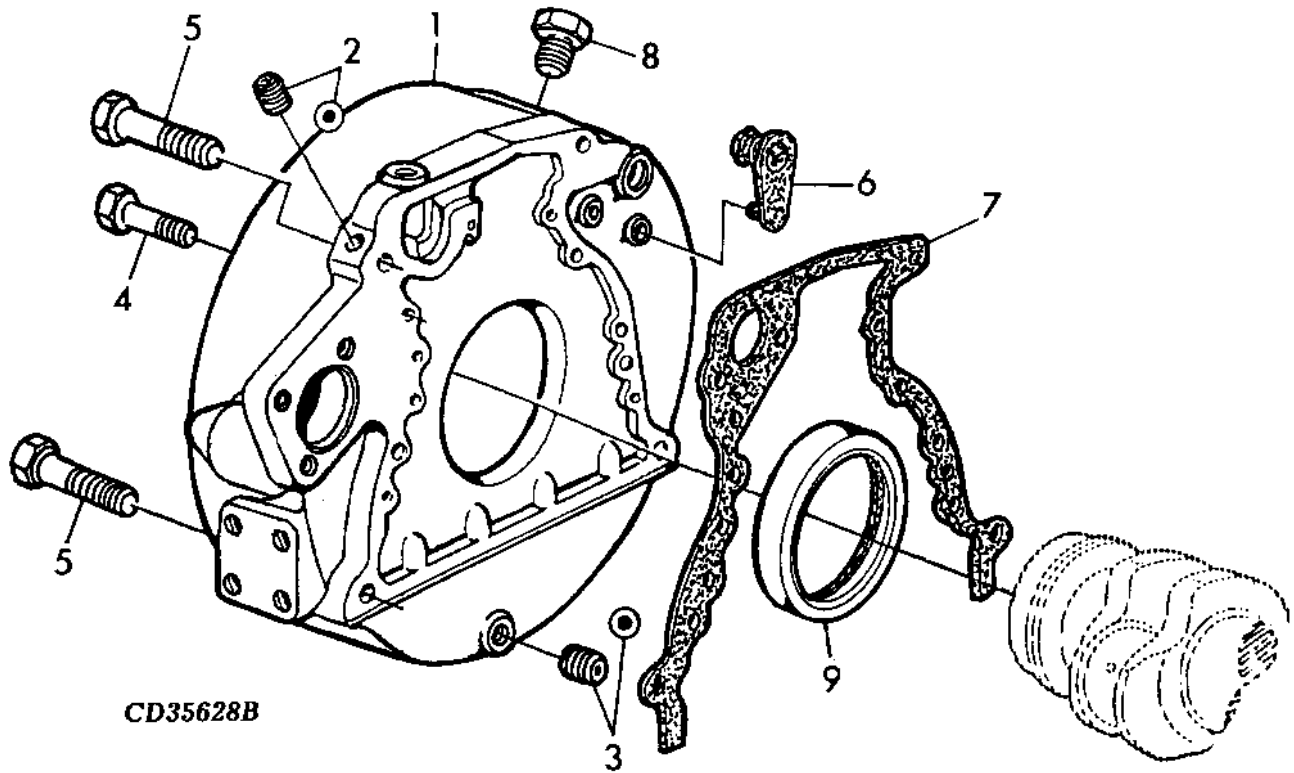
KEY	PART NO.	PART NAME	QTY	ENGINE SERIAL NO.	0 0 4 6 5 8 T T & & H H	REMARKS
1	.....	HOUSING	1	-548118	X X	MARKED R122087, ORD R502272 AND R39112, THIS APPLICATION
2	R104592	PIPE PLUG	1	-548118	X X	1/8"-27NPT, WITH SEALANT
3	15H584	PIPE PLUG	1	-548118	X X	1/2"-14NPT
4	R135918	BOLT	8	-548118	X X	
5	19M8306	SCREW	4	-548118	X X	M12 X 50, (10.9)
6	R131768	PLUG	1	-548118	X X	
7	R39112	PLUG	1	-548118	X X	3/4"-16UNF
8	R121039	PLATE	1	-548118	X X	A = 127MM (5")
9	19M7923	CAP SCREW	2	-548118	X X	M6 X 12, (10.9)
10	T13518	CAP	1	-548118	X X	OD 61MM
11	RE44574	SEAL	1	-548118	X X	
12	DD15664	LIQUID GASKET	AR	-548118	X X	

# 1B23

FLYWHEEL HOUSING

CD35628B -UN-21APR98

1421



KEY	PART NO.	PART NAME	QTY	ENGINE SERIAL NO.	0 3 9 D & T	REMARKS
1	R120586	HOUSING	1		X	
2	R104592	PIPE PLUG	AR		X	1/8"-27NPTF, WITH SEALANT
3	15H584	PIPE PLUG	1		X	1/2"-14NPT
4	19H3219	CAP SCREW	8		X	3/8" X 1-3/8", (SAE 8)
5	19H2599	CAP SCREW	4		X	5/8" X 2-1/2", (SAE 8)
6	R131768	PLUG	1		X	
7	R97351	GASKET	1		X	
8	T22867	DRAIN PLUG	1		X	3/4"-16UNF
9	RE44574	SEAL	1		X	

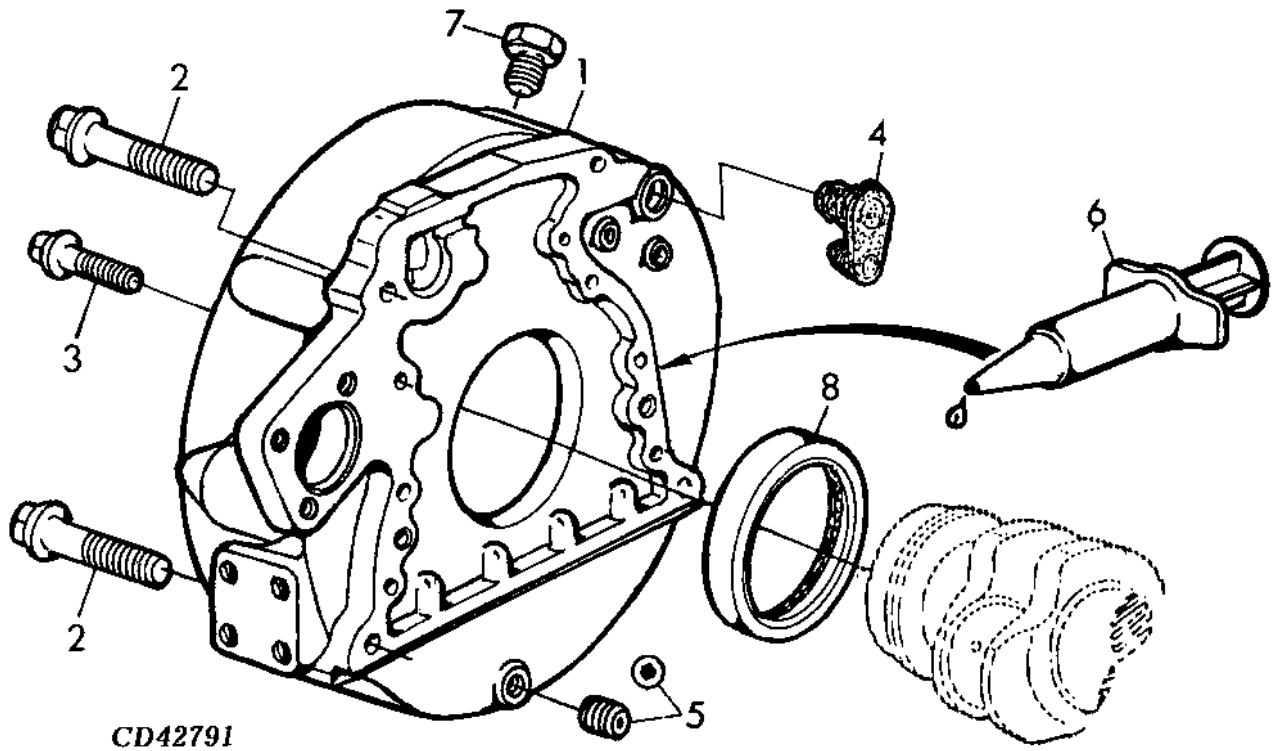
MEMORANDA

# 1B24

FLYWHEEL HOUSING

CD42791 -UN-18FEB99

1433



CD42791

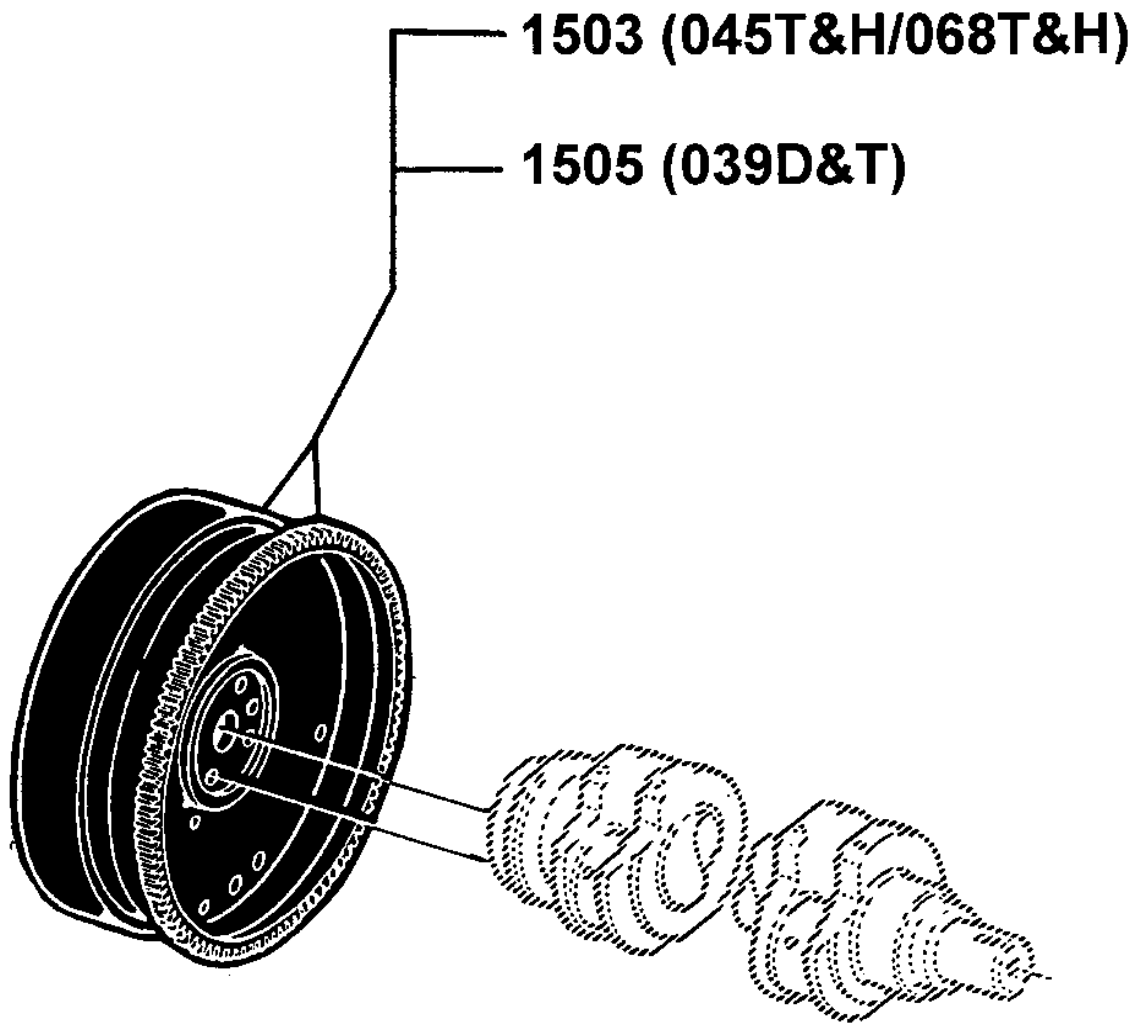
KEY	PART NO.	PART NAME	QTY	ENGINE SERIAL NO.	0 0 4 6 5 8 T T & & H H	REMARKS
1	R502272	HOUSING	1	548119-	X X	
2	19M8306	SCREW	4	548119-	X X	M12 X 50
3	R135918	BOLT	8	548119-	X X	
4	T13518	CAP	1	548119-	X X	OD 61MM
5	15H584	PIPE PLUG	1	548119-	X X	1/2"-14NPT
6	DD15664	LIQUID GASKET	1	548119-	X X	
7	R39112	FITTING	1	548119-	X X	3/4"-16UNF
8	RE44574	SEAL	1	548119-	X X	

# 1C2

SECTIONAL INDEX

CD42708 -UN-11FEB99

1503 -	1C3
1505 -	1C4



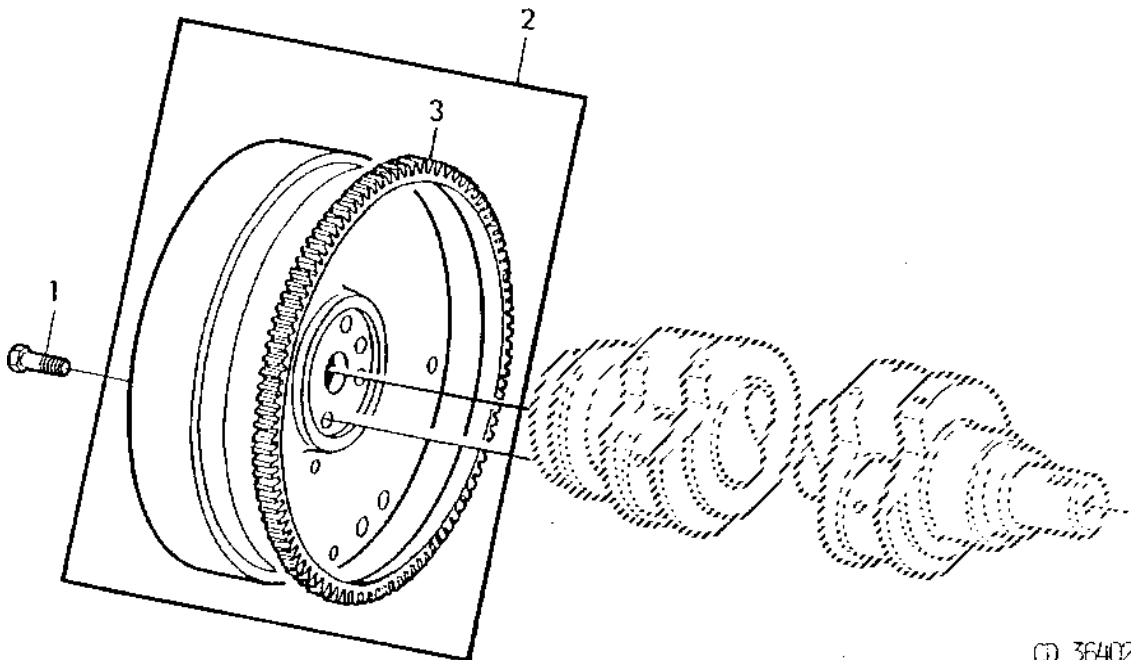
CD42708

# 1C3

FLYWHEEL

CD36402 -UN-01JAN94

1503



CD 36402

KEY	PART NO.	PART NAME	QTY	ENGINE SERIAL NO.	REMARKS
1	19H2993	CAP SCREW	4	0 0	
2	RE500398	FLYWHEEL	1	4 6	1/2" X 1-1/2", (SAE 8)
3	R28811	RING GEAR	1	5 8	Z = 129
				T T	
				& &	
				H H	

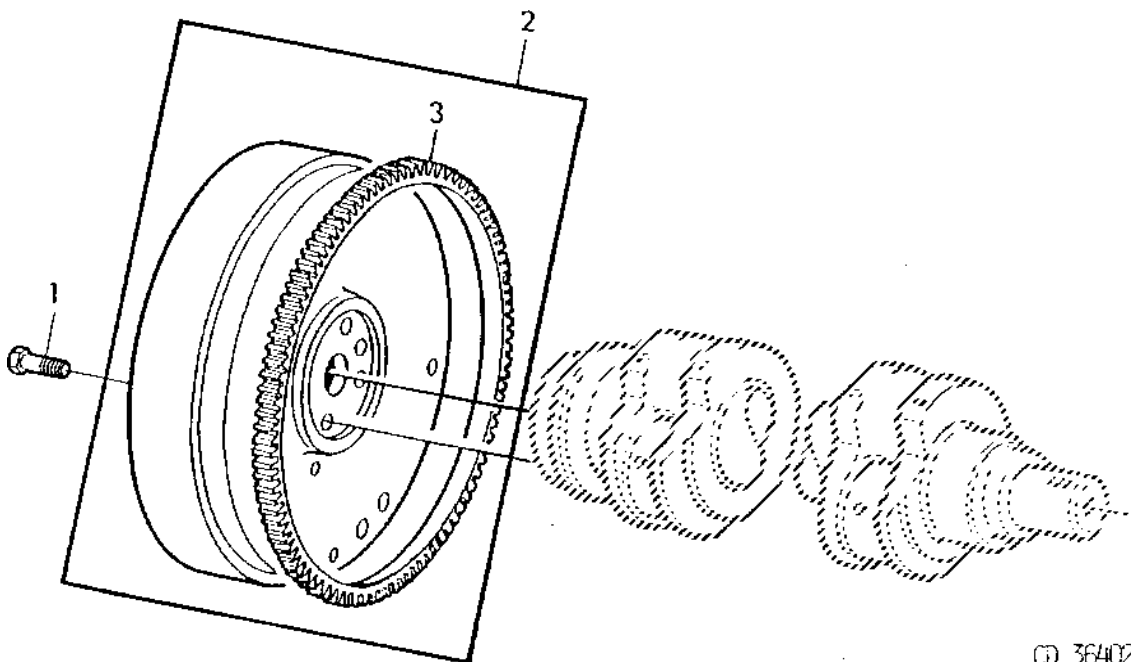
MEMORANDA

# 1C4

FLYWHEEL

CD36402 -UN-01JAN94

1505



CD 36402

KEY	PART NO.	PART NAME	QTY	ENGINE SERIAL NO.	0 3 9 D & T	REMARKS
1	19H2993	CAP SCREW	4		X	1/2" X 1-1/2", (SAE 8)
2	RE500398	FLYWHEEL	1		X	
3	R28811	RING GEAR	1		X	Z = 129

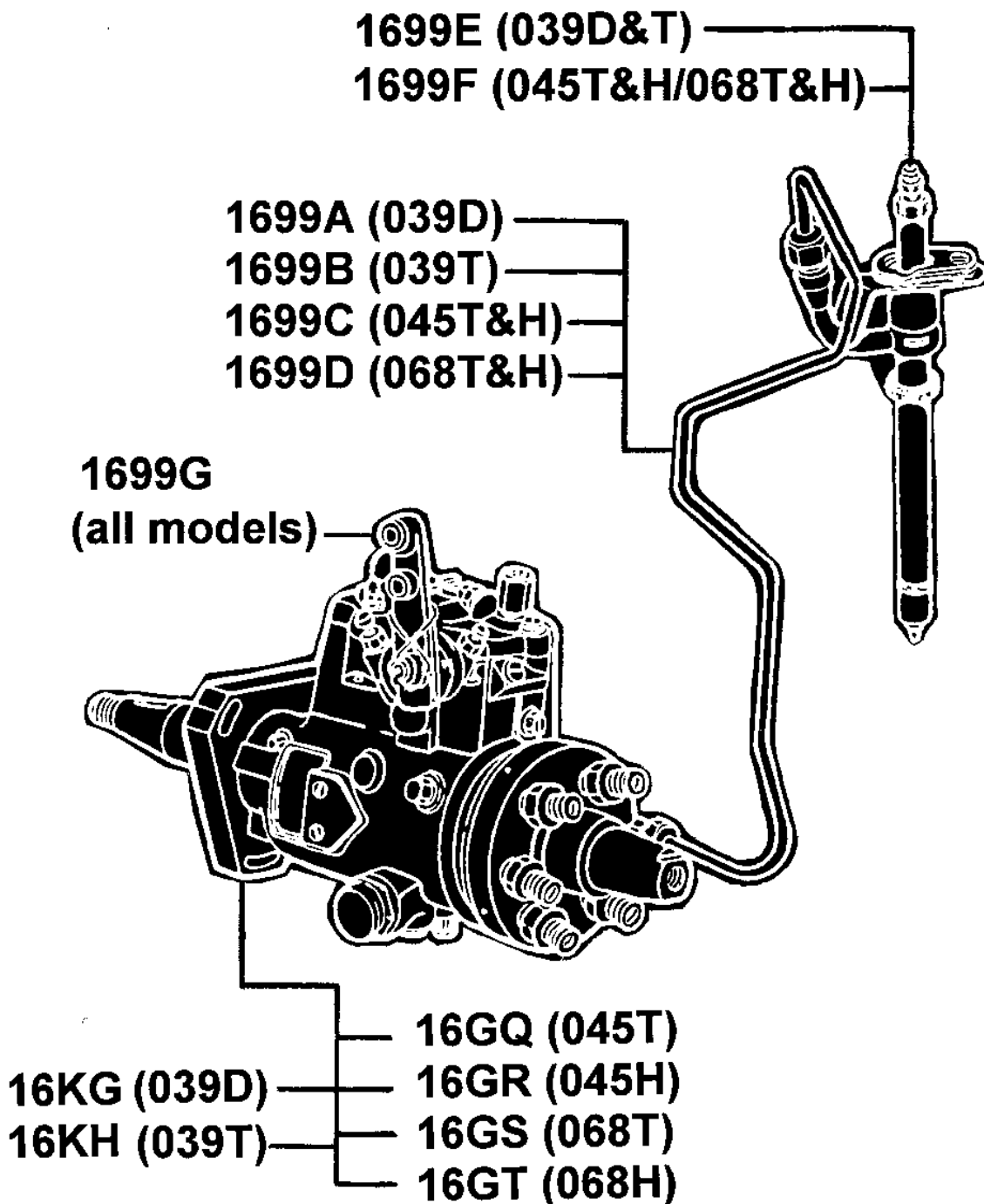


# 1C6

## SECTIONAL INDEX

CD42709 -UN-19FEB99

16GQ -	1C7
16GR -	1C8
16GS -	1C9
16KG -	1C11
16KH -	1C12
1699A -	1C13
1699B -	1C14
1699C -	1C15
1699D -	1C16
1699E -	1C17
1699F -	1C18
1699G -	1C19

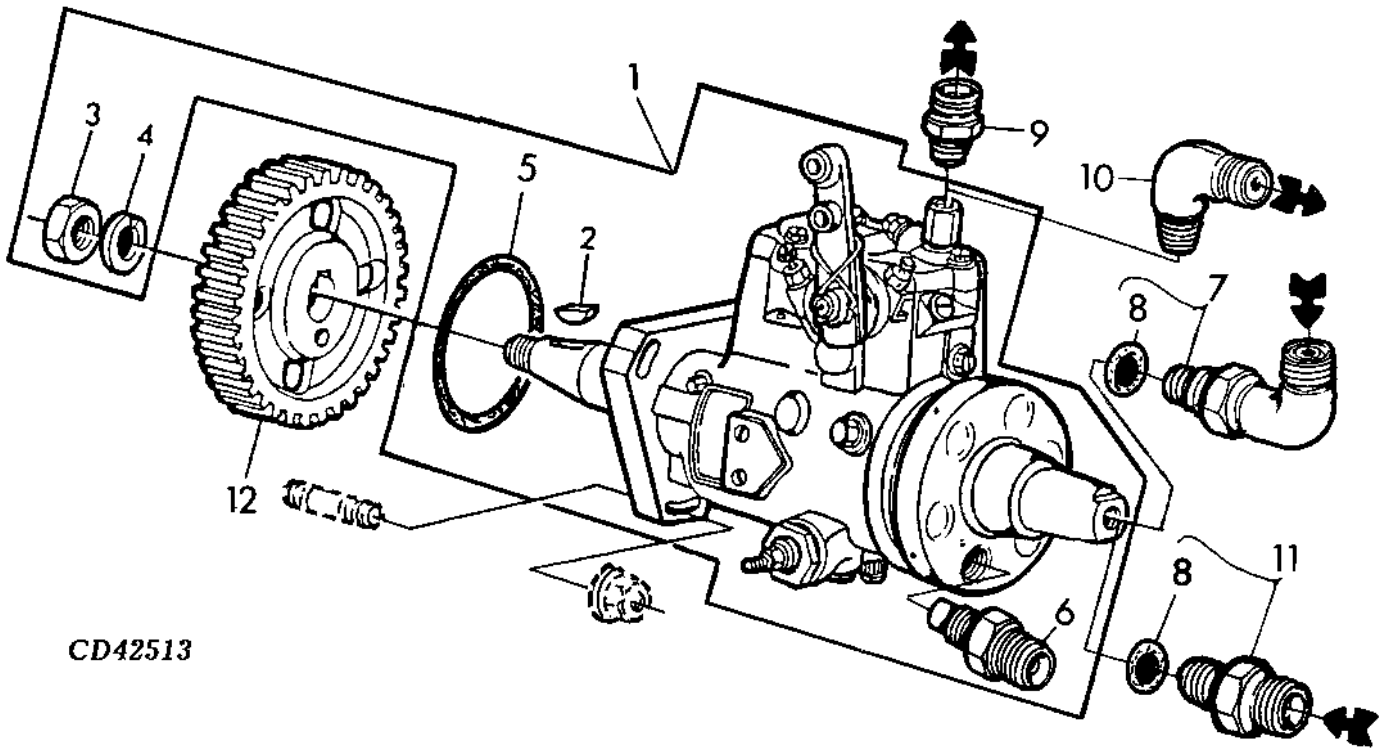


CD42709

# 1C7

CD42513 -UN-19MAR98

16GQ



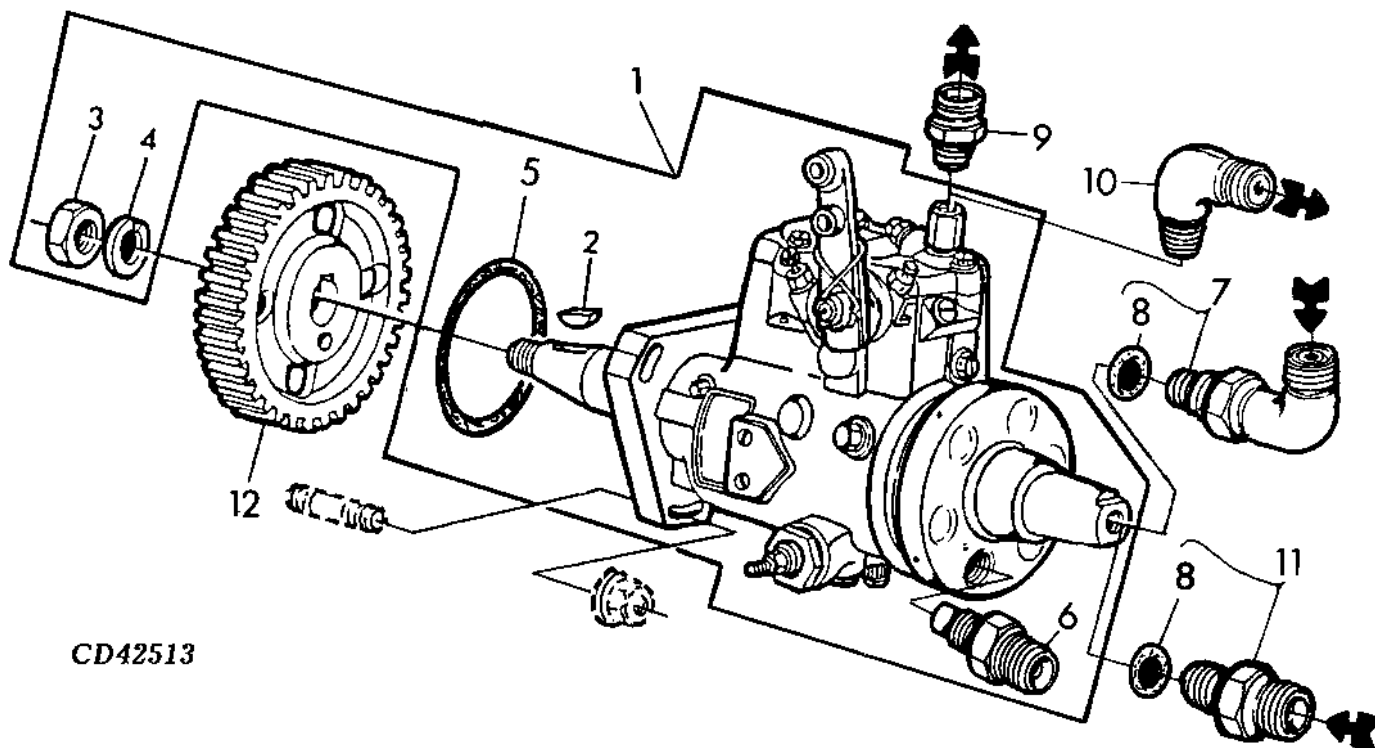
CD42513

KEY	PART NO.	PART NAME	QTY	ENGINE SERIAL NO.	0 4 5 T	REMARKS
1	RE503048	FUEL INJECTION PUMP	1		X	(STANADYNE DB4, 83KW-1500MIN-1, 12V)
2	R56131	SHAFT KEY	1		X	
3	R91360	NUT	1		X	
4	R132874	LOCK WASHER	1		X	
5	R502076	PACKING	1		X	ID 53MM
6	.....	FITTING	4		X	NSEP
7	.....	ELBOW FITTING	NA		X	
8	51M7040	O-RING	1		X	9.300 X 2.200 MM
9	.....	FITTING	NA		X	
10	R67364	ELBOW FITTING	1		X	1/8"-27NPT X 1/2"-24UNS
11	RE60029	FITTING	1		X	M12 X 1.5 X 9/16"-24UNEF
12	R132267	HELICAL GEAR	1		X	Z = 60

# 1C8

CD42513 -UN-19MAR98

16GR



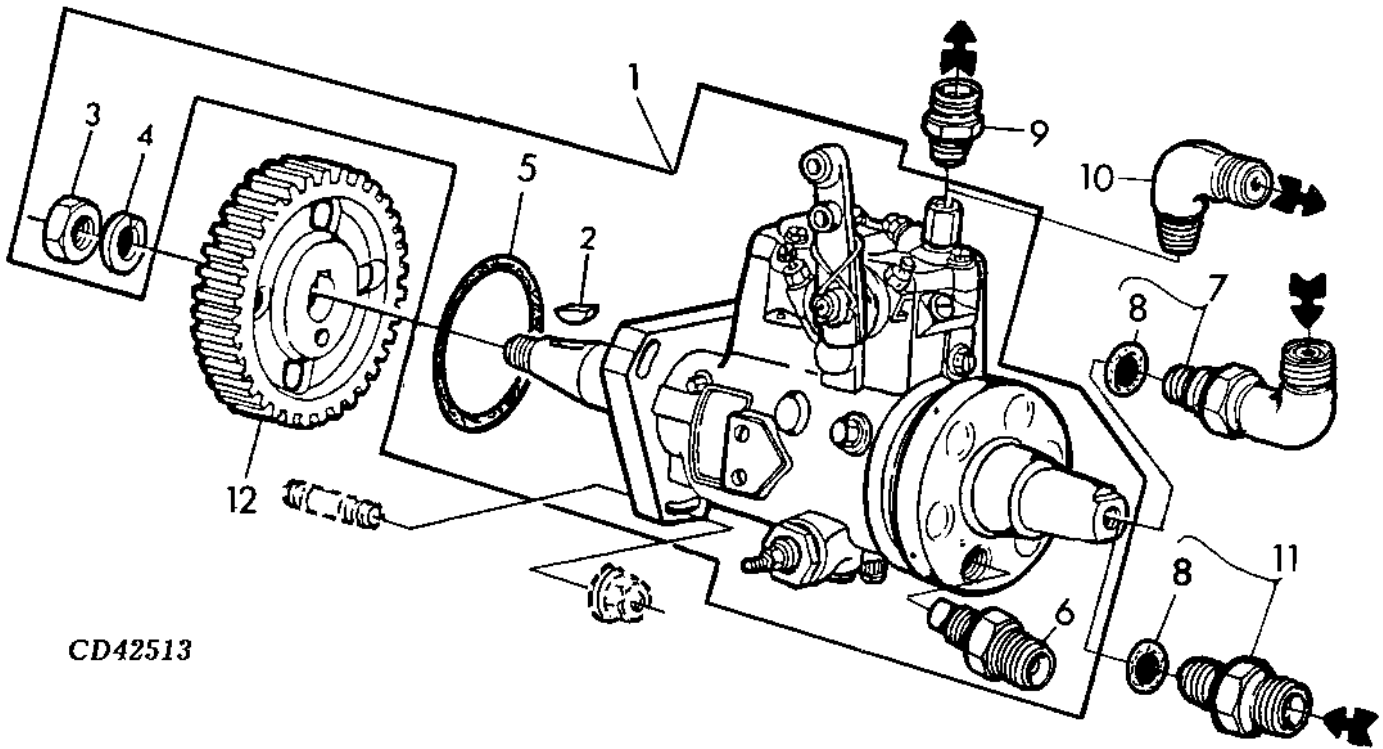
CD42513

KEY	PART NO.	PART NAME	QTY	ENGINE SERIAL NO.	REMARKS
				0	
				4	
				5	
				H	
1	RE503050	FUEL INJECTION PUMP	1	X	(STANADYNE DB4, 100KW-1500MIN-1, 12V)
2	R56131	SHAFT KEY	1	X	
3	R91360	NUT	1	X	
4	R132874	LOCK WASHER	1	X	
5	R502076	PACKING	1	X	ID 53MM
6	.....	FITTING	4	X	NSEP
7	.....	ELBOW FITTING	NA	X	
8	51M7040	O-RING	1	X	9.300 X 2.200 MM
9	.....	FITTING	NA	X	
10	R67364	ELBOW FITTING	1	X	1/8"-27NPT X 1/2"-24UNS
11	RE60029	FITTING	1	X	M12 X 1.5 X 9/16"-24UNEF
12	R132267	HELICAL GEAR	1	X	Z = 60

# 1C9

CD42513 -UN-19MAR98

16GS



CD42513

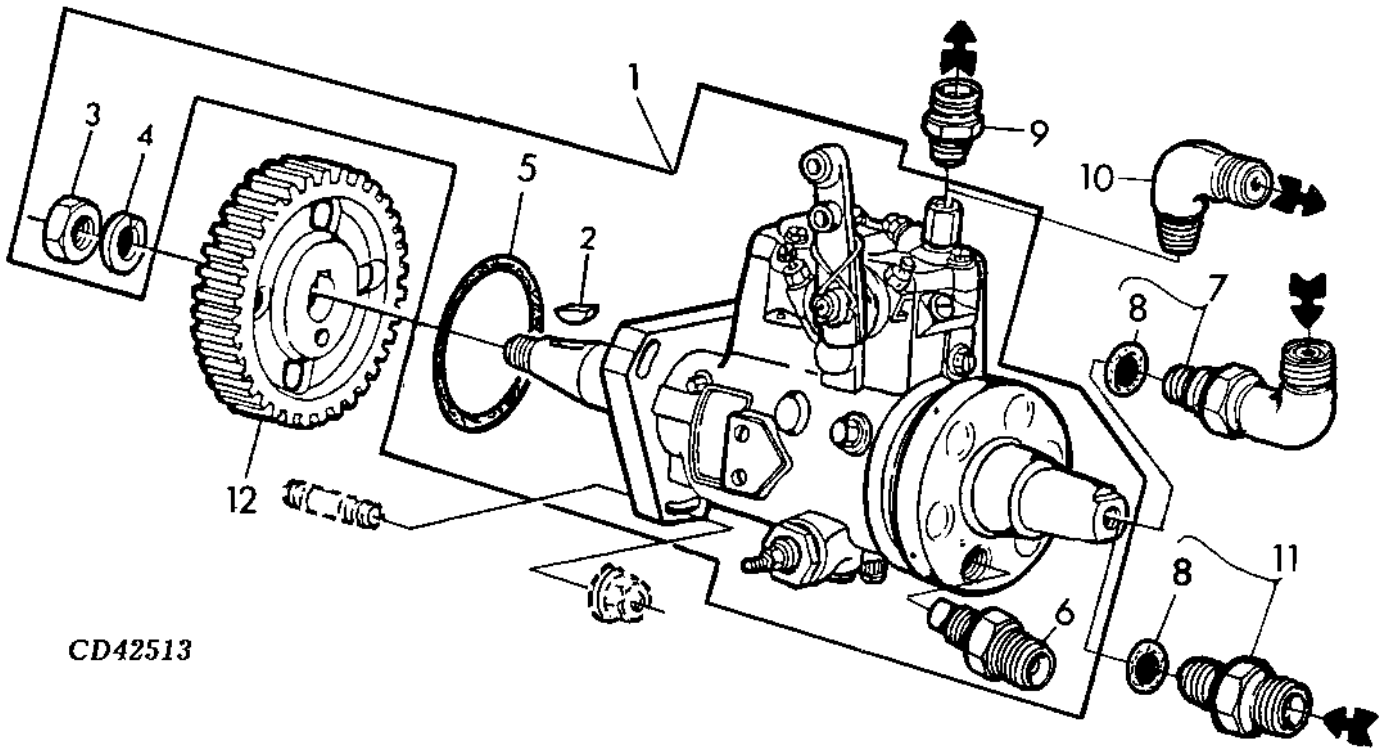
KEY	PART NO.	PART NAME	QTY	ENGINE SERIAL NO.	0 6 8 T	REMARKS
1	RE503049	FUEL INJECTION PUMP	1		X	(STANADYNE DB4, 120KW-1500MIN-1, 12V)
2	R56131	SHAFT KEY	1		X	
3	R91360	NUT	1		X	
4	R132874	LOCK WASHER	1		X	
5	R502076	PACKING	1		X	ID 53MM
6	.....	FITTING	6		X	NSEP
7	.....	ELBOW FITTING	NA		X	
8	51M7040	O-RING	1		X	9.300 X 2.200 MM
9	.....	FITTING	NA		X	
10	R67364	ELBOW FITTING	1		X	1/8"-27NPT X 1/2"-24UNS
11	RE60029	FITTING	1		X	M12 X 1.5 X 9/16"-24UNEF
12	R132267	HELICAL GEAR	1		X	Z= 60

# 1C10

FUEL INJECTION SYSTEM

CD42513 -UN-19MAR98

16GT



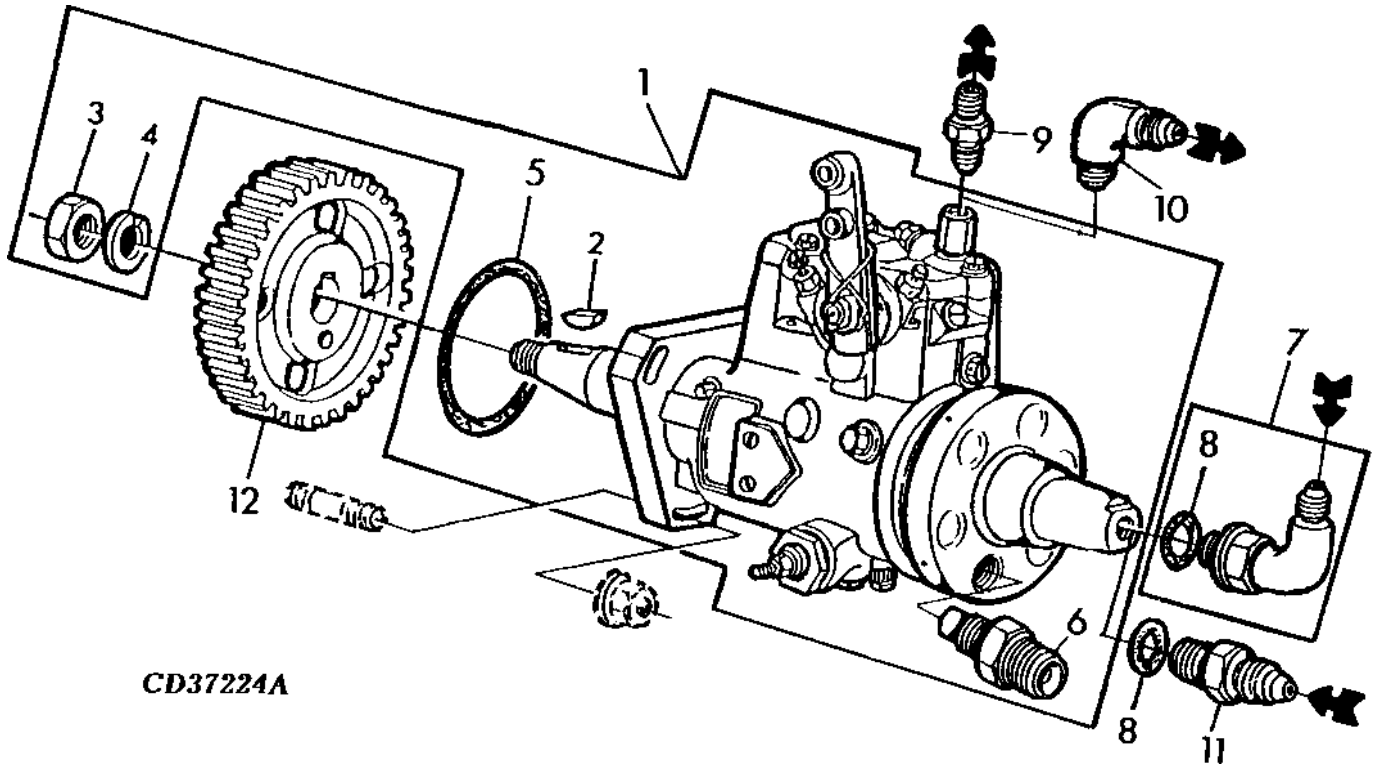
CD42513

KEY	PART NO.	PART NAME	QTY	ENGINE SERIAL NO.	REMARKS
1	RE503051	FUEL INJECTION PUMP	1	X	(STANADYNE DB4, 153KW-1500MIN-1, 12V)
2	R56131	SHAFT KEY	1	X	
3	R91360	NUT	1	X	
4	R132874	LOCK WASHER	1	X	
5	R502076	PACKING	1	X	53MM
6	.....	FITTING	6	X	NSEP
7	.....	ELBOW FITTING	NA	X	
8	51M7040	O-RING	1	X	9.300 X 2.200 MM
9	.....	FITTING	NA	X	
10	R67364	ELBOW FITTING	1	X	1/8"-27NPT X 1/2"-24UNS
11	RE60029	FITTING	1	X	M12 X 1.5 X 9/16"-24UNEF
12	R132267	HELICAL GEAR	1	X	Z= 60

# 1C11

CD37224A -UN-17OCT94

16KG (FORMER 1641)



**CD37224A**

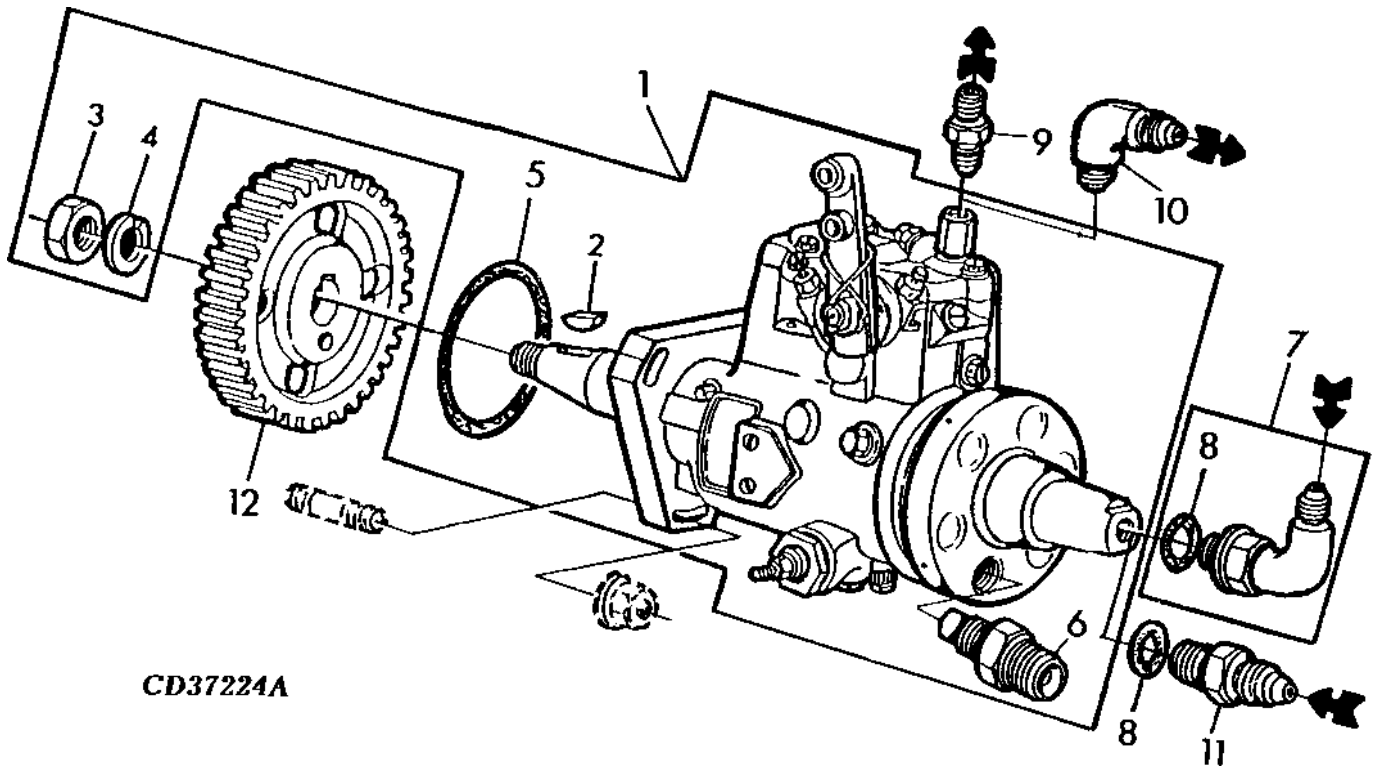
KEY	PART NO.	PART NAME	QTY	ENGINE SERIAL NO.	REMARKS
				0	
				3	
				9	
				D	
1	RE64243	FUEL INJECTION PUMP	1	X	(STANADYNE DB2435-5199, 40KW-1500 MIN-1, 12V)
2	R56131	SHAFT KEY	1	X	
3	R91360	NUT	1	X	
4	R48600	LOCK WASHER	1	X	
5	R89944	O-RING	1	X	ID 50MM
6	.....	FITTING	4	X	NSEP
7	AT32333	ELBOW FITTING	1	X	1/2"-20UNF X 1/2"-20UNF
8	R26286	O-RING	1	X	
9	.....	FITTING	NA	X	
10	T28850	ELBOW FITTING	1	X	7/16"-20UNF X 1/8"-27NPT
11	.....	FITTING	NA	X	
12	R79624	HELICAL GEAR	1	X	Z = 48

# 1C12

## FUEL INJECTION SYSTEM

CD37224A -UN-17OCT94

16KH (FORMER 1641)



CD37224A

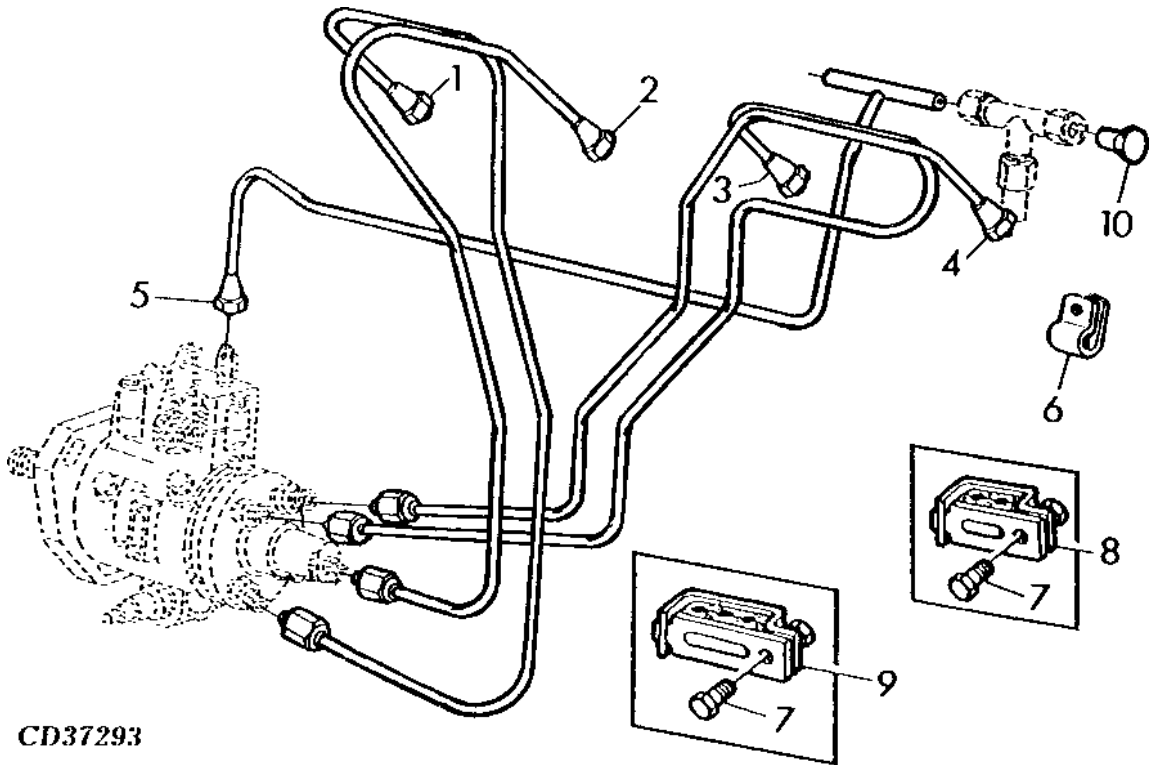
KEY	PART NO.	PART NAME	QTY	ENGINE SERIAL NO.	0 3 9 T	REMARKS
1	RE50809	FUEL INJECTION PUMP	1		X	(STANADYNE DB4427-5041, 63KW-1500 MIN-1, 12V)
2	R56131	SHAFT KEY	1		X	
3	R91360	NUT	1		X	
4	R48600	LOCK WASHER	1		X	
5	R502076	PACKING	1		X	ID 53MM
6	.....	FITTING	4		X	NSEP
7	AT32333	ELBOW FITTING	1		X	1/2"-20UNF X 1/2"-20UNF
8	R26286	O-RING	1		X	
9	.....	FITTING	NA		X	
10	T28850	ELBOW FITTING	1		X	7/16"-20UNF X 1/8"-27NPT
11	.....	FITTING	NA		X	
12	R104907	HELICAL GEAR	1		X	Z = 48

# 1C13

FUEL INJECTION SYSTEM

CD37293 -UN-17FEB95

1699A



CD37293

KEY	PART NO.	PART NAME	QTY	ENGINE SERIAL NO.	REMARKS
				0	
				3	
				9	
				D	
1	RE43284	FUEL LINE	1	X	NO.1
2	RE43285	FUEL LINE	1	X	NO.2
3	RE43286	FUEL LINE	1	X	NO.3
4	RE43287	FUEL LINE	1	X	NO.4
5	AR89852	FUEL LINE	1	X	REAR
6	T29969	CLAMP	AR	X	
7	19M7923	CAP SCREW	2	X	M6 X 12, (10.9)
8	RE19797	CLAMP	2	X	
9	RE19799	CLAMP	1	X	
10	16H658	RIVET	AR	X	1/4" X 5/8"

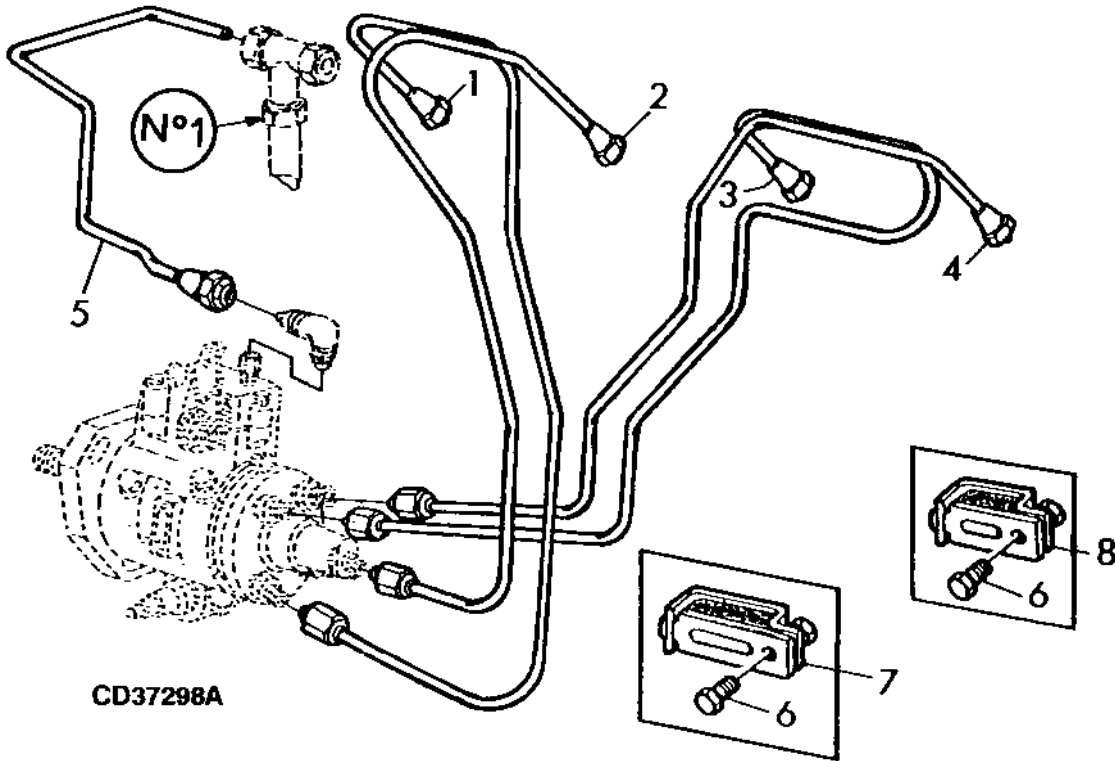


# 1C14

FUEL INJECTION SYSTEM

CD37298A -UN-28NOV95

1699B



CD37298A

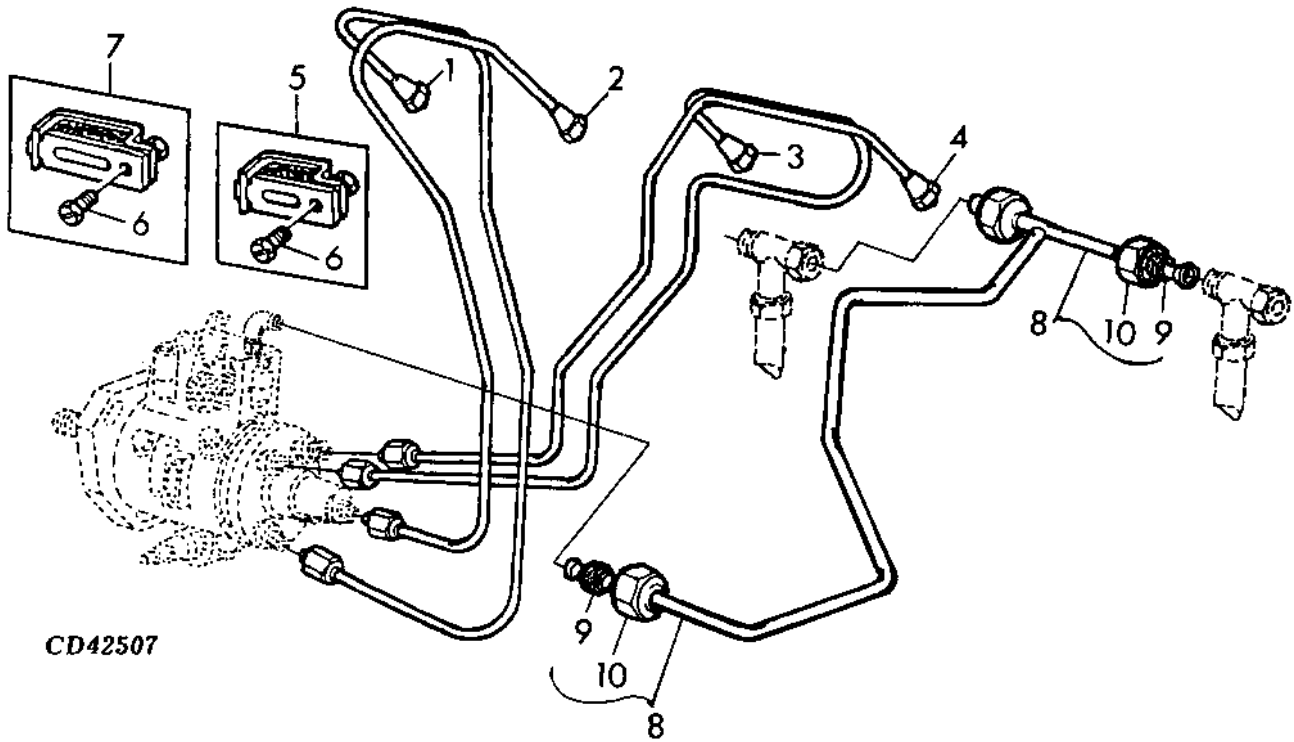
KEY	PART NO.	PART NAME	QTY	ENGINE SERIAL NO.	REMARKS
				0	
				3	
				9	
				T	
1	RE43284	FUEL LINE	1	X	NO. 1
2	RE43285	FUEL LINE	1	X	NO. 2
3	RE43286	FUEL LINE	1	X	NO. 3
4	RE43287	FUEL LINE	1	X	NO. 4
5	RE25933	FUEL LINE	1	X	
6	19M7923	CAP SCREW	1	X	M6 X 12, (10.9)
7	RE19799	CLAMP	1	X	
8	RE19797	CLAMP	2	X	

# 1C15

FUEL INJECTION SYSTEM

CD42507 -UN-03APR98

1699C



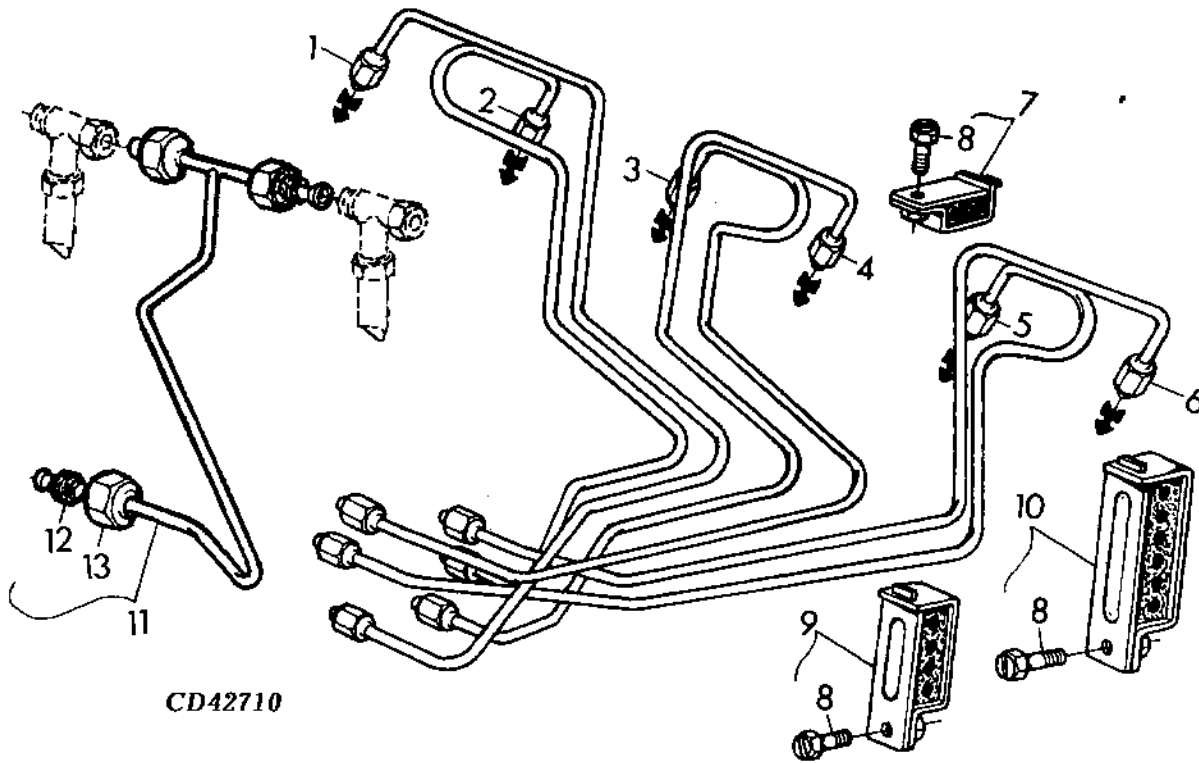
KEY	PART NO.	PART NAME	QTY	ENGINE SERIAL NO.	0 4 5 T & H	REMARKS
1	RE59447	FUEL LINE	1		X	NO.1
2	RE59448	FUEL LINE	1		X	NO.2
3	RE59449	FUEL LINE	1		X	NO.3
4	RE59450	FUEL LINE	1		X	NO.4
5	RE19797	CLAMP	2		X	
6	19M7923	CAP SCREW	1		X	M6 X 12, (10.9)
7	RE19799	CLAMP	1		X	
8	RE70848	FUEL LINE	1		X	
9	R51936	PACKING	3		X	
10	R123593	NUT	3		X	1/2"-24UNS

# 1C16

FUEL INJECTION SYSTEM

CD42710 -UN-24FEB99

1699D



CD42710

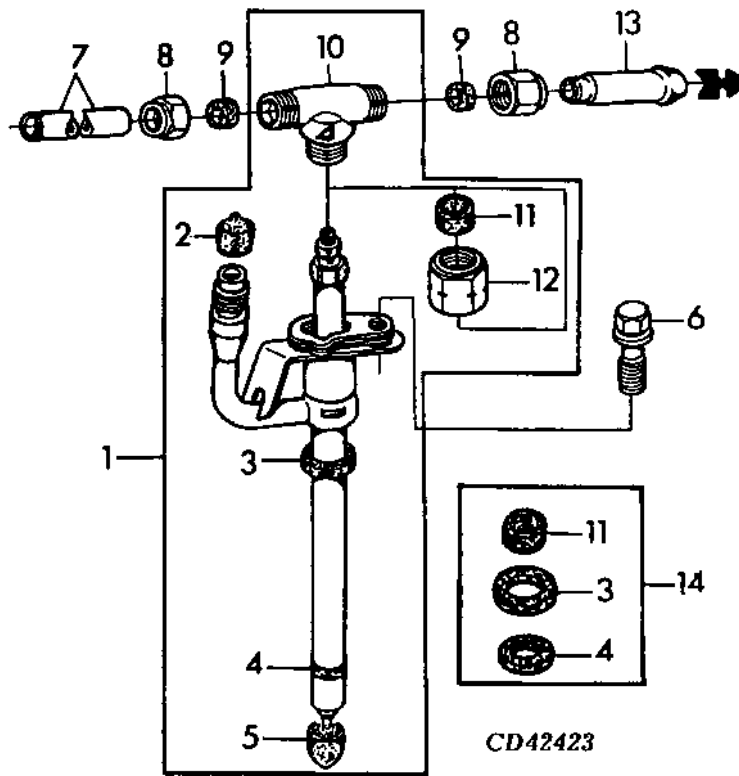
KEY	PART NO.	PART NAME	QTY	ENGINE SERIAL NO.	REMARKS
1	RE60055	FUEL LINE	1		X NO.1
2	RE60056	FUEL LINE	1		X NO.2
3	RE60057	FUEL LINE	1		X NO.3
4	RE60058	FUEL LINE	1		X NO.4
5	RE60059	FUEL LINE	1		X NO.5
6	RE60060	FUEL LINE	1		X NO.6
7	RE19797	CLAMP	5		X
8	19M7923	CAP SCREW	1		X M6 X 12, (10.9)
9	RE19799	CLAMP	1		X
10	RE19800	CLAMP	1		X
11	RE70848	FUEL LINE	1		X
12	R51936	PACKING	2		X
13	R123593	NUT	2		X 1/2"-24UNS

0  
6  
8  
T  
&  
H

# 1C17

CD42423 -UN-26FEB98

1699E



CD42423

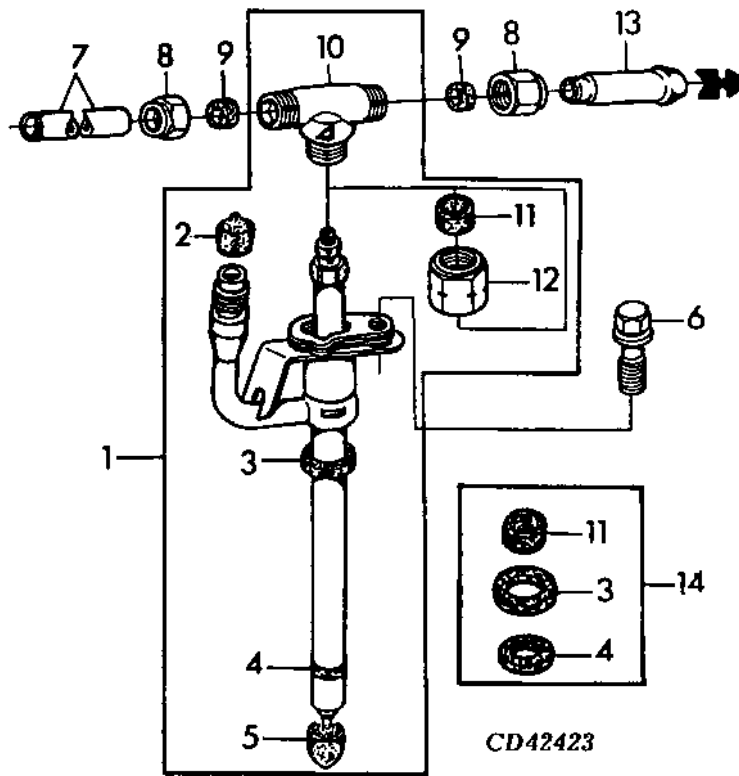
KEY	PART NO.	PART NAME	QTY	ENGINE SERIAL NO.	D T		REMARKS
					D	T	
1	RE36935	INJECTION NOZZLE	4		X		(MARKED 28480)
	RE36939	INJECTION NOZZLE	4			X	(MARKED 28484)
2	.....	PLUG	NA		X	X	
3	.....	PACKING	1		X		TK 3MM, ORD RE65201
	.....	PACKING	1			X	TK 1.9MM, ORD RE64292
4	.....	WASHER	1		X		ORD RE65201
	.....	WASHER	1			X	ORD RE64292
5	.....	PLUG	NA		X	X	
6	R101201	CAP SCREW	3		X	X	
7	R66090	TUBE	2		X		LGTH 108MM
	R66090	TUBE	3			X	LGTH 108MM
8	R123593	NUT	8		X	X	1/2"-24UNS
9	R51936	PACKING	8		X	X	
10	R71963	TEE FITTING	1		X		
11	.....	WASHER	1		X		ORD RE65201
	.....	WASHER	1			X	ORD RE64292
12	R79604	TUBE NUT	1		X	X	
13	R500731	HOSE FITTING	1		X	X	REAR
14	RE65201	O-RING KIT	AR			X	
	RE64292	O-RING KIT	AR			X	

# 1C18

## FUEL INJECTION SYSTEM

CD42423 -UN-26FEB98

1699F



0 0  
4 6  
5 8  
T T  
& &  
H H

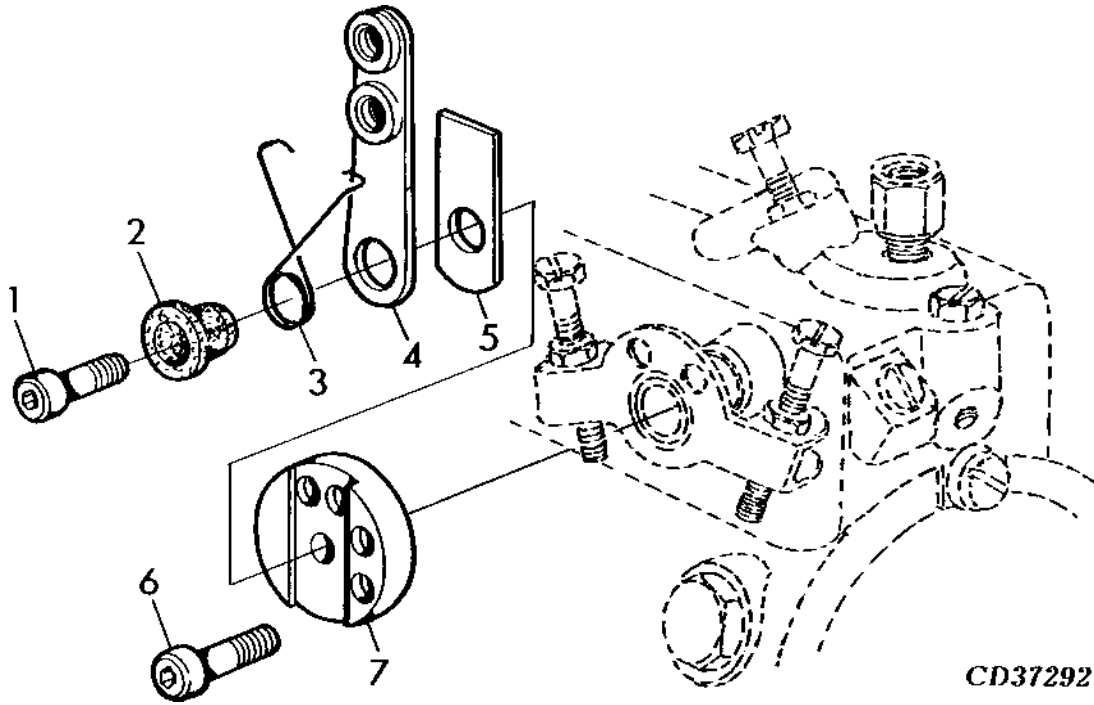
KEY	PART NO.	PART NAME	QTY	ENGINE SERIAL NO.	REMARKS
1	RE48786	INJECTION NOZZLE	4	X	(MARKED 29279)
	RE48786	INJECTION NOZZLE	6	X	(MARKED 29279)
2	.....	PLUG	NA	X X	
3	.....	PACKING	1	X X	TK 1.9MM, ORD RE64292
4	.....	WASHER	1	X X	ORD RE64292
5	.....	PLUG	NA	X X	
6	R116366	SCREW	4	X	
	R116366	SCREW	6	X	
7	R66090	TUBE	2	X	LGTH 108MM
	R66090	TUBE	4	X	LGTH 108MM
8	R123593	NUT	6	X	
	R123593	NUT	10	X	
9	R51936	PACKING	6	X	
	R51936	PACKING	10	X	
10	R71963	TEE FITTING	1	X X	
11	.....	WASHER	1	X X	ORD RE64292
12	R79604	TUBE NUT	1	X X	
13	R500731	HOSE FITTING	1	X X	REAR
14	RE64292	O-RING KIT	AR	X X	

# 1C19

FUEL INJECTION SYSTEM

CD37292 -UN-17FEB95

1699G



KEY	PART NO.	PART NAME	QTY	ENGINE SERIAL NO.	M O D E L L S	REMARKS
1	R70513	SCREW	1		X	(A)
2	T17950	RETAINER	1		X	(A)
3	T17949	SPRING	1		X	(A)
4	T19858	LEVER	1		X	(A)
5	T19860	STRAP	1		X	(A)
6	T11917	SCREW	1		X	(A)
7	T19861	SPACER	1		X	(A)

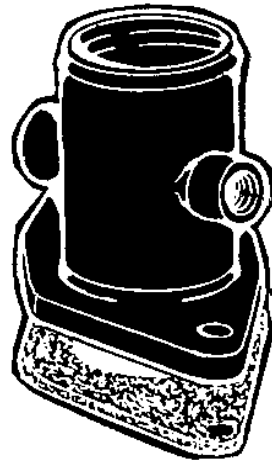
(A) SEE YOUR AUTHORIZED PUMP REPAIR STATION FOR PARTS NOT LISTED

# 1C21

## SECTIONAL INDEX

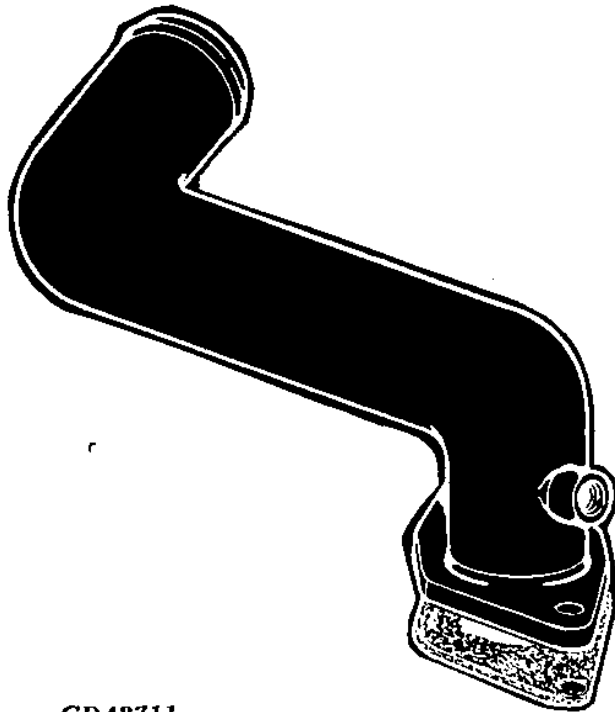
CD42711 -UN-11FEB99

1703 -	1C22
1712 -	1C23
1740 -	1C25
1748 -	1D1



1703 (039D)

1712 (045H&068H)



1735 (039T)

1740 (045T)

1748 (068T)

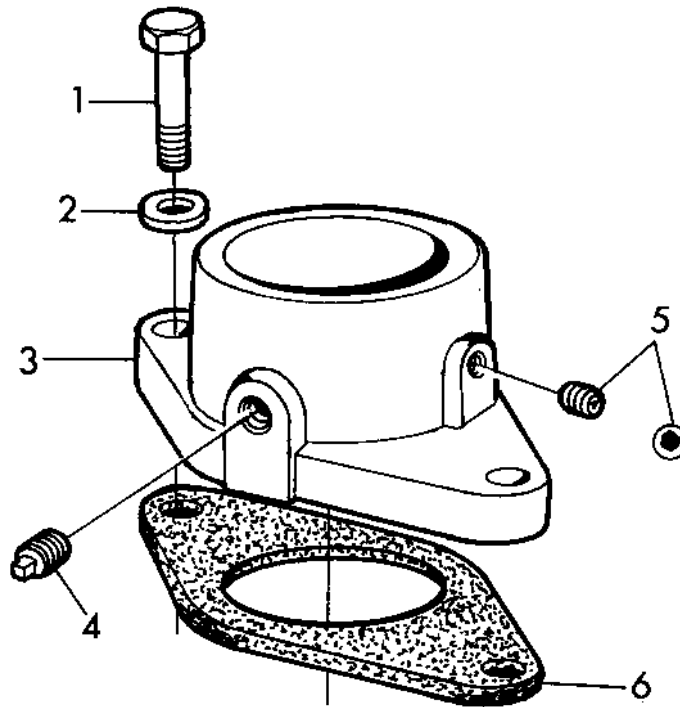
CD42711

# 1C22

INTAKE MANIFOLD

CD40412 -UN-02FEB98

1703



CD40412

KEY	PART NO.	PART NAME	QTY	ENGINE SERIAL NO.	REMARKS
1	19H3483	CAP SCREW	2		X 3/8" X 1-1/8", (SAE 8)
2	24M7096	WASHER	2		X 10.500 X 18 X 1.600 MM
3	R128602	AIR INTAKE	1		X
4	15H623	PIPE PLUG	1		X 3/8"-18NPT
5	R104592	PIPE PLUG	1		X 1/8"-27NPT
6	R81275	GASKET	1		X

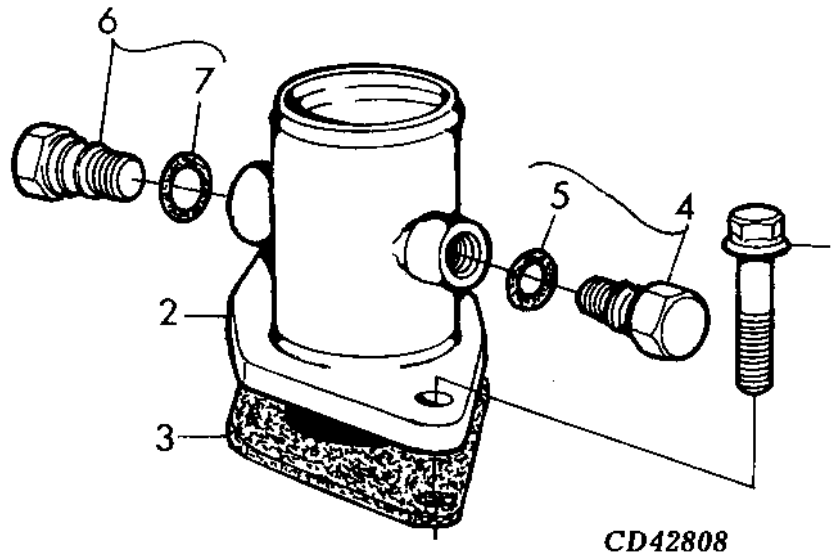


# 1C23

INTAKE MANIFOLD

CD42808 -UN-15DEC98

1712



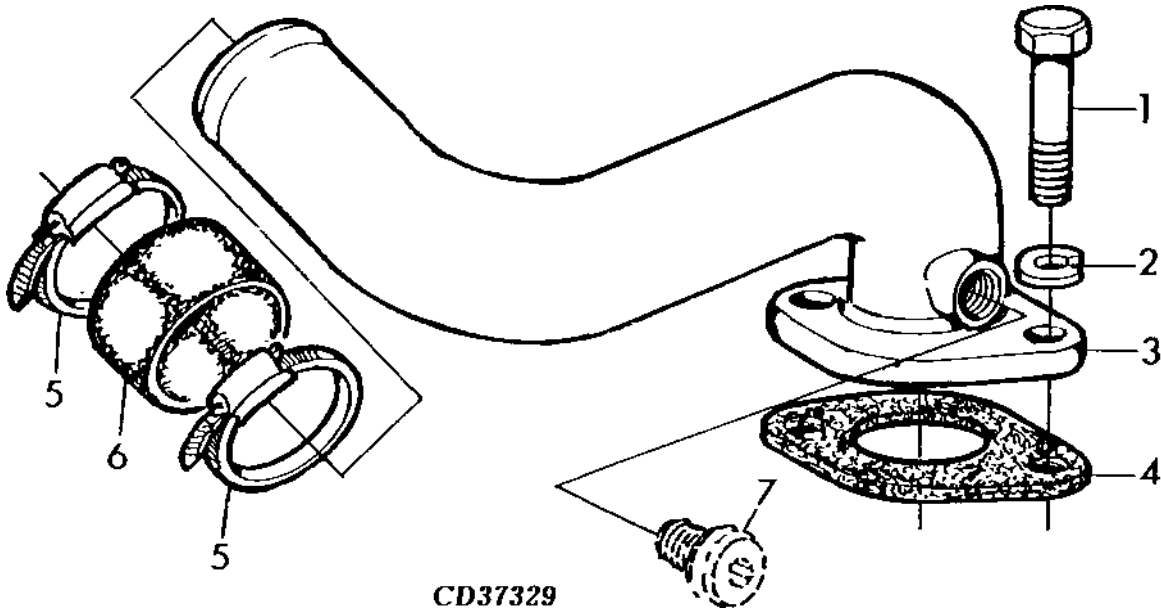
KEY	PART NO.	PART NAME	QTY	ENGINE SERIAL NO.	REMARKS
				0	
				4	
				5	
				H	
1	19M7786	SCREW	2	X	M10 X 30, (10.9)
2	RE60112	AIR DUCT	1	X	
3	R81275	GASKET	1	X	
4	RE60071	PIPE PLUG	1	X	M10 X 1 , INCL KEY 5
5	51M7039	O-RING	1	X	8.100 X 1.600 MM
6	RE46684	PIPE PLUG	1	X	M14 X 1.5 , INCL KEY 7
7	51M7041	O-RING	1	X	11.300 X 2.200 MM

# 1C24

INTAKE MANIFOLD

CD37329 -UN-31AUG95

1735



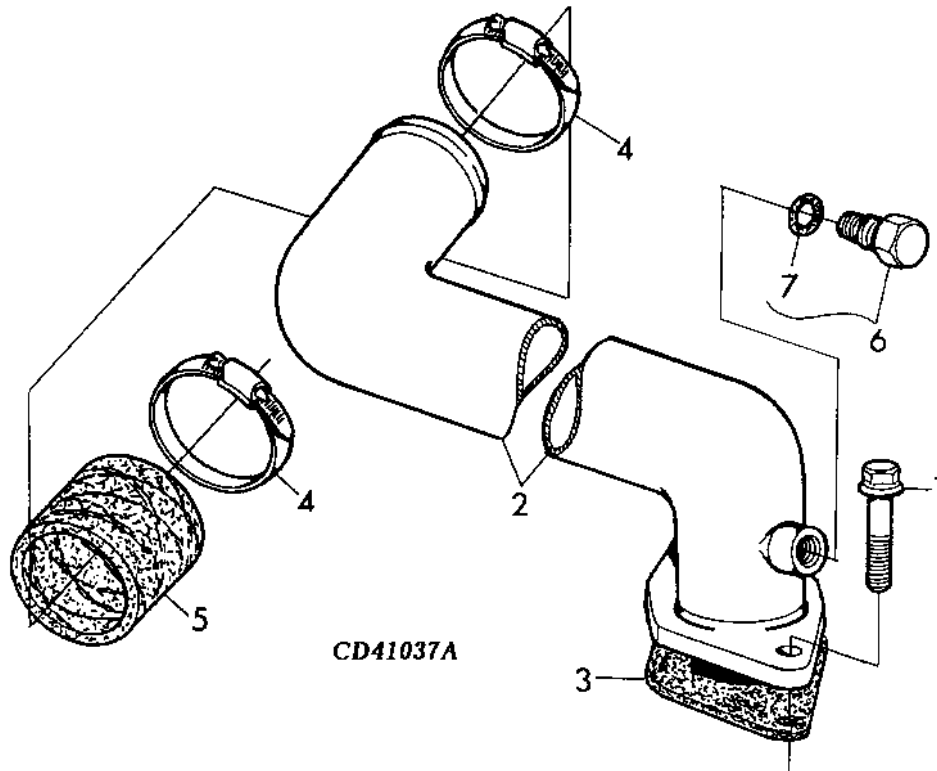
KEY	PART NO.	PART NAME	QTY	ENGINE SERIAL NO.	0 3 9 T	REMARKS
1	19H3483	CAP SCREW	2		X	3/8" X 1-1/8", (SAE 8)
2	12H304	LOCK WASHER	2		X	3/8"
3	RE46784	AIR DUCT	1		X	
4	R81275	GASKET	1		X	
5	AR65294	CLAMP	2		X	
6	R121568	HOSE	1		X	
7	.....	PIPE PLUG	1		X	7/8"-14UNF

# 1C25

INTAKE MANIFOLD

CD41037A -UN-25NOV97

1740



KEY	PART NO.	PART NAME	QTY	ENGINE SERIAL NO.	REMARKS
1	19M7785	SCREW	2	0	X M10 X 25, (10.9)
2	RE59341	TUBE	1	4	X
3	R81275	GASKET	1	5	X
4	AR65294	CLAMP	2	T	X
5	R121568	HOSE	1		X
6	RE60071	FITTING	1		X
7	51M7039	O-RING	1		X 8.100 X 1.600 MM

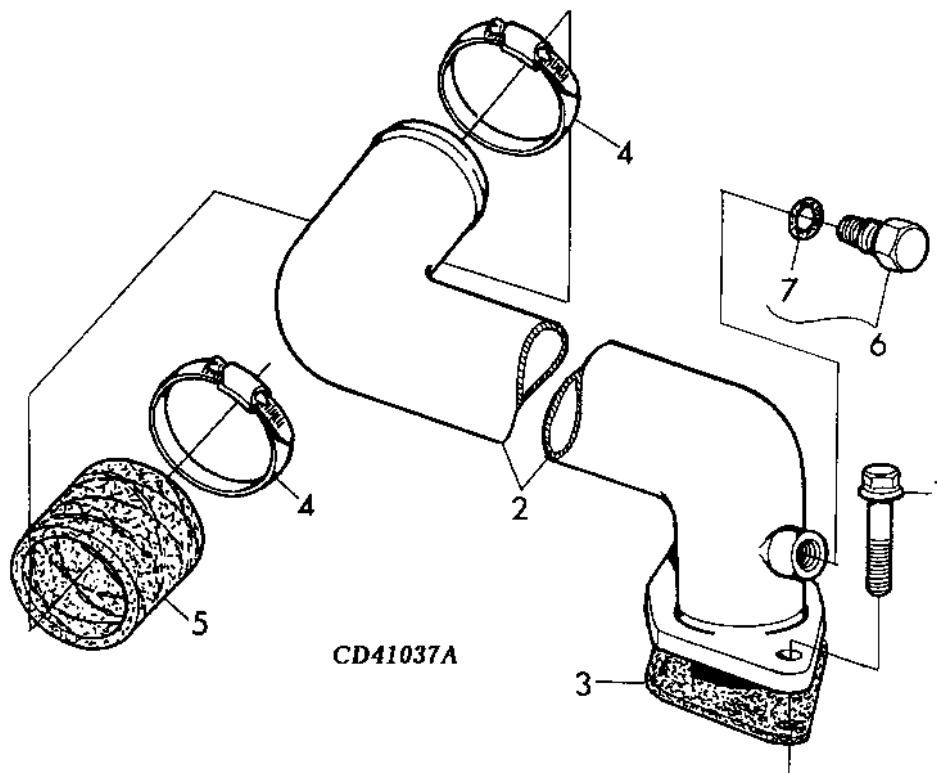
MEMORANDA

# 1D1

INTAKE MANIFOLD

CD41037A -UN-25NOV97

1748



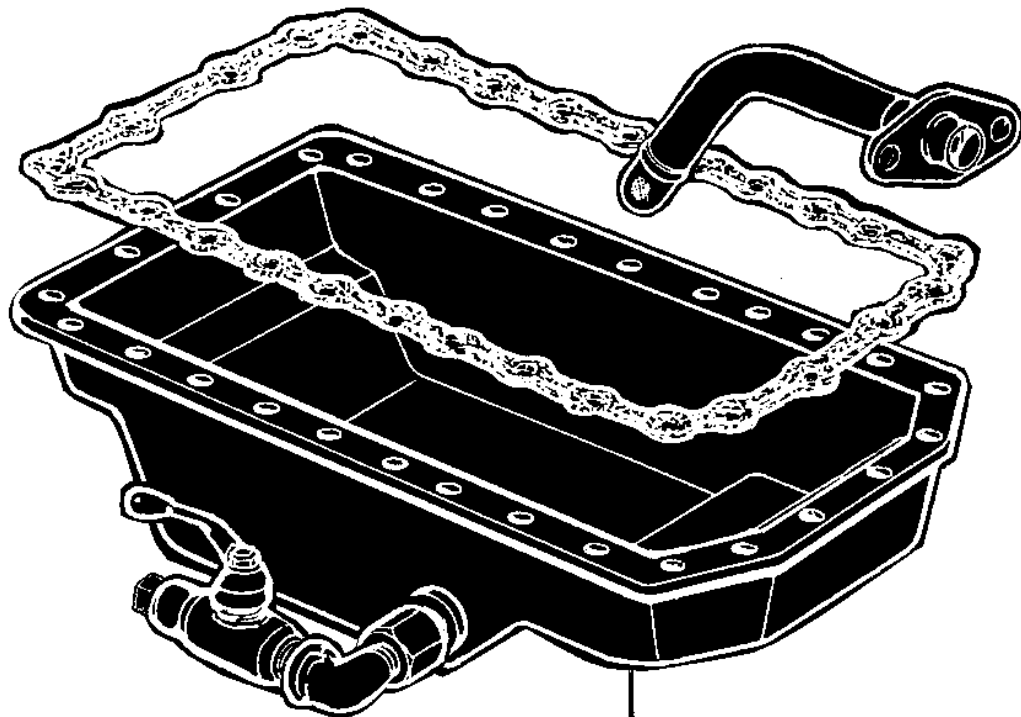
KEY	PART NO.	PART NAME	QTY	ENGINE SERIAL NO.	REMARKS
				0	
				6	
				8	
				T	
1	19M7785	SCREW	2	X	M10 X 25, (10.9)
2	RE59469	INTAKE MANIFOLD	1	X	
3	R81275	GASKET	1	X	
4	AR65294	CLAMP	2	X	
5	R121568	HOSE	1	X	
6	RE60071	PIPE PLUG	1	X	M10 X 1
7	51M7039	O-RING	1	X	8.100 X 1.600 MM

# 1D3

SECTIONAL INDEX

CD42714 -UN-15FEB99

1908 -	1D5
1949 -	1D6
1950 -	1D7
1950 -	1D8



1908 (039D&T)

1949 (045T&H)

CD42714

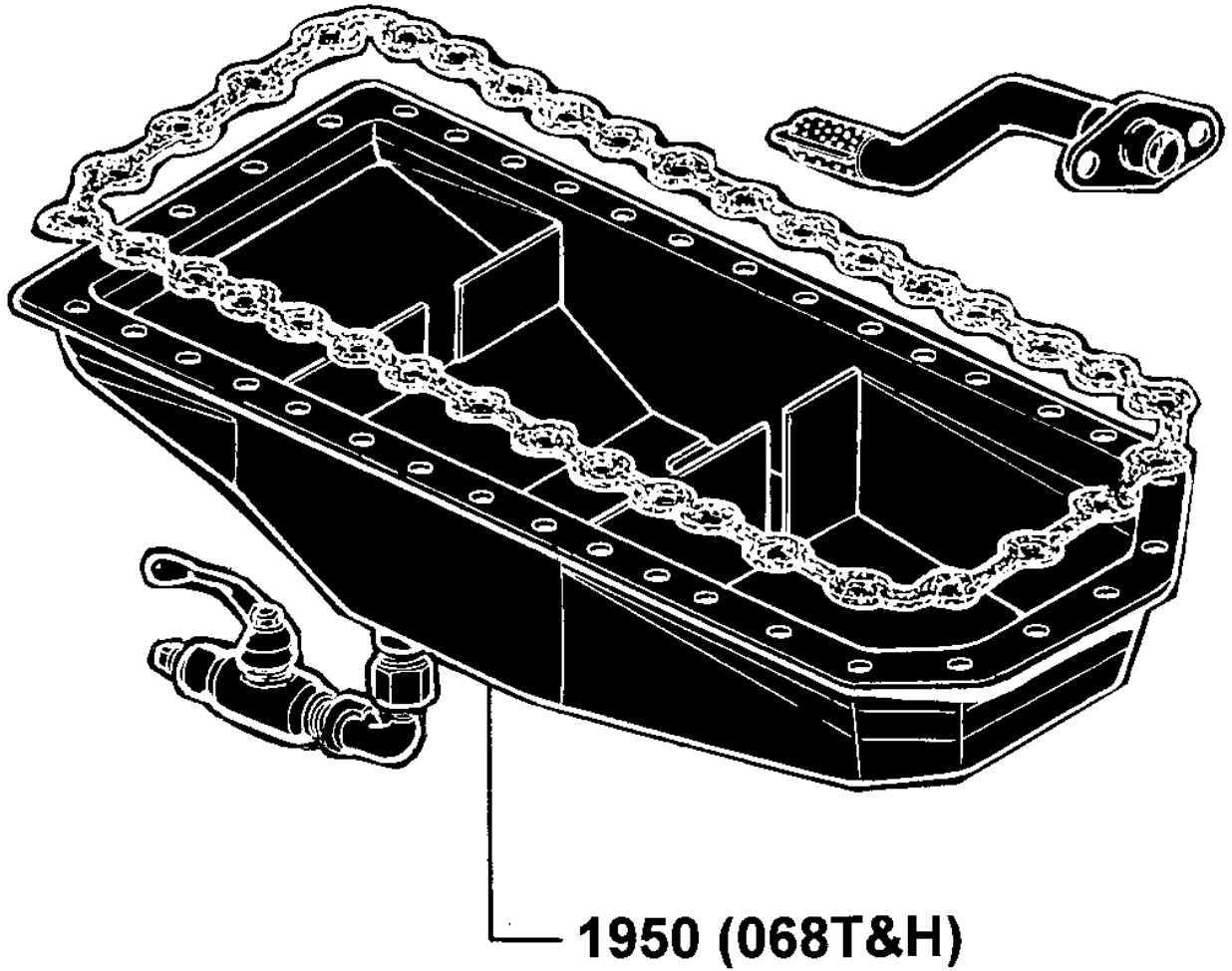
# 1D4

OIL PAN

## SECTIONAL INDEX

CD42715 -UN-12FEB99

1908 -	1D5
1949 -	1D6
1950 -	1D7
1950 -	1D8



CD42715

MEMORANDA

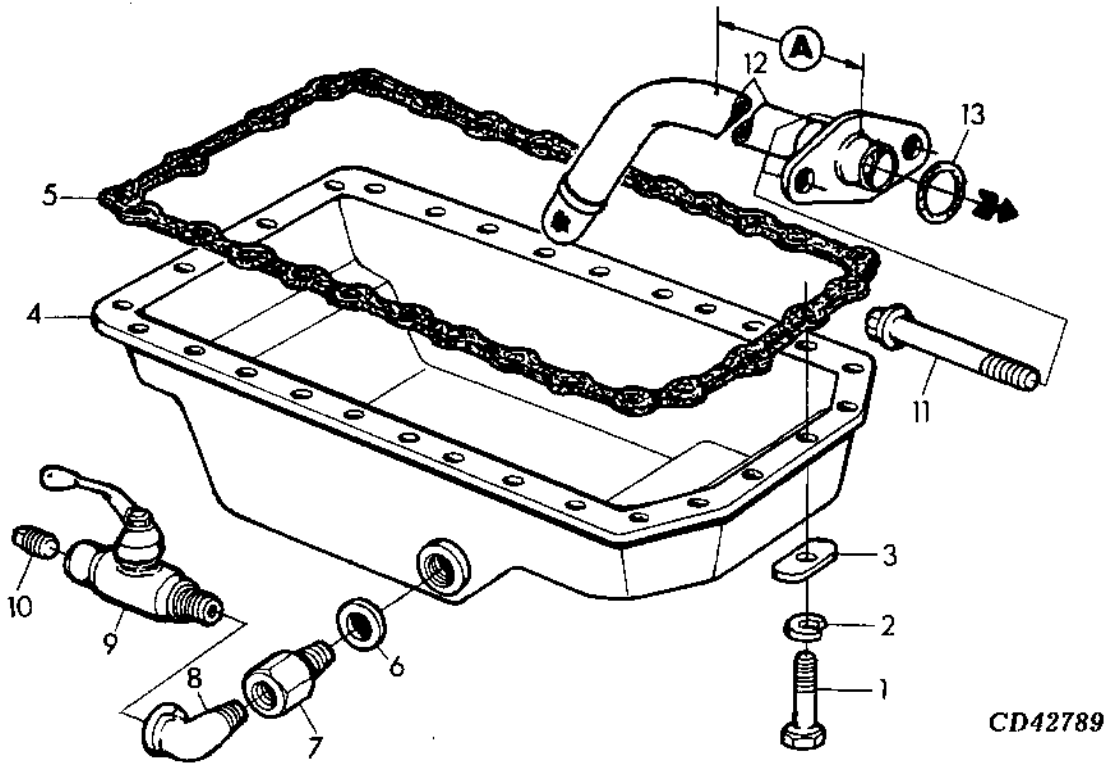


# 1D5

OIL PAN

CD42789 -UN-19FEB99

1908



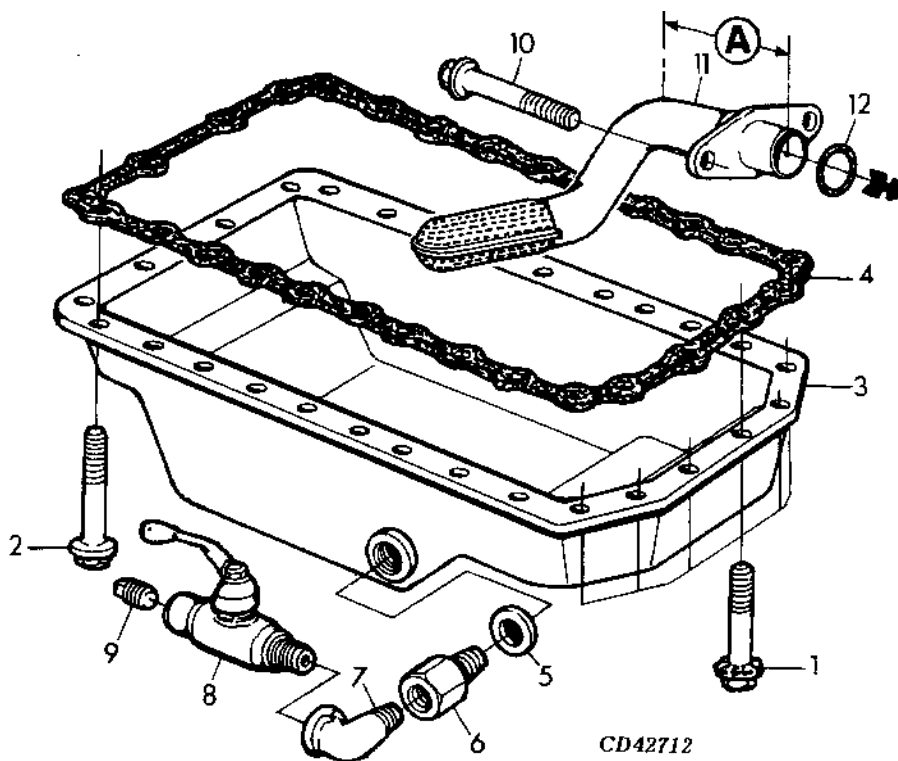
KEY	PART NO.	PART NAME	QTY	ENGINE SERIAL NO.	0 3 9 D & T	REMARKS
1	19H2676	CAP SCREW	28		X	3/8" X 1", (SAE 8)
2	12H304	LOCK WASHER	28		X	3/8"
3	T30726	STRAP	28		X	
4	RE57482	OIL PAN	1		X	
5	R123352	GASKET	1		X	
6	R120247	SEALING WASHER	1		X	COPPER
7	R124128	ADAPTER	1		X	M22 X 1.5MM X 1/2"-14NPT
8	15H602	ELBOW FITTING	1		X	1/2"
9	RE503101	SHUT-OFF VALVE	1		X	
10	15H584	PIPE PLUG	1		X	1/2"
11	R59409	CAP SCREW	2		X	LGTH 102MM (SAE 8)
12	RE64211	OIL PUMP INTAKE	1		X	A = 114MM, KIT, W/ INSTRUCTIONS
13	R61871	O-RING	1		X	

# 1D6

OIL PAN

CD42712 -UN-15FEB99

1949



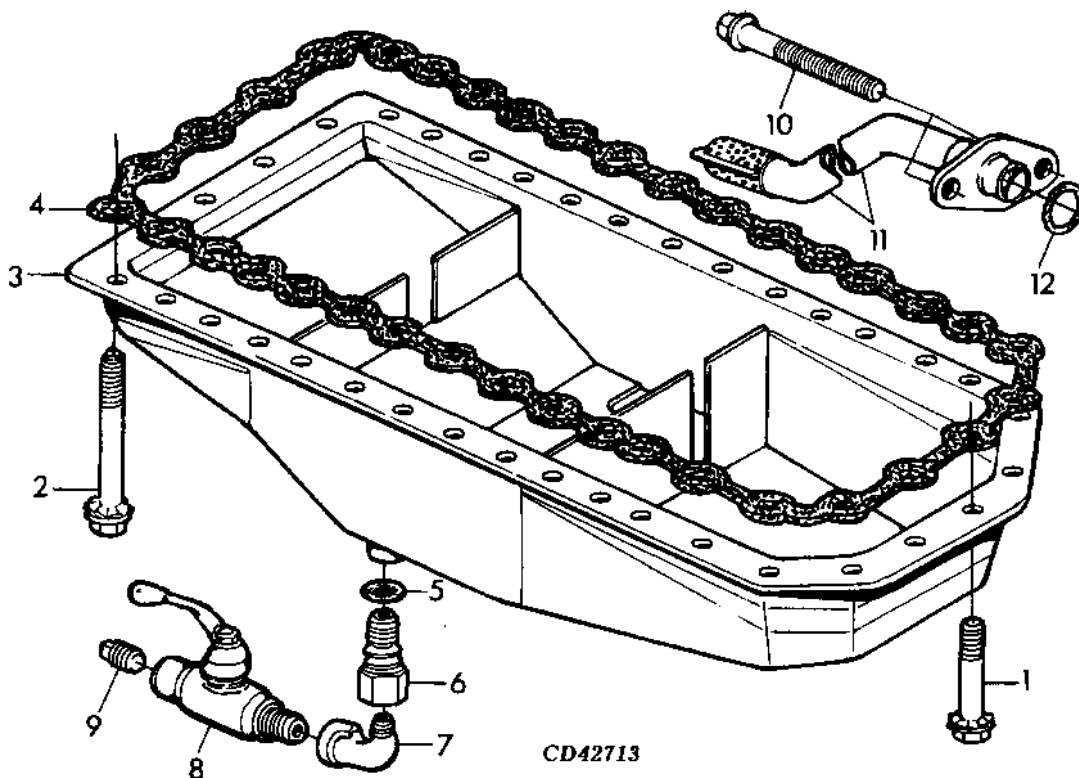
KEY	PART NO.	PART NAME	QTY	ENGINE SERIAL NO.	REMARKS
					0
					4
					5
					T
					&
					H
1	19M7866	SCREW	6	X	M8 X 20, (10.9) ONE TIME USAGE
2	19M7902	SCREW	22	X	M8 X 16, (12.9) ONE TIME USAGE
3	RE57482	OIL PAN	1	X	
4	R123352	GASKET	1	X	
5	R120247	RING	1	X	COPPER
6	R124128	ADAPTER	1	X	M22 X 1.5MM X 1/2"-14NPT
7	15H602	ELBOW FITTING	1	X	COPPER
8	RE503101	SHUT-OFF VALVE	1	X	
9	15H584	PIPE PLUG	1	X	1/2"
10	19M7970	SCREW	2	X	M8 X 100, (10.9)
11	RE57619	OIL PUMP INTAKE	1	X	A = 67MM, INCL. INSTRUCTIONS
12	R61871	O-RING	1	X	

# 1D7

OIL PAN

CD42713 -UN-11FEB99

1950



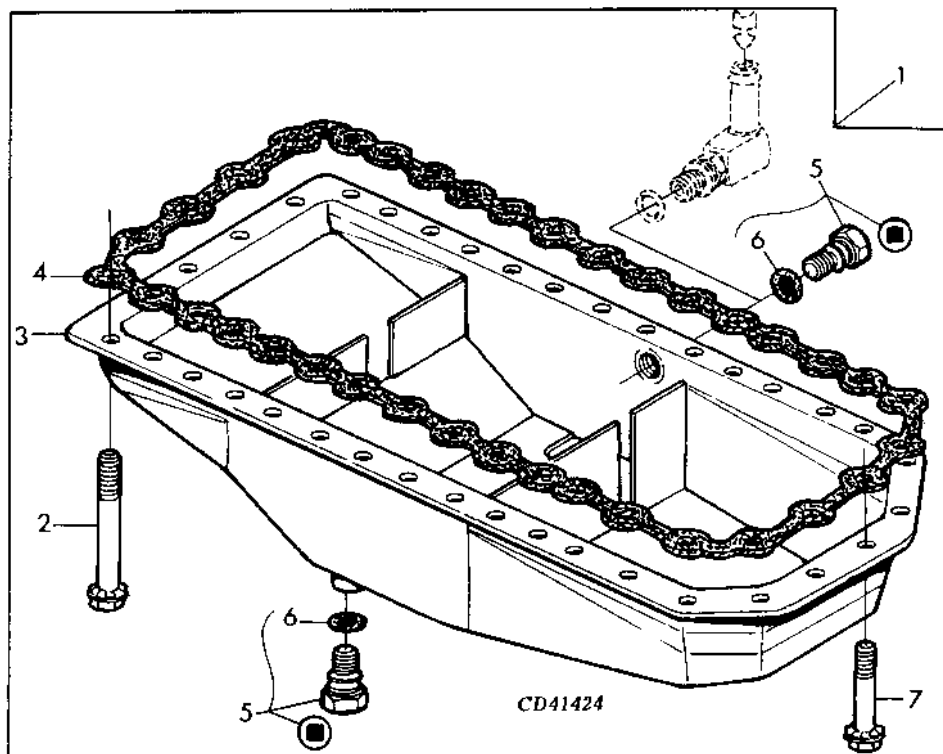
KEY	PART NO.	PART NAME	QTY	ENGINE SERIAL NO.	0 6 8 T & H	REMARKS
1	19M7866	SCREW	6		X	M8 X 20, (10.9) ONE TIME USAGE
2	19M7902	SCREW	22		X	M8 X 16, (12.9) ONE TIME USAGE
3	.....	OIL PAN	1		X	MARKED RE500612, ORD RE503224
4	R500349	GASKET	1		X	
5	51M7045	O-RING	1		X	19.300 X 2.200 MM
6	R501657	ADAPTER	1		X	M22 X 1.5 X 1/2"-14NPT
7	15H602	ELBOW FITTING	1		X	1/2"
8	RE503101	SHUT-OFF VALVE	1		X	1/2"
9	15H584	PIPE PLUG	1		X	1/2"
10	19M8986	SCREW	2		X	M8 X 100, (10.9)
11	RE71143	OIL PUMP INTAKE	1		X	
12	R61871	O-RING	1		X	

# 1D8

OIL PAN

CD41424 -UN-12JAN99

1950 - CONTINUED



KEY	PART NO.	PART NAME	QTY	ENGINE SERIAL NO.	0 6 8 T & H	REMARKS
1	RE503224	KIT	1		X	
2	19M7902	SCREW	30		X	M8 X 16, (12.9) ONE TIME USAGE
3	.....	OIL PAN	1		X	MARKED RE500612, ORD RE503224
4	R500349	GASKET	1		X	
5	RE500611	HOSE FITTING	AR		X	M22 X 1.5
6	51M7045	O-RING	1		X	19.300 X 2.200 MM
7	19M7866	SCREW	6		X	M8 X 20, (10.9) ONE TIME USAGE

MEMORANDA

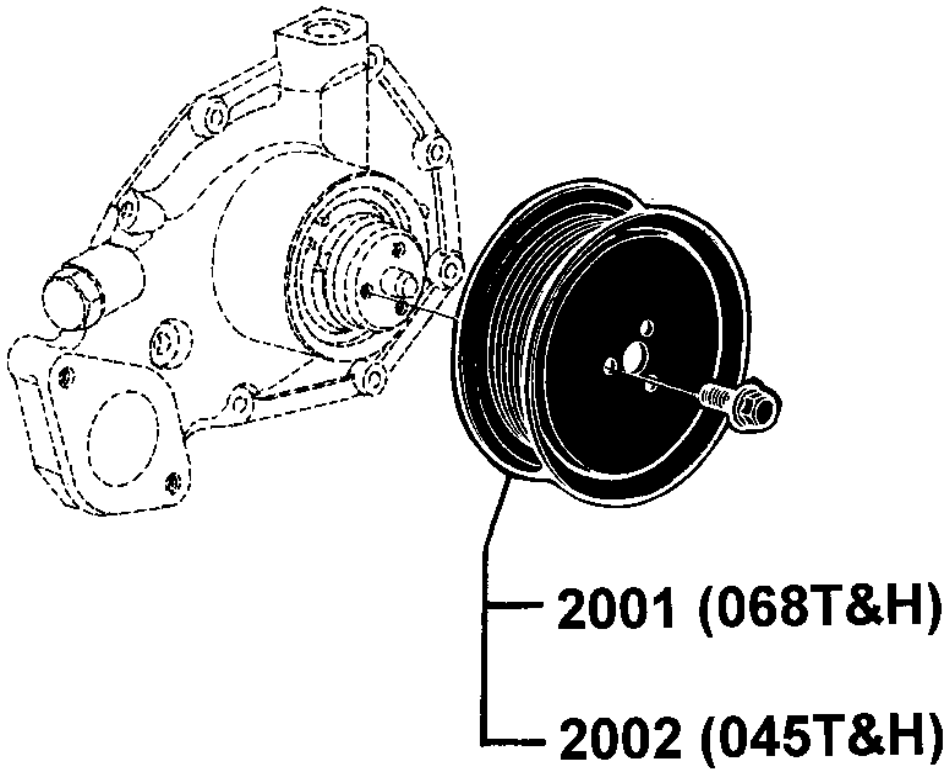
# 1D10

WATER PUMP

## SECTIONAL INDEX

CD42718 -UN-11FEB99

2001 -	1D12
2002 -	1D13
2026 -	1D14
2027 -	1D15



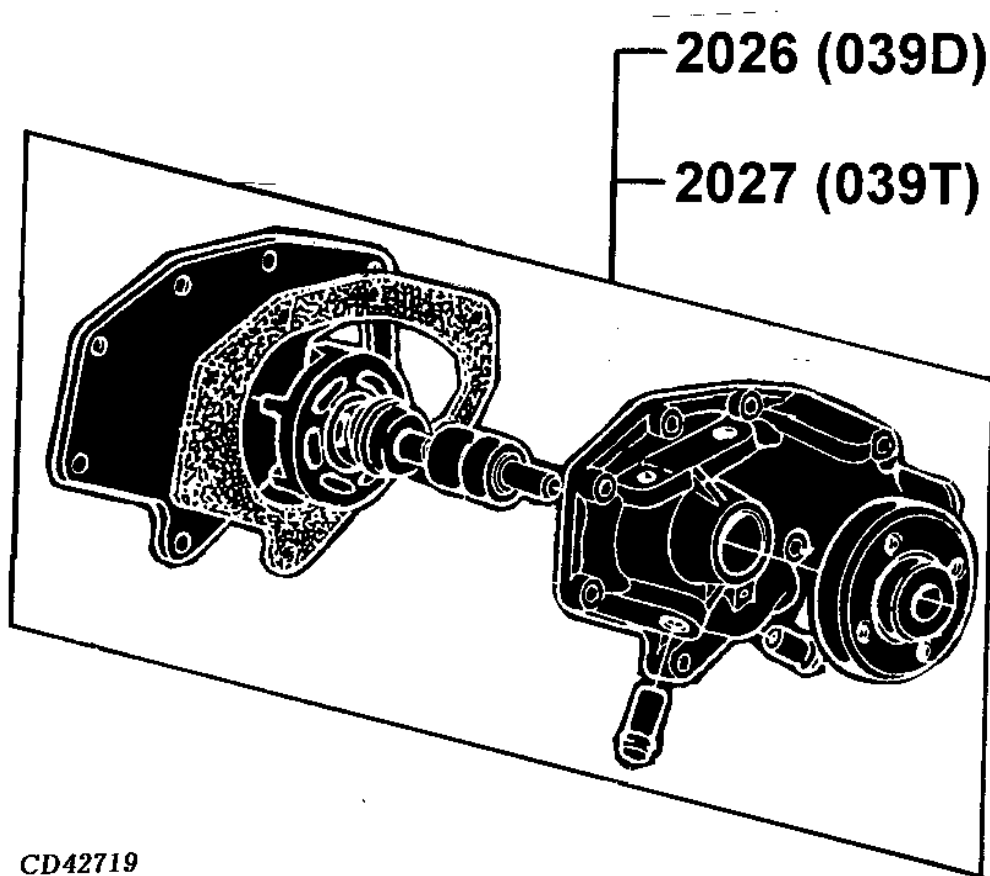
CD42718

# 1D11

## SECTIONAL INDEX

CD42719 -UN-11FEB99

2001 -	1D12
2002 -	1D13
2026 -	1D14
2027 -	1D15



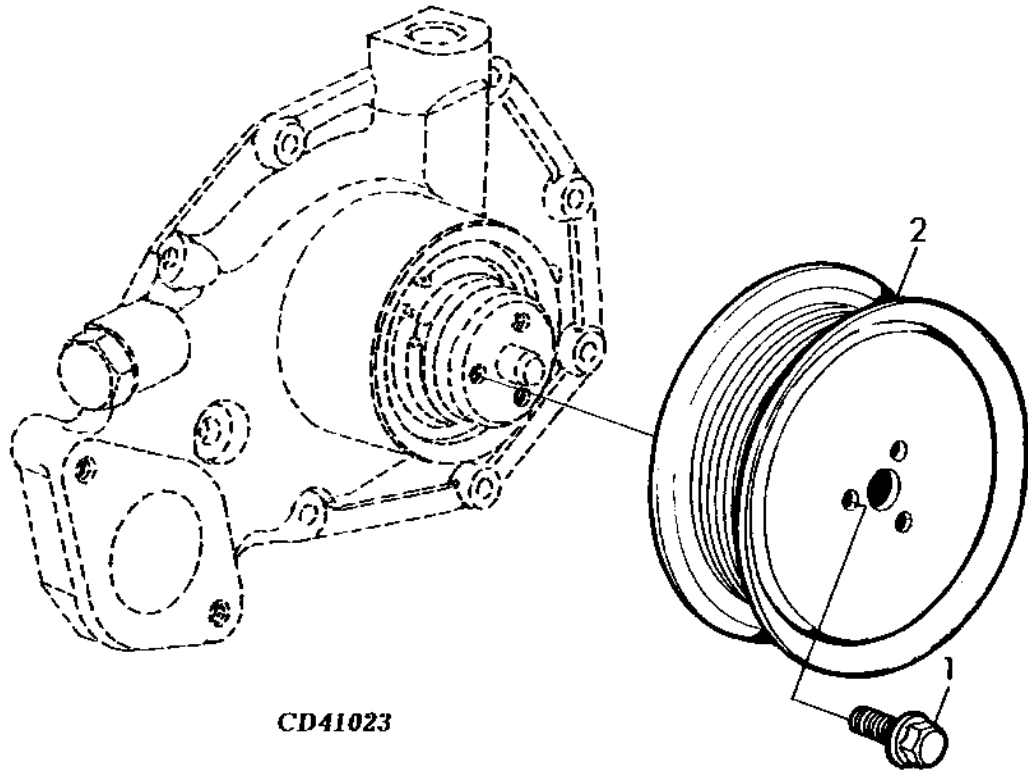
CD42719

# 1D12

WATER PUMP

CD41023 -UN-31JAN96

2001



CD41023

KEY	PART NO.	PART NAME	QTY	ENGINE SERIAL NO.	REMARKS
1	19M7774	SCREW	3		X M6 X 12, (10.9)
2	R115250	SHEAVE	1		X OD 98MM

0  
6  
8  
T  
&  
H

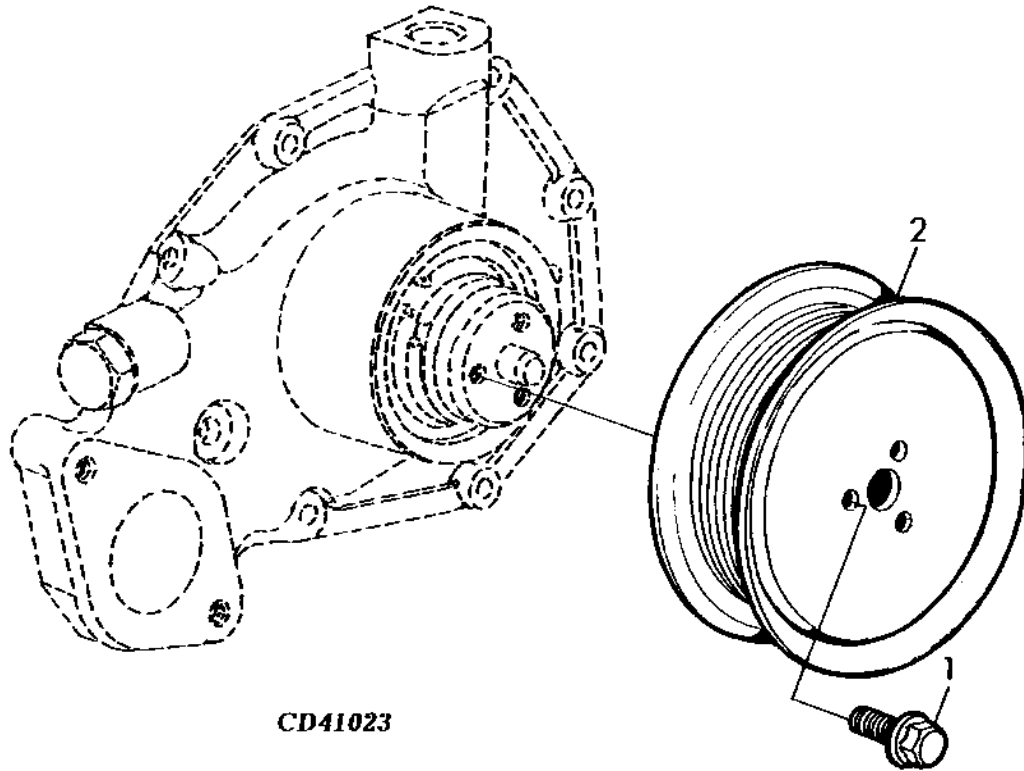


# 1D13

WATER PUMP

CD41023 -UN-31JAN96

2002



CD41023

KEY	PART NO.	PART NAME	QTY	ENGINE SERIAL NO.	REMARKS
1	19M7774	SCREW	3		X M6 X 12, (10.9)
2	R121038	SHEAVE	1		X OD 117MM

0  
4  
5  
T  
&  
H

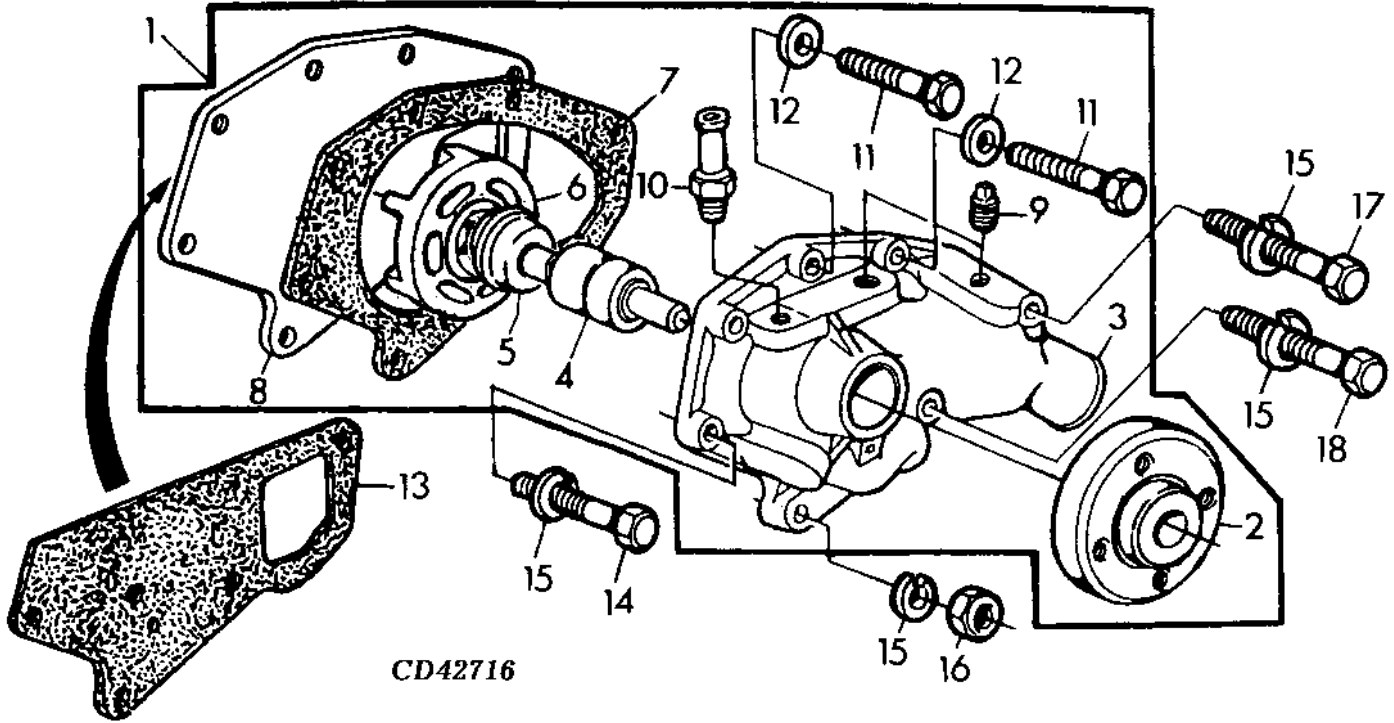
MEMORANDA

# 1D14

WATER PUMP

CD42716 -UN-24FEB99

2026



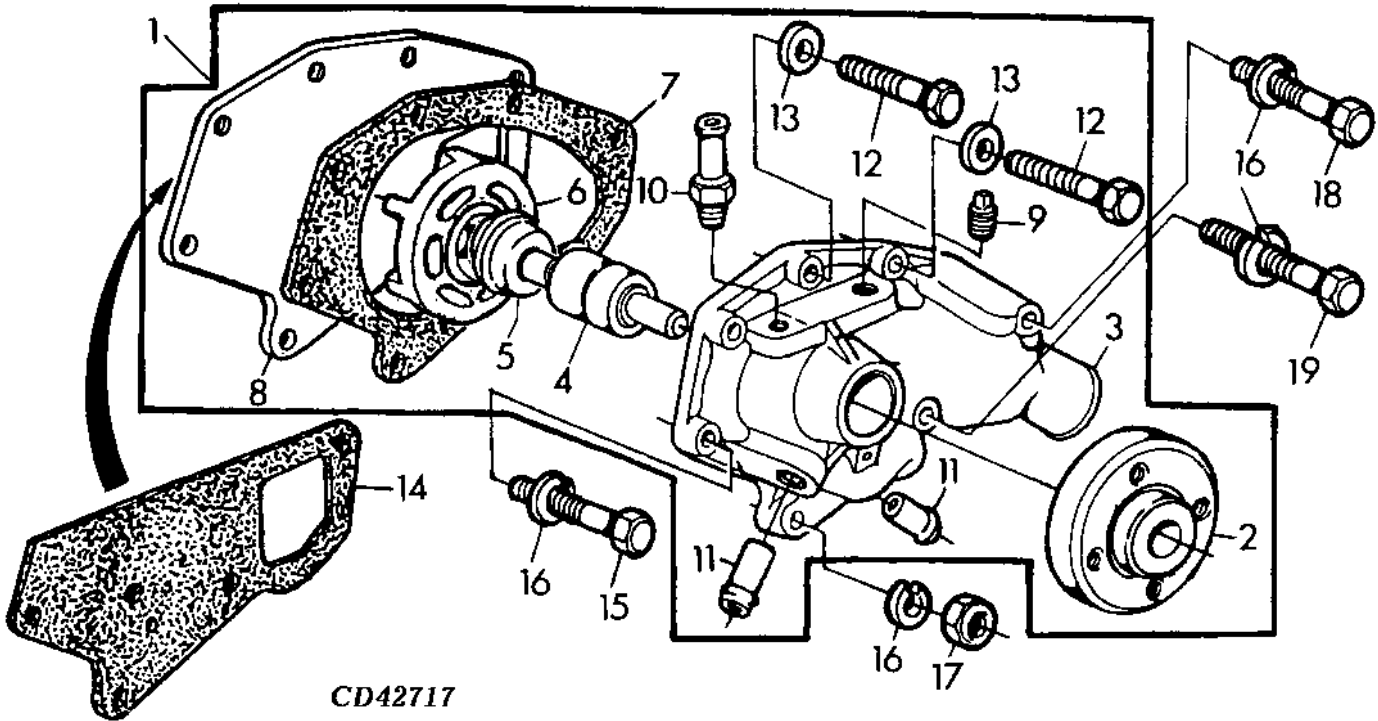
KEY	PART NO.	PART NAME	QTY	ENGINE SERIAL NO.	REMARKS
				0	
				3	
				9	
				D	
1	RE503264	WATER PUMP	1	X	
2	R130586	HUB	1	X	
3	.....	HOUSING	1	X	MARKED R67188, ORD RE503264
4	.....	BALL BEARING	1	X	ORD RE62658
5	.....	SEAL	1	X	ORD RE62658
6	.....	IMPELLER	1	X	ORD RE62658
7	R97455	GASKET	1	X	
8	R102901	COVER	1	X	TK 6MM
9	15H584	PIPE PLUG	2	X	1/2"-14NPT
10	T19651	HOSE FITTING	1	X	1/4"-18NPT, LGTH 40MM
11	19H3219	CAP SCREW	2	X	3/8" X 1-3/8", (SAE 8)
12	24M7096	WASHER	2	X	10.500 X 18 X 1.600 MM
13	T20243	GASKET	1	X	
14	19H3065	CAP SCREW	1	X	3/8" X 2", (SAE 8)
15	12H304	LOCK WASHER	4	X	3/8"
16	14H1076	NUT	1	X	3/8"
17	19H1912	CAP SCREW	1	X	3/8" X 3-1/2", (SAE 8)
18	19H3413	SCREW	1	X	3/8" X 3-1/4"

# 1D15

WATER PUMP

CD42717 -UN-24FEB99

2027



CD42717

KEY	PART NO.	PART NAME	QTY	ENGINE SERIAL NO.	T	REMARKS
					0	
					3	
					9	
					T	
1	RE503272	WATER PUMP	1		X	
2	R130586	HUB	1		X	
3	.....	HOUSING	1		X	MARKED R73604, ORD RE503272
4	.....	BALL BEARING	1		X	ORD RE62658
5	.....	SEAL	1		X	ORD RE62658
6	.....	IMPELLER	1		X	ORD RE62658
7	R97455	GASKET	1		X	
8	R102901	COVER	1		X	TK 6MM
9	15H584	PIPE PLUG	1		X	1/2"-14NPT
10	T19651	HOSE FITTING	1		X	1/4"-18NPT, LGTH 40MM
11	R48993	TUBE	2		X	OD 16MM
12	19H3219	CAP SCREW	2		X	3/8" X 1-3/8", (SAE 8)
13	24M7096	WASHER	2		X	10.500 X 18 X 1.600 MM
14	T20243	GASKET	1		X	
15	19H3065	CAP SCREW	1		X	3/8" X 2", (SAE 8)
16	12H304	LOCK WASHER	4		X	3/8"
17	14H1076	NUT	1		X	3/8"
18	19H1912	CAP SCREW	1		X	3/8" X 3-1/2"
19	19H3413	SCREW	1		X	3/8" X 3-1/4"

MEMORANDA

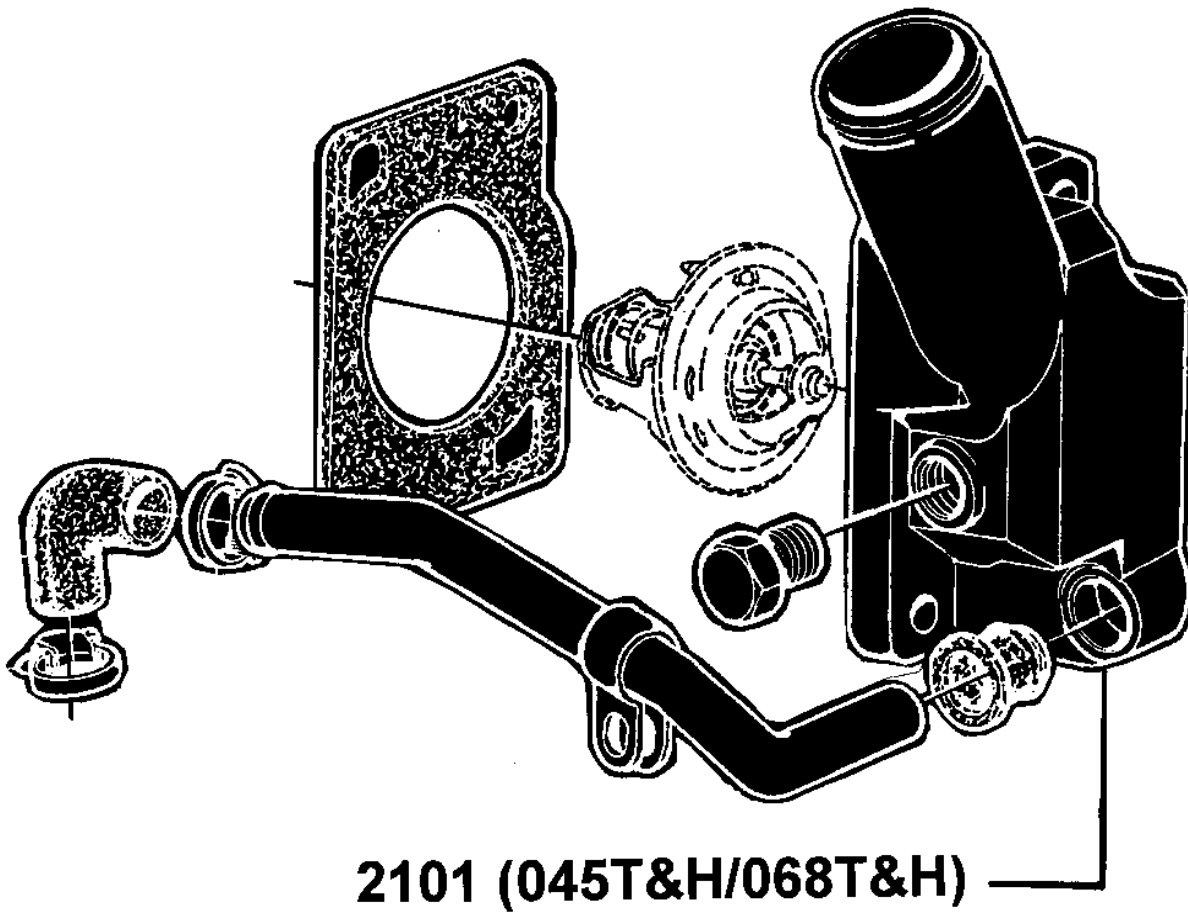
# 1D17

THERMOSTAT COVER

SECTIONAL INDEX

CD42721 -UN-11FEB99

2101 -	1D19
2109 -	1D20
2112 -	1D21



CD42721

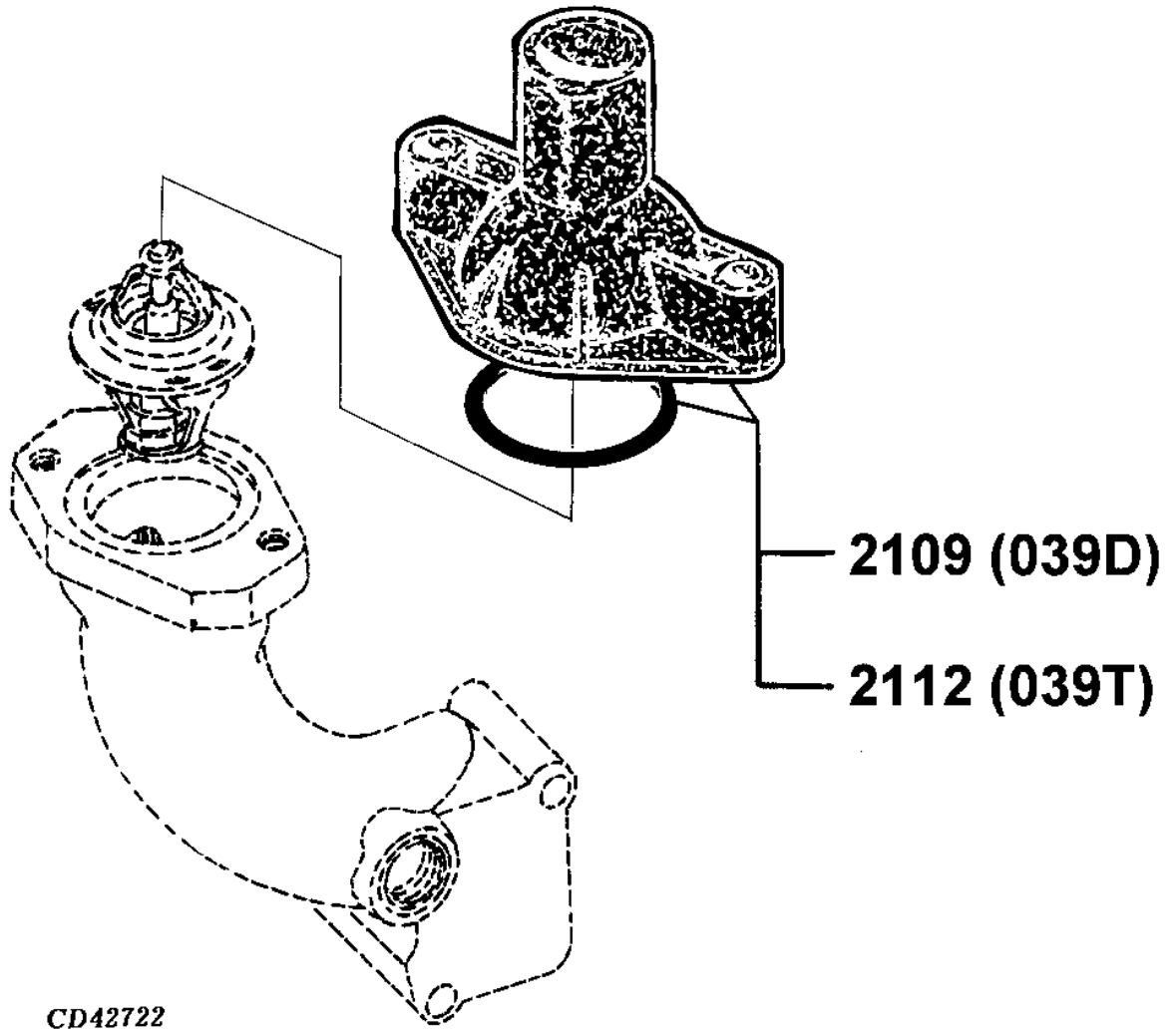
# 1D18

THERMOSTAT COVER

## SECTIONAL INDEX

CD42722 -UN-11FEB99

2101 -	1D19
2109 -	1D20
2112 -	1D21

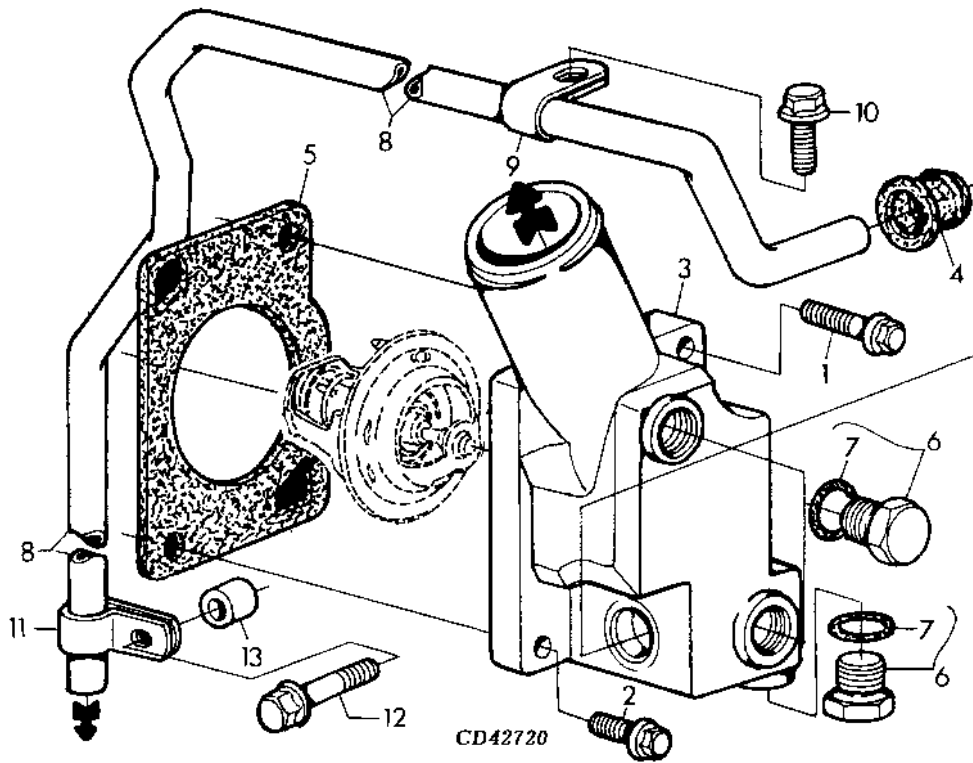


# 1D19

THERMOSTAT COVER

CD42720 -UN-24FEB99

2101



KEY	PART NO.	PART NAME	QTY	ENGINE SERIAL NO.	REMARKS
				0 0	
				4 6	
				5 8	
				T T	
				& &	
				H H	
1	19M7806	SCREW	1	X X	M10 X 50, (10.9)
2	19M7786	SCREW	1	X X	M10 X 30, (10.9)
3	.....	COVER	1	X X	MARKED R131016, (ORDER R501130, RE46684 AND (2) R123226)
	R501130	COVER	1	X X	
4	R123226	GASKET	1	X X	
5	R135896	GASKET	1	X X	
6	RE46684	PLUG	AR	X X	M14 X 1.5
7	51M7041	O-RING	AR	X X	11.300 X 2.200 MM
8	R501144	TUBE	1	X X	(ALSO ORDER (2) R123226)
9	R123323	CLAMP	1	X X	
10	19M7788	SCREW	1	X X	M12 X 25, (10.9)
11	R123324	CLAMP	1	X X	
12	19M7801	SCREW	1	X X	M8 X 60, (10.9)
13	28H860	WASHER	1	X X	0.423" X 0.675" X 3/8"



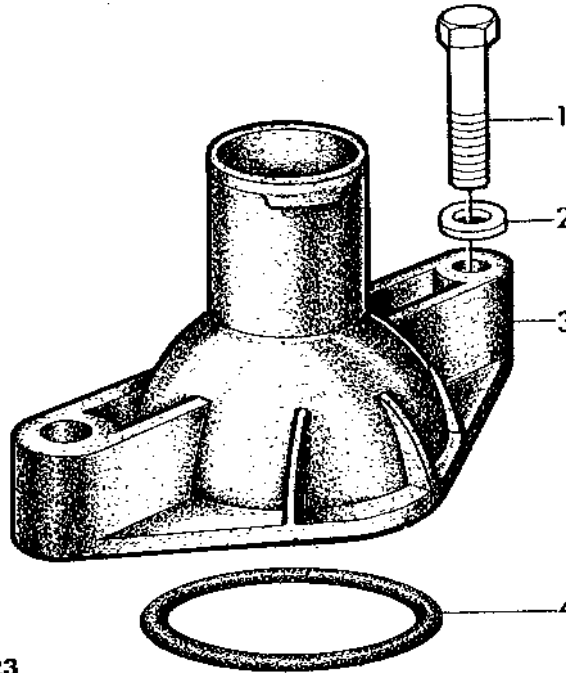
MEMORANDA

# 1D20

THERMOSTAT COVER

CD12523 -UN-01JAN94

2109



CD 12 523

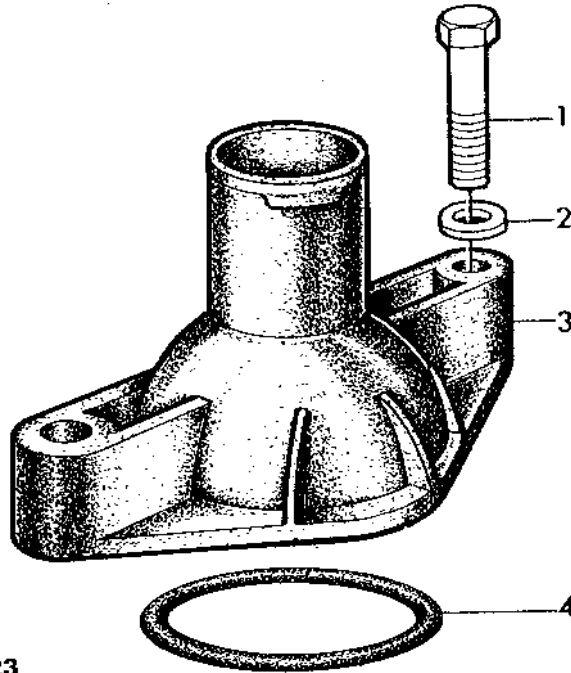
KEY	PART NO.	PART NAME	QTY	ENGINE SERIAL NO.	0 3 9 D	REMARKS
1	19H2633	CAP SCREW	2		X	3/8" X 1-1/2", (SAE 8)
2	24M7106	WASHER	2		X	10 X 18 X 2.500 MM
3	R97876	COVER	1		X	
4	R97877	O-RING	1		X	

# 1D21

THERMOSTAT COVER

CD12523 -UN-01JAN94

2112



CD 12 523

KEY	PART NO.	PART NAME	QTY	ENGINE SERIAL NO.	0 3 9 T	REMARKS
1	19H2633	CAP SCREW	2		X	3/8" X 1-1/2", (SAE 8)
2	24M7106	WASHER	2		X	10 X 18 X 2.500 MM
3	R97876	COVER	1		X	
4	R97877	O-RING	1		X	

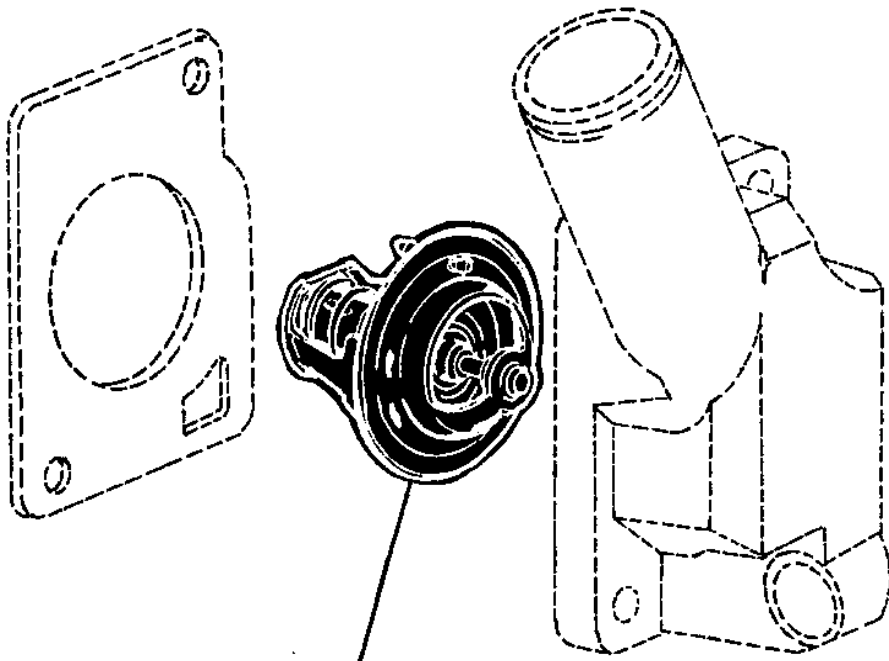
# 1E2

THERMOSTAT

SECTIONAL INDEX

CD42723 -UN-11FEB99

2201 -	1E4
2204 -	1E5



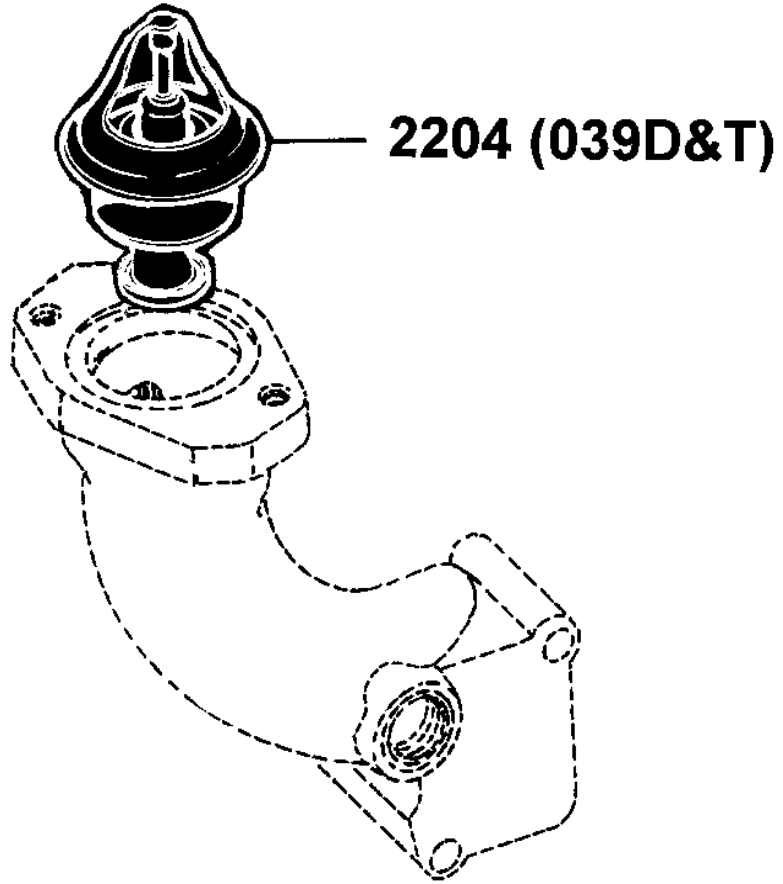
**2201 (045T&H/068T&H)**

**CD42723**

SECTIONAL INDEX

CD42724 -UN-11FEB99

2201 -	1E4
2204 -	1E5



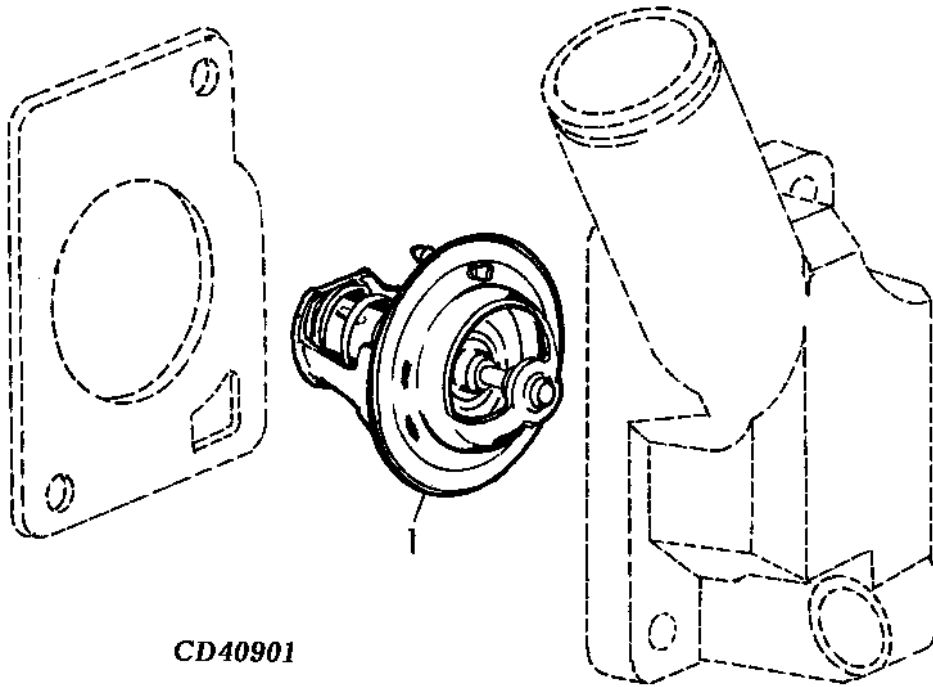
CD42724

# 1E4

THERMOSTAT

CD40901 -UN-10SEP96

2201



**CD40901**

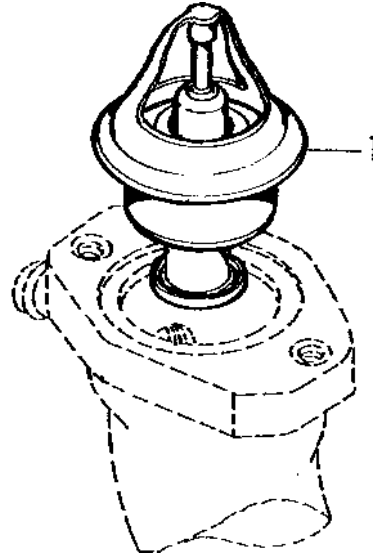
KEY	PART NO.	PART NAME	QTY	ENGINE SERIAL NO.	0 4 5 T & H	REMARKS
1	RE64354	THERMOSTAT	1		X X	82° C (180° F)

# 1E5

THERMOSTAT

CD37214 -UN-01JAN94

2204



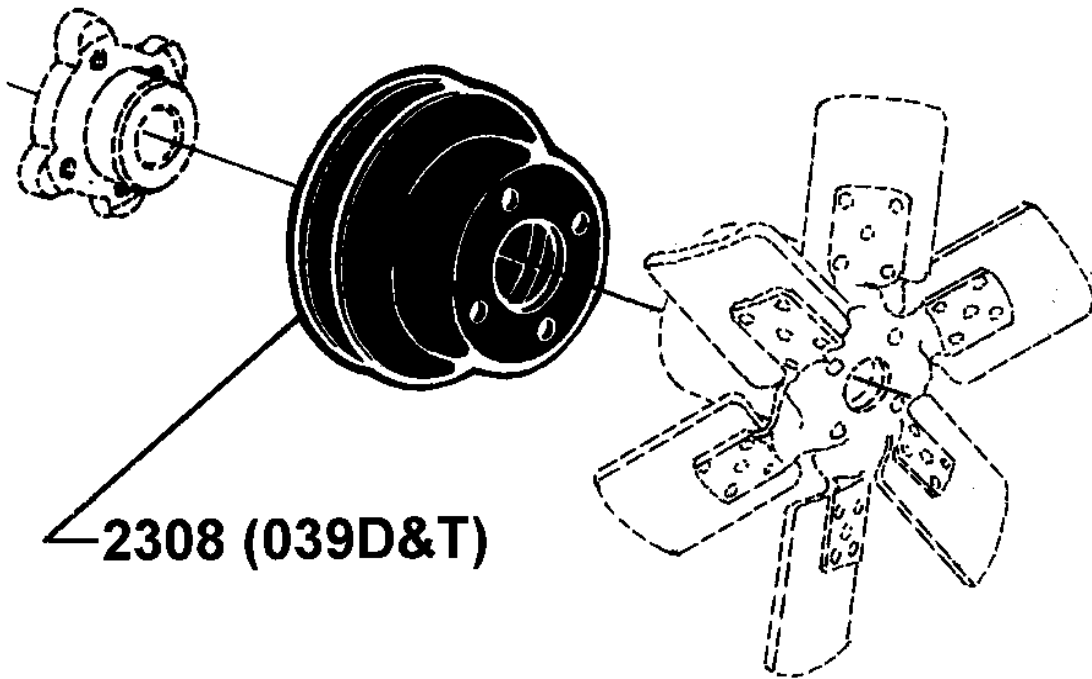
CD37214

KEY	PART NO.	PART NAME	QTY	ENGINE SERIAL NO.	0 3 9 D & T	REMARKS
1	RE64354	THERMOSTAT	1		X	82°C (180°F)

# 1E7

SECTIONAL INDEX  
CD42725 -UN-11FEB99

2308 -	1E9
2312 -	1E10



CD42725

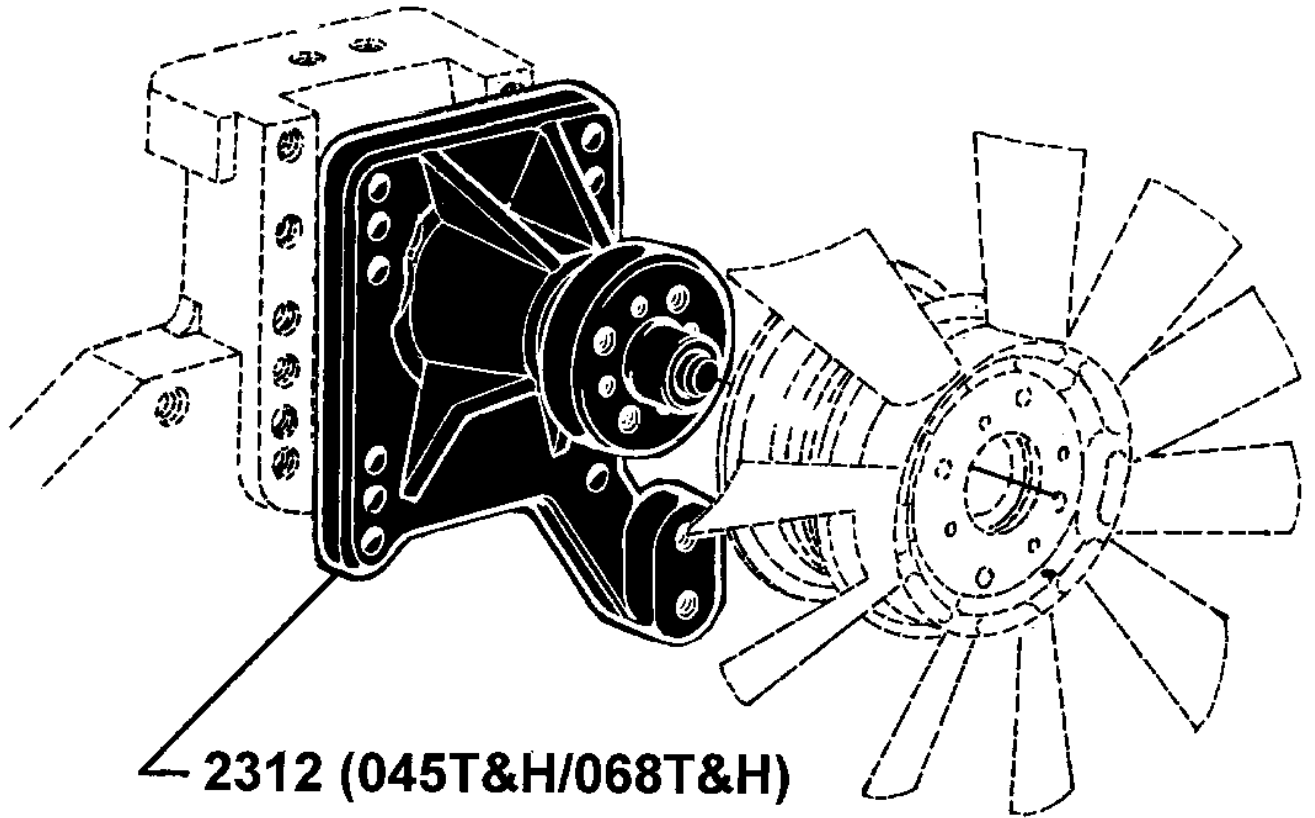


# 1E8

SECTIONAL INDEX

CD42726 -UN-11FEB99

2308 -	1E9
2312 -	1E10



**2312 (045T&H/068T&H)**

CD42726

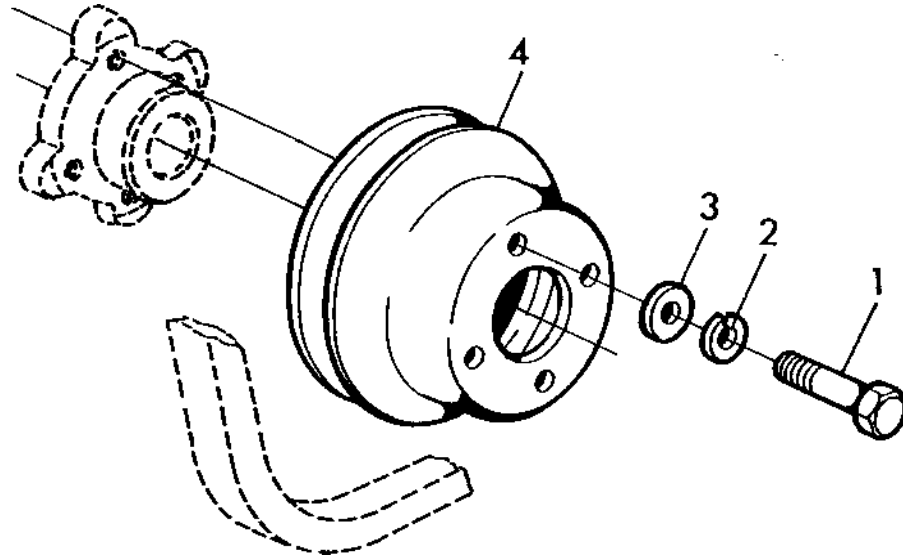
MEMORANDA

# 1E9

FAN DRIVE

CDA39009 -UN-29SEP94

2308



**CDA39009**

KEY	PART NO.	PART NAME	QTY	ENGINE SERIAL NO.	0 3 9 D & T	REMARKS
1	19H2117	CAP SCREW	4		X	5/16" X 1-1/8"
2	12M7056	LOCK WASHER	4		X	8.100 MM
3	24H1136	WASHER	4		X	11/32" X 11/16" X 0.065"
4	R110081	SHEAVE	1		X	11/16" X OD 154MM

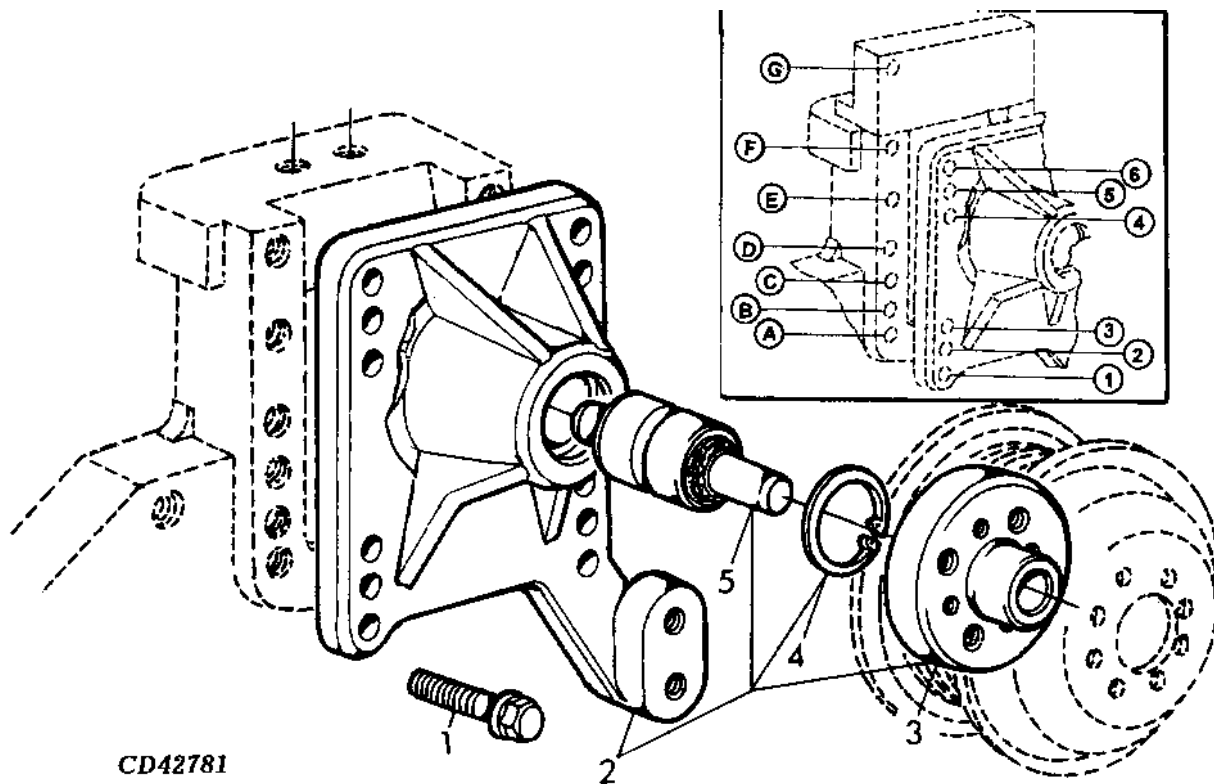
MEMORANDA

# 1E10

FAN DRIVE

CD42781 -UN-25FEB99

2312

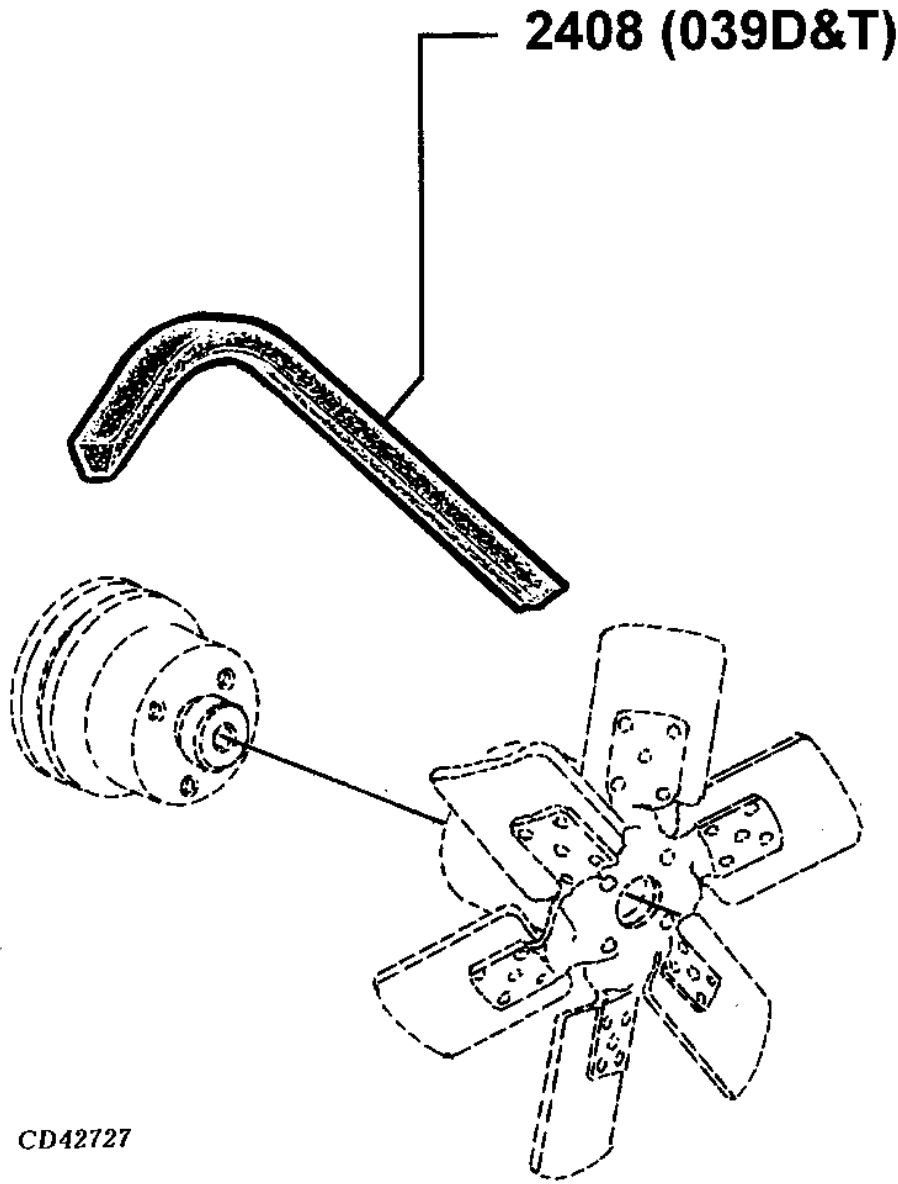


KEY	PART NO.	PART NAME	QTY	ENGINE SERIAL NO.	REMARKS
1	19M7835	SCREW	4	X	M10 X 35, (10.9) (POSITIONING HOLES A2 + E5)
	19M7835	SCREW	4	X	M10 X 35, (10.9) (POSITIONING HOLES D1 + E3)
2	RE70177	SUPPORT	1	X X	(MARKED R134775)
3	.....	HUB	1	X X	COMMANDER RE70177
4	E1343FN	SNAP RING	1	X X	
5	.....	BALL BEARING	1	X X	COMMANDER RE70177

# 1E12

SECTIONAL INDEX  
CD42727 -UN-11FEB99

2408 -	1E14
2409 -	1E15
2419 -	1E16

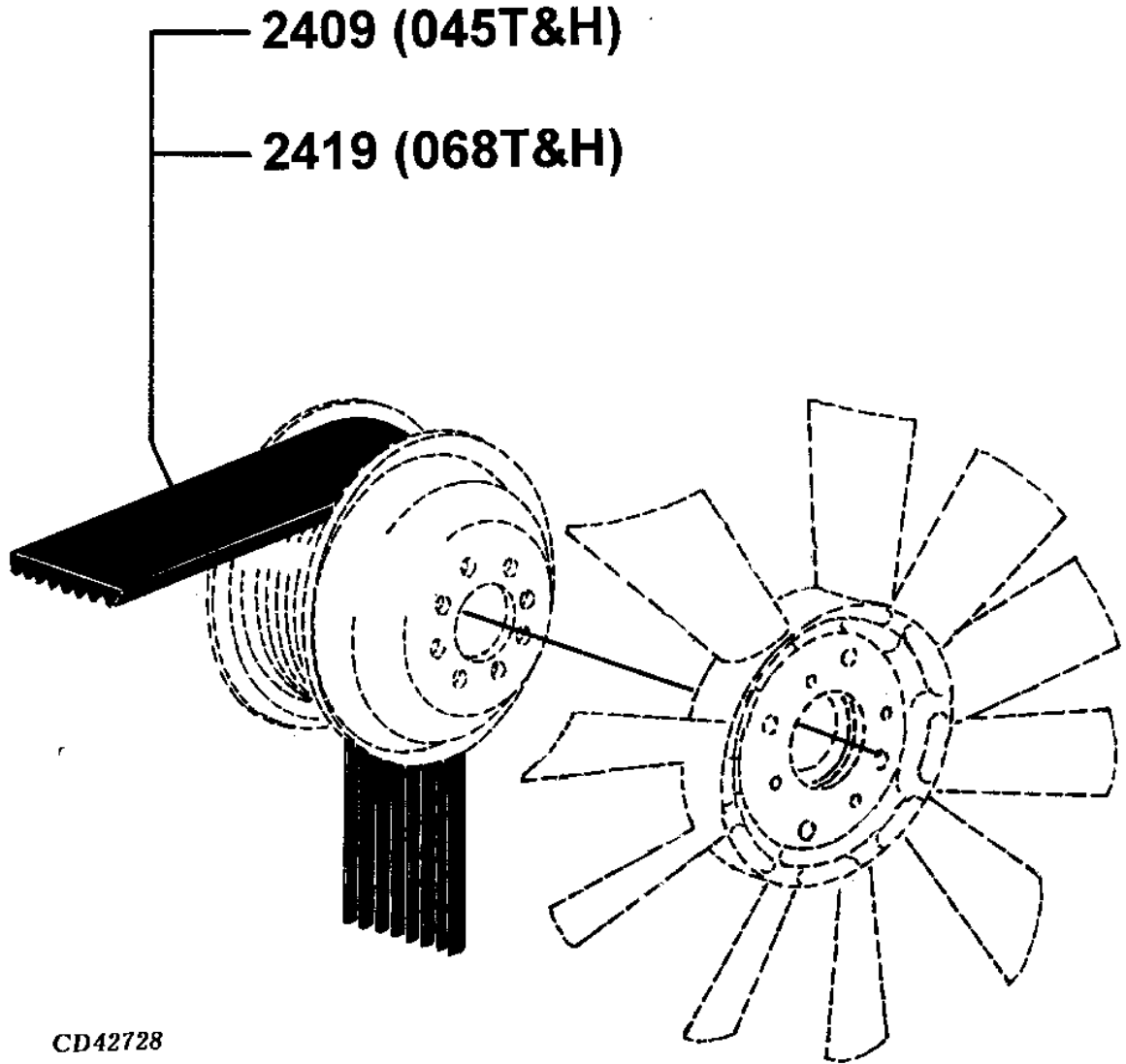


# 1E13

SECTIONAL INDEX

CD42728 -UN-11FEB99

2408 -	1E14
2409 -	1E15
2419 -	1E16



CD42728

MEMORANDA

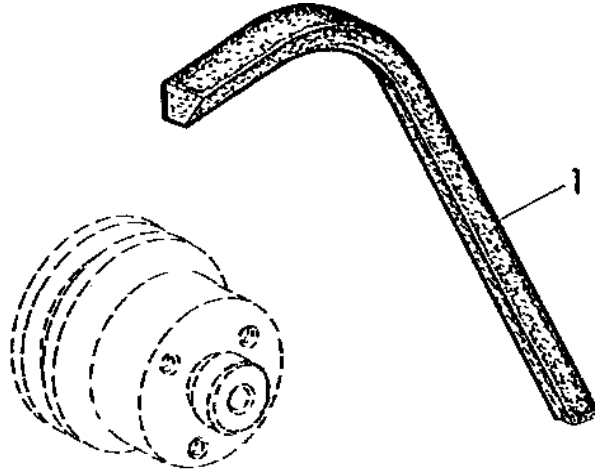


# 1E14

FAN BELT

CD35109 -UN-01JAN94

2408



CD 35109

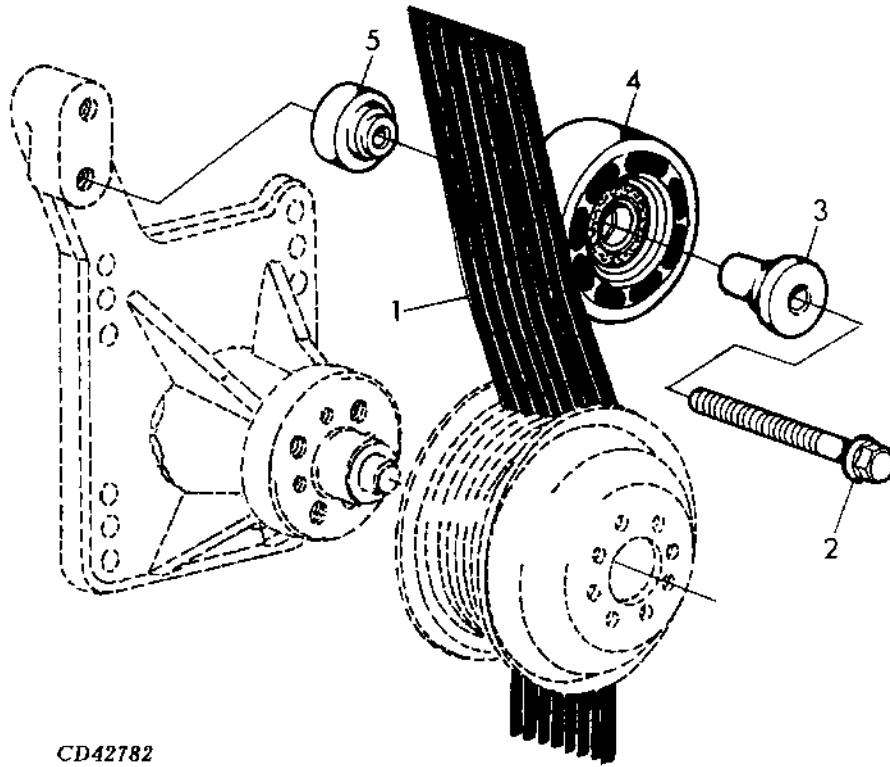
KEY	PART NO.	PART NAME	QTY	ENGINE SERIAL NO.	0 3 9 D & T	REMARKS
1	R97939	BELT	1		X	LGTH 1320MM

# 1E15

FAN BELT

CD42782 -UN-25FEB99

2409



CD42782

KEY	PART NO.	PART NAME	QTY	ENGINE SERIAL NO.	REMARKS
1	R123441	BELT	1		X LGTH 1575MM
2	19M7808	SCREW	1		X M10 X 65, (10.9)
3	R107749	SLEEVE	1		X
4	RE68722	PULLEY	1		X
5	R500320	SPACER	1		X

0  
4  
5  
T  
&  
H

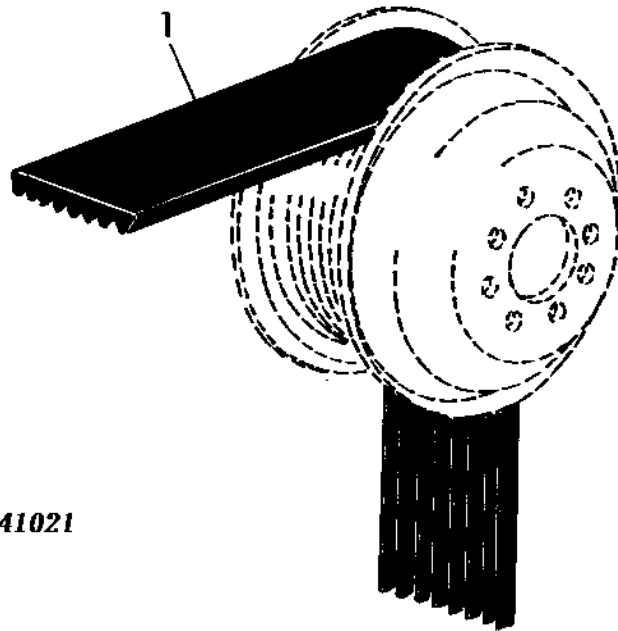
MEMORANDA

# 1E16

FAN BELT

CD41021 -UN-31JAN96

2419



CD41021

KEY	PART NO.	PART NAME	QTY	ENGINE SERIAL NO.	0 6 8 T & H	REMARKS
1	R123454	BELT	1		X	LGTH 1630MM

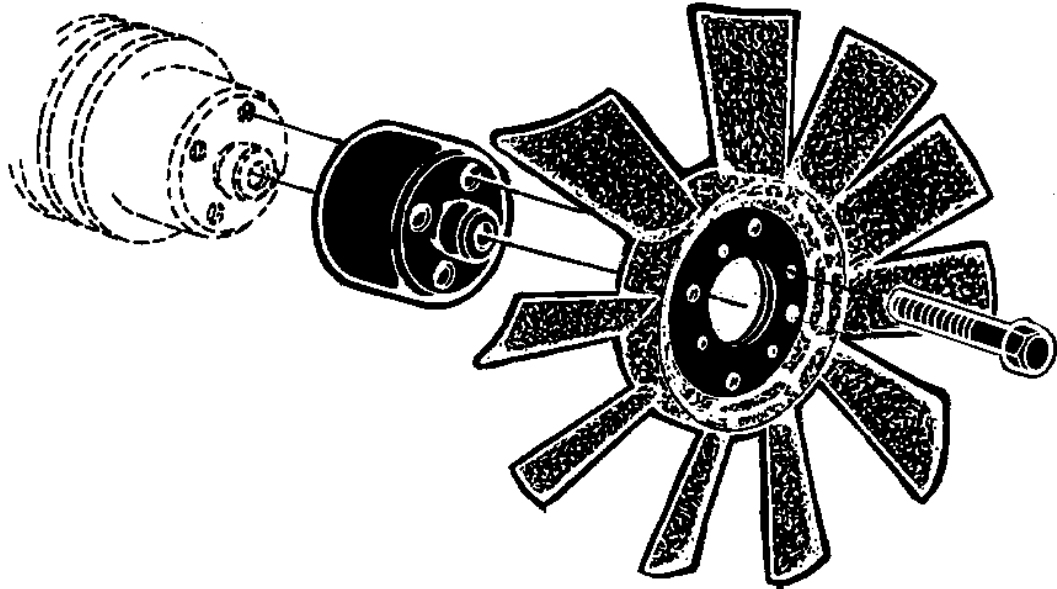
# 1E18

FAN

## SECTIONAL INDEX

CD42729 -UN-11FEB99

2501 -	1E19
2507 -	1E20
2508 -	1E21



**2501 (039D&T)** —

**2507 (045T&H)** —

**2508 (068T&H)** —

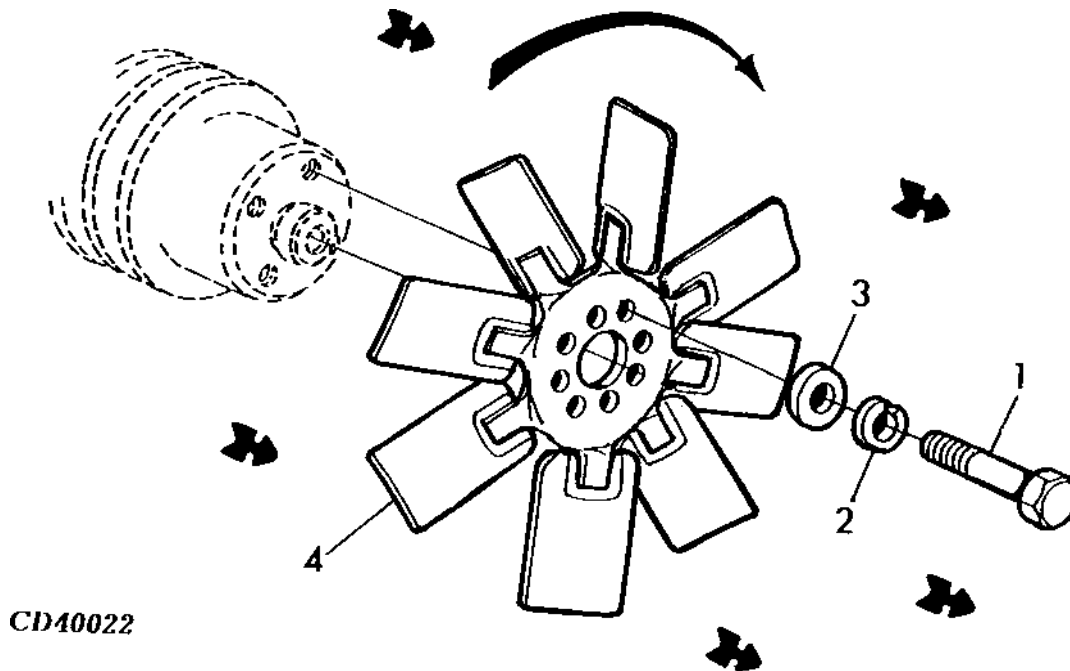
CD42729

# 1E19

FAN

CD40022 -UN-22AUG95

2501



KEY	PART NO.	PART NAME	QTY	ENGINE SERIAL NO.	0 3 9 D & T	REMARKS
1	19H2127	CAP SCREW	4		X	5/16" X 7/8"
2	12M7056	LOCK WASHER	4		X	8.100 MM
3	24H1292	WASHER	4		X	11/32" X 3/4" X 0.120"
4	AT31819	BLOWER FAN	1		X	OD 533MM

---

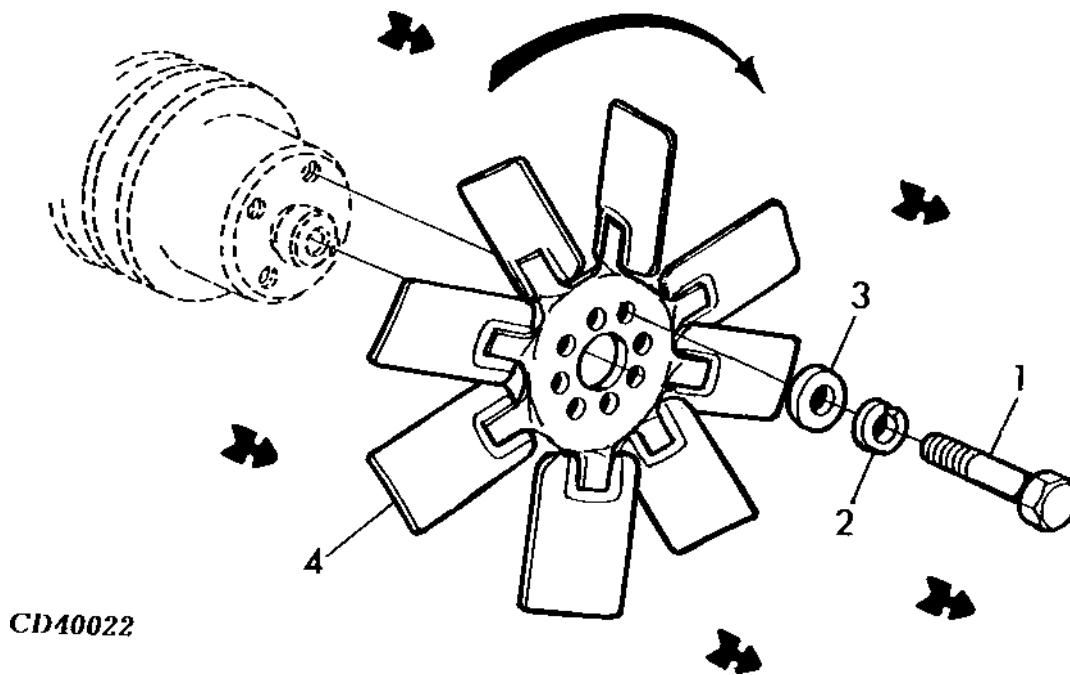
MEMORANDA

# 1E20

FAN

CD40022 -UN-22AUG95

2507



KEY	PART NO.	PART NAME	QTY	ENGINE SERIAL NO.	REMARKS
1	19H2127	CAP SCREW	4	0	X 5/16" X 7/8"
2	12M7056	LOCK WASHER	4	4	X 8.100 MM
3	24H1292	WASHER	4	5	X 11/32" X 3/4" X 0.120"
4	AT31819	BLOWER FAN	1	T & H	X OD 533MM

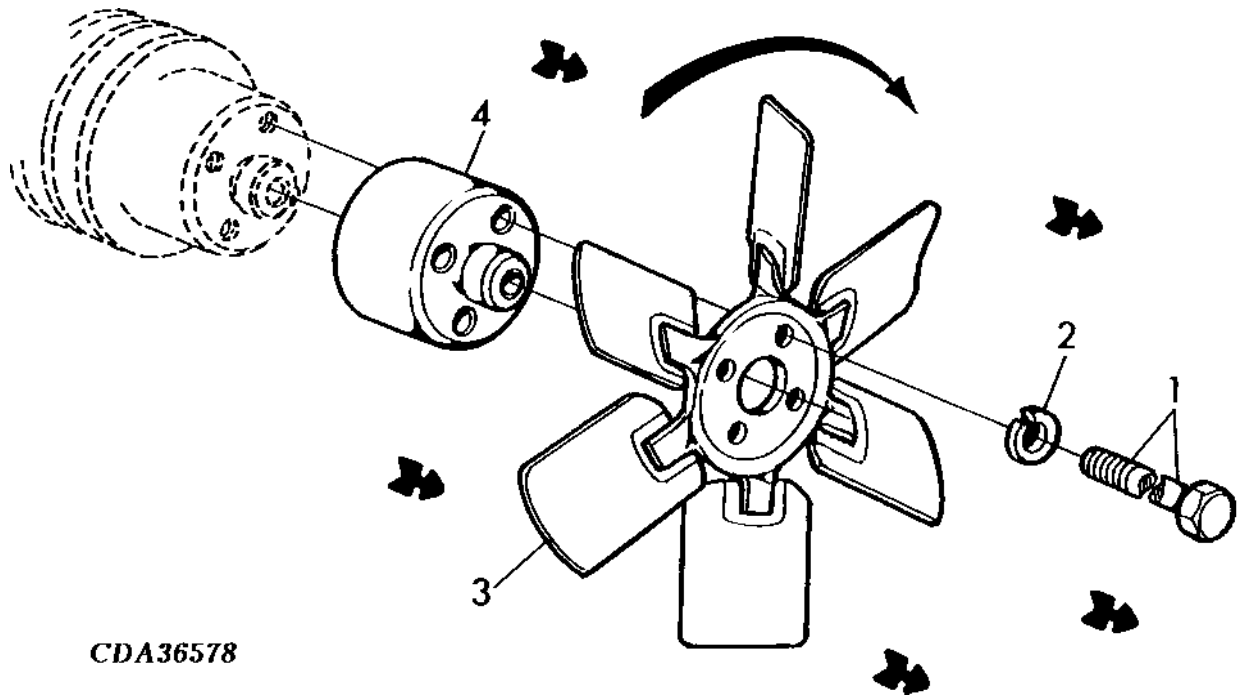


# 1E21

FAN

CDA36578 -UN-30AUG95

2508



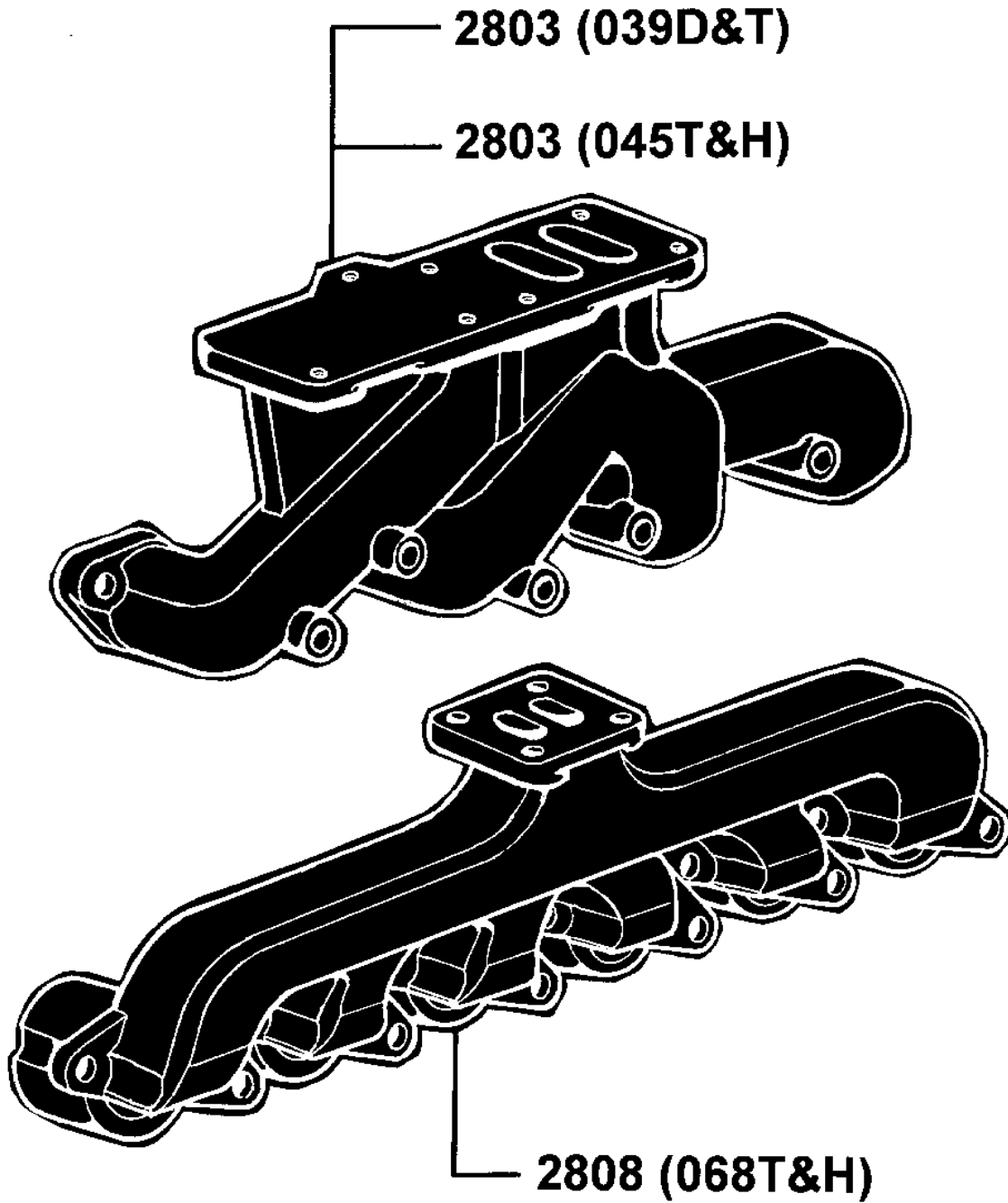
CDA36578

KEY	PART NO.	PART NAME	QTY	ENGINE SERIAL NO.	0 6 8 T & H	REMARKS
1	19M7784	SCREW	4		X	M10 X 20, (10.9)
2	.....	LOCK WASHER	NA		X	
3	AT24834	BLOWER FAN	1		X	OD 533MM
4	R501642	HUB	1		X	TK X OD 50 X 90MM

# 1F2

SECTIONAL INDEX  
CD42730 -UN-11FEB99

2803 -	1F3
2803 -	1F4
2808 -	1F5



CD42730

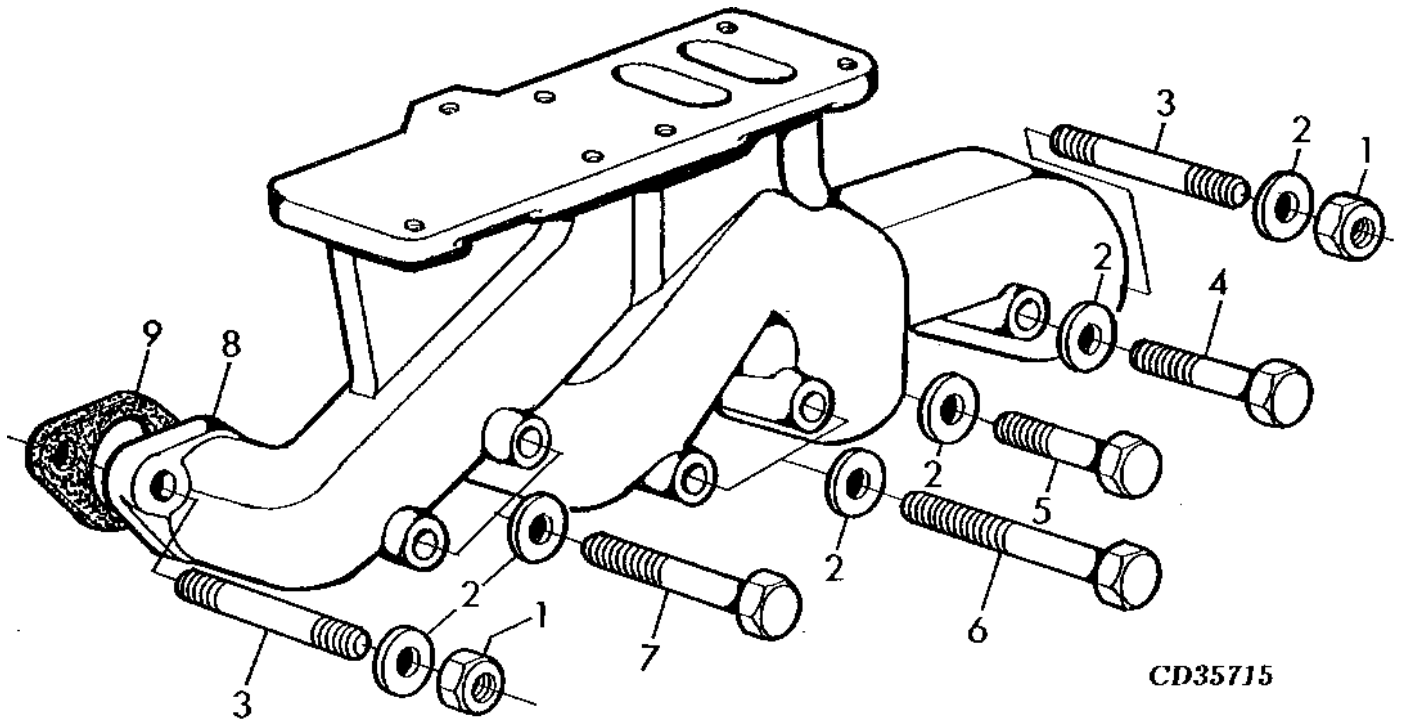
MEMORANDA

# 1F3

EXHAUST MANIFOLD

CD35715 -UN-01JAN94

2803



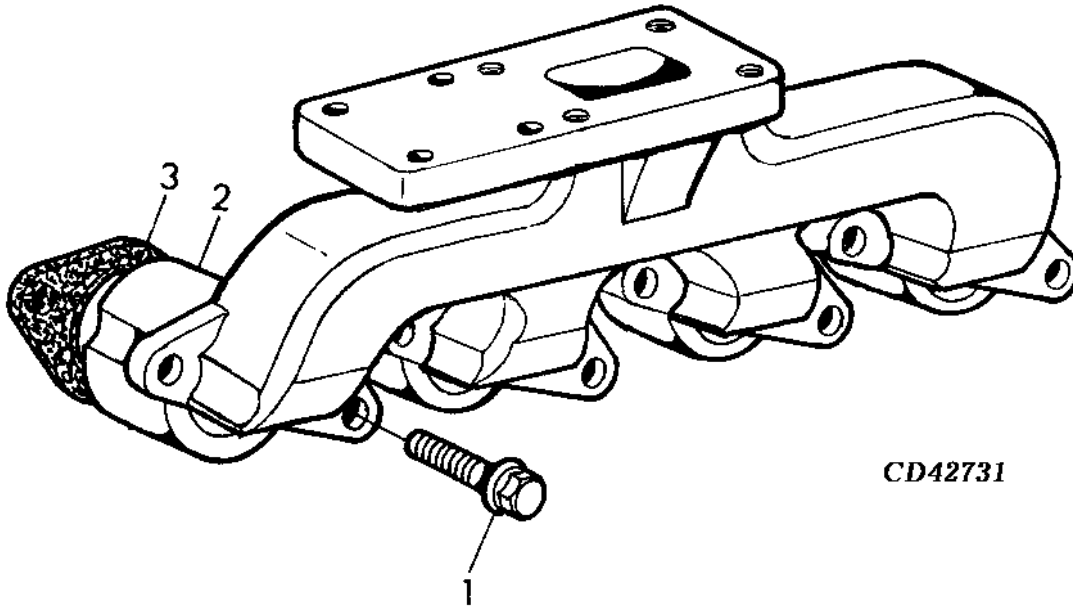
KEY	PART NO.	PART NAME	QTY	SERIAL NO.	0 3 9 D & T	REMARKS
1	14H812	NUT	2		X	3/8"
2	24M7106	WASHER	8		X	10 X 18 X 2.500 MM
3	R106861	STUD	2		X	
4	19H3404	CAP SCREW	1		X	3/8" X 4", (SAE 8)
5	19H1732	CAP SCREW	1		X	3/8" X 1-1/4"
6	19H2104	CAP SCREW	2		X	3/8" X 5"
7	19H1925	CAP SCREW	2		X	3/8" X 4-1/4"
8	R52819	EXHAUST MANIFOLD	1		X	
9	R109985	GASKET	4		X	

# 1F4

EXHAUST MANIFOLD

CD42731 -UN-24FEB99

2803



KEY	PART NO.	PART NAME	QTY	ENGINE SERIAL NO.	0 4 5 T & H		REMARKS
1	19M7810	SCREW	8		X		M10 X 80, (10.9)
2	R132373	EXHAUST MANIFOLD	1		X		
3	R109985	GASKET	4		X		

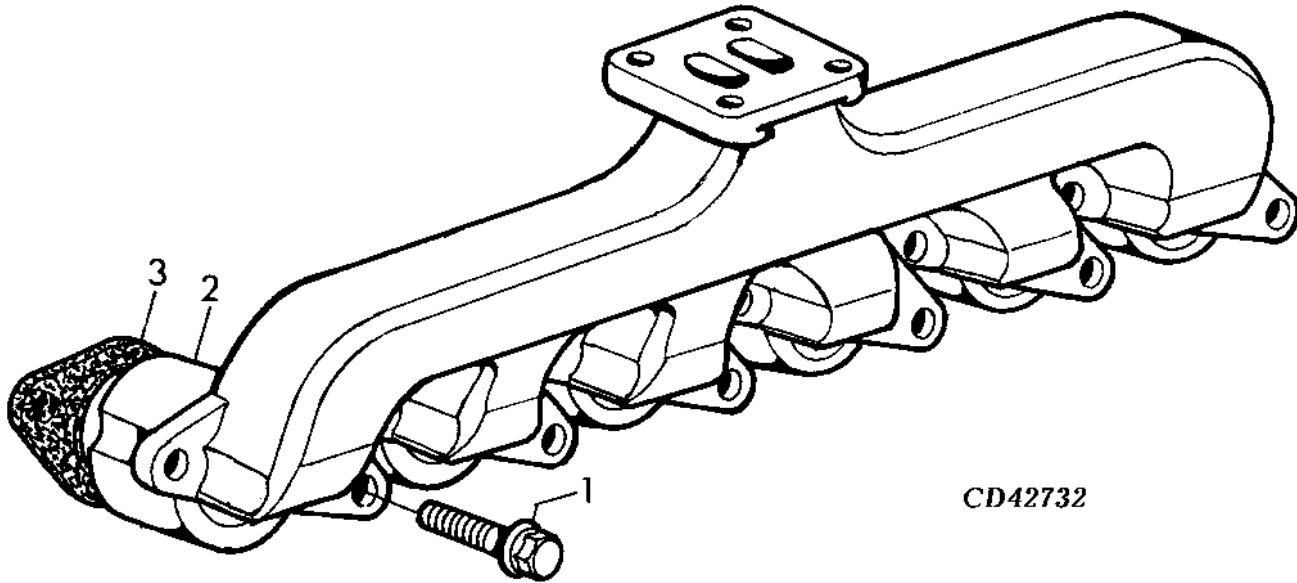
MEMORANDA

# 1F5

EXHAUST MANIFOLD

CD42732 -UN-15FEB99

2808



KEY	PART NO.	PART NAME	QTY	ENGINE SERIAL NO.	0 6 8 T & H	REMARKS
1	19M7810	SCREW	8		X	M10 X 80, (10.9)
2	R132203	EXHAUST MANIFOLD	1		X	
3	R109985	GASKET	6		X	

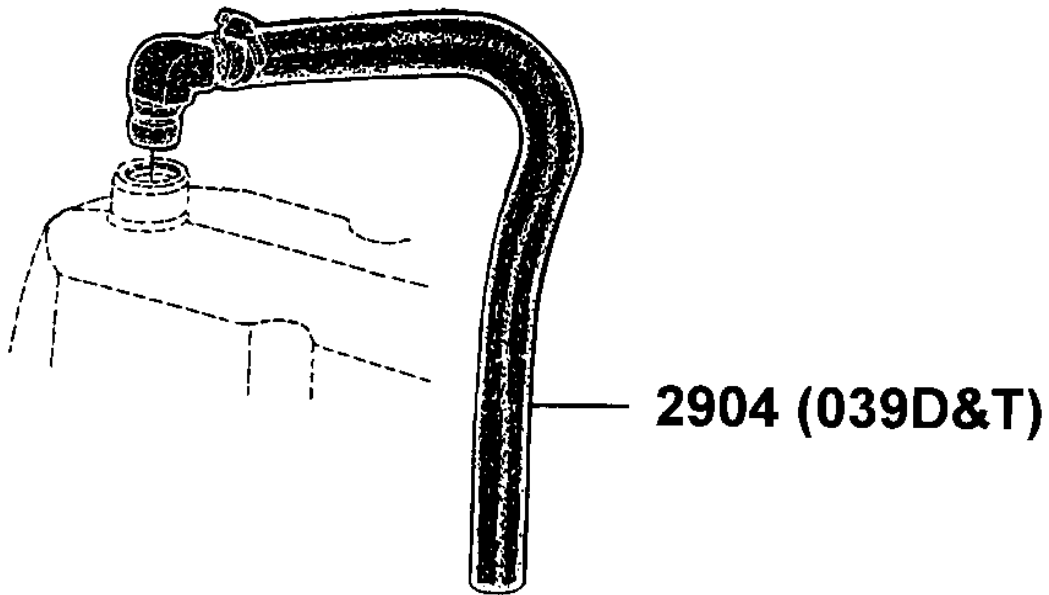
# 1F7

BREATHER

SECTIONAL INDEX

CD42733 -UN-11FEB99

2904 - 1F9
2904 - 1F10



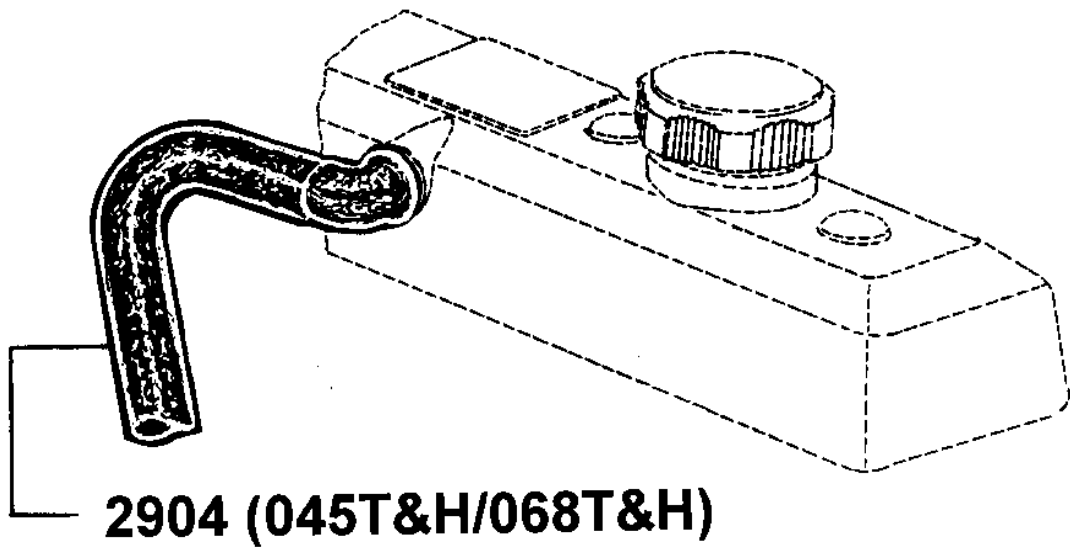
CD42733



SECTIONAL INDEX

CD42734 -UN-11FEB99

2904 -	1F9
2904 -	1F10



CD42734

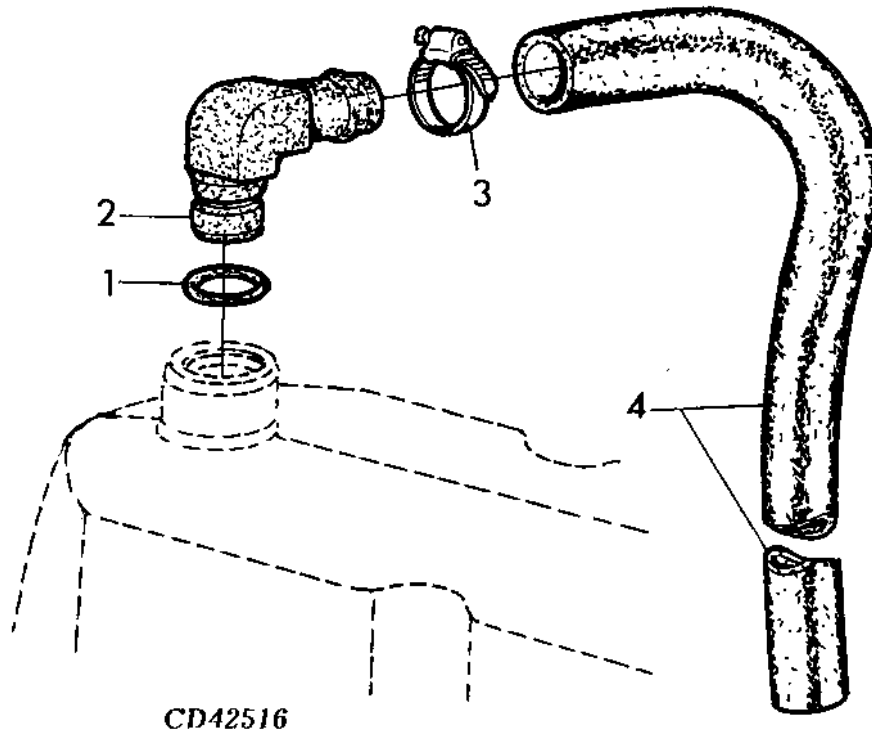
MEMORANDA

# 1F9

BREATHER

CD42516 -UN-23JUN98

2904



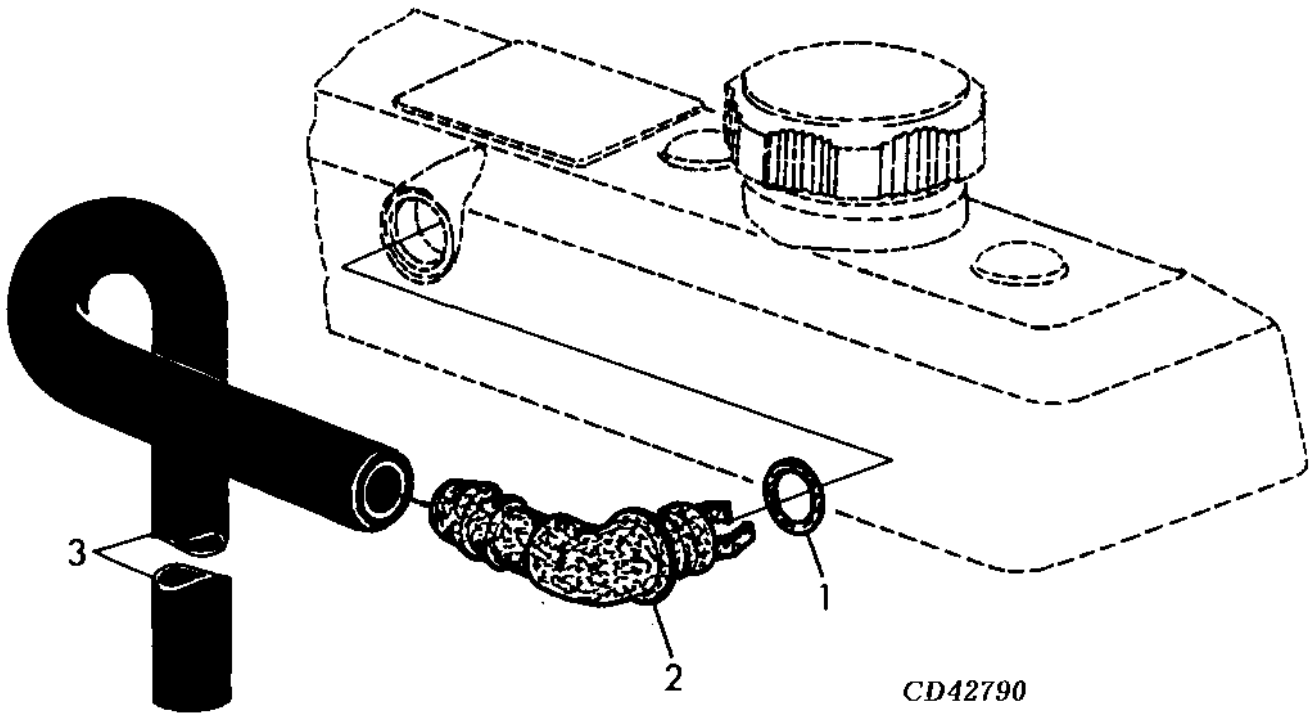
KEY	PART NO.	PART NAME	QTY	ENGINE SERIAL NO.	0 3 9 D & T	REMARKS
1	R56463	O-RING	1		X	
2	R92154	ELBOW FITTING	1		X	
3	AT18904	CLAMP	1		X	
4	R122401	HOSE	1		X	LGTH 1290MM

# 1F10

BREATHER

CD42790 -UN-16FEB99

2904



KEY	PART NO.	PART NAME	QTY	ENGINE SERIAL NO.	REMARKS
				0 0	
				4 6	
				5 8	
				T T	
				& &	
				H H	
1	R72328	O-RING	1	X X	
2	R120467	ELBOW FITTING	1	X X	90°
3	R122401	HOSE	1	X X	LGTH 1290MM, CUT TO LENGTH

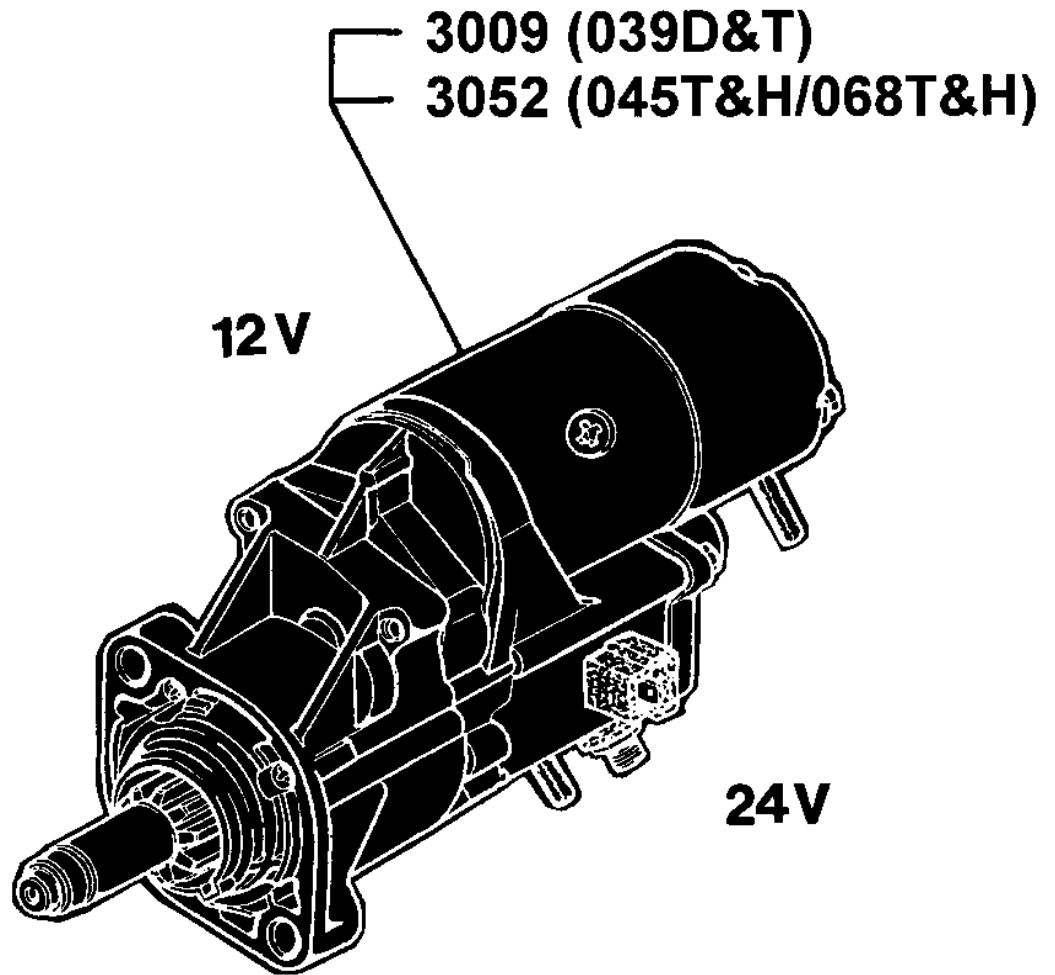
# 1F12

STARTER

## SECTIONAL INDEX

CD42735 -UN-12FEB99

3009 -	1F13
3009 -	1F14
3052 -	1F15
3052 -	1F16



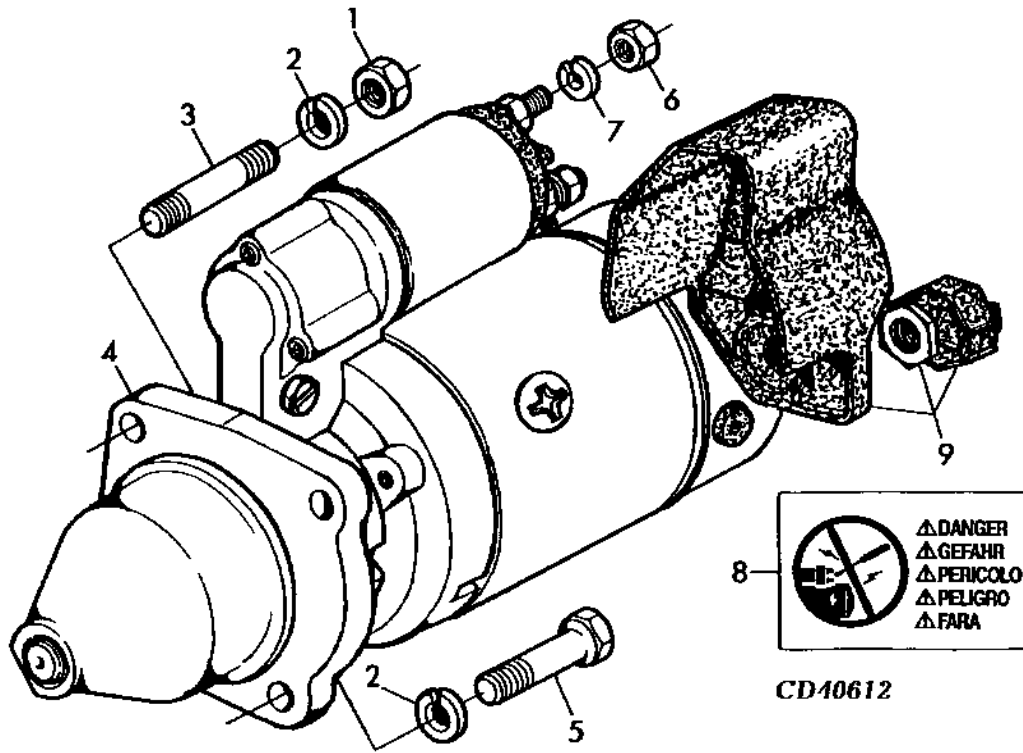
CD42735

# 1F13

STARTER

CD40612 -UN-09FEB96

3009



CD40612

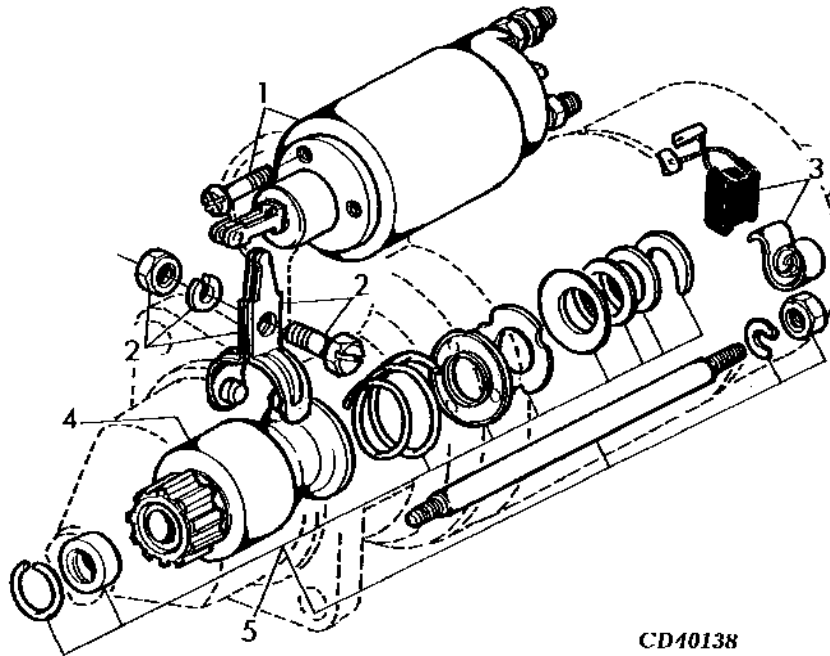
KEY	PART NO.	PART NAME	QTY	ENGINE SERIAL NO.	0 3 9 D & T	REMARKS
1	14H812	NUT	1		X	3/8"
2	12H304	LOCK WASHER	3		X	3/8"
3	L39334	STUD	1		X	LGTH 43MM X 3/8"-16UNC
4	RE503093	STARTER MOTOR	1		X	(ISKRA, 12V - 3.1KW) (ALSO ORDER RT7700040288)
5	19H1732	CAP SCREW	2		X	3/8" X 1-1/4"
6	14M7274	NUT	1		X	M10
7	12M7135	LOCK WASHER	1		X	10.200 MM
8	R116617	LABEL	AR		X	BYPASS START
9	RT7700040288	COVER	1		X	

# 1F14

STARTER

CD40138 -UN-02DEC94

3009 - CONTINUED



CD40138

KEY	PART NO.	PART NAME	QTY	ENGINE SERIAL NO.	0 3 9 D & T	REMARKS
1	RE503073	SOLENOID	1		X	
2	RE62666	SHIFTER	1		X	
3	RE62670	CARBON BRUSH CONDUCTOR	1		X	(2) CARBON BRUSH CONDUCTOR
4	RE62672	BENDIX DRIVE	1		X	
5	RE62673	KIT	1		X	

MEMORANDA

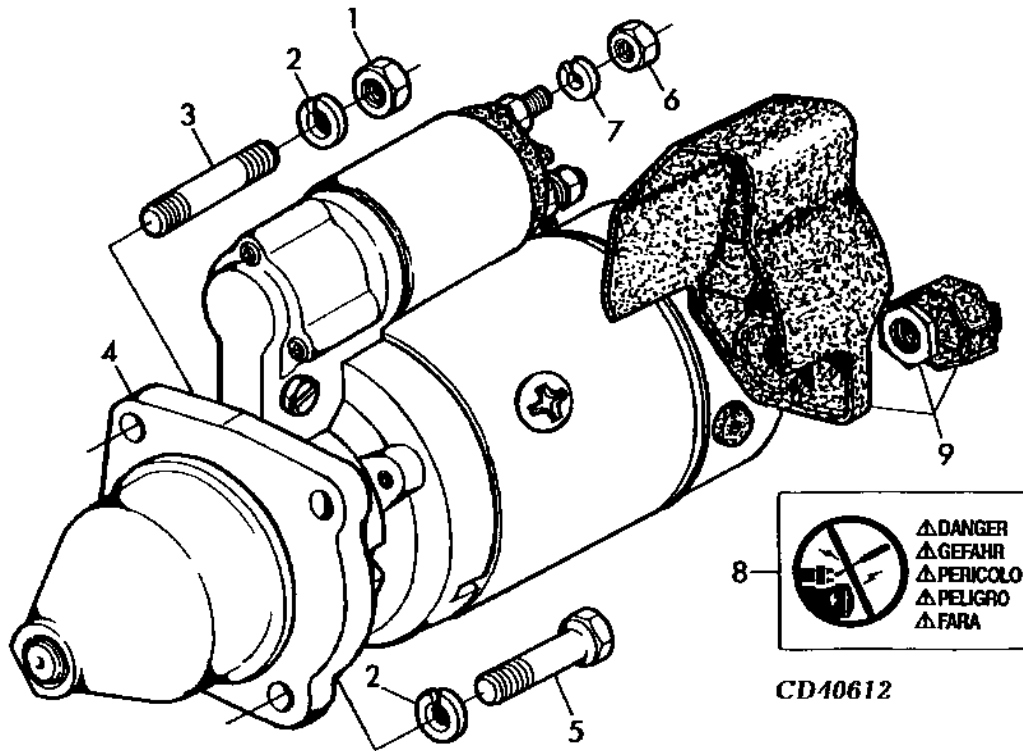


# 1F15

STARTER

CD40612 -UN-09FEB96

3052



CD40612

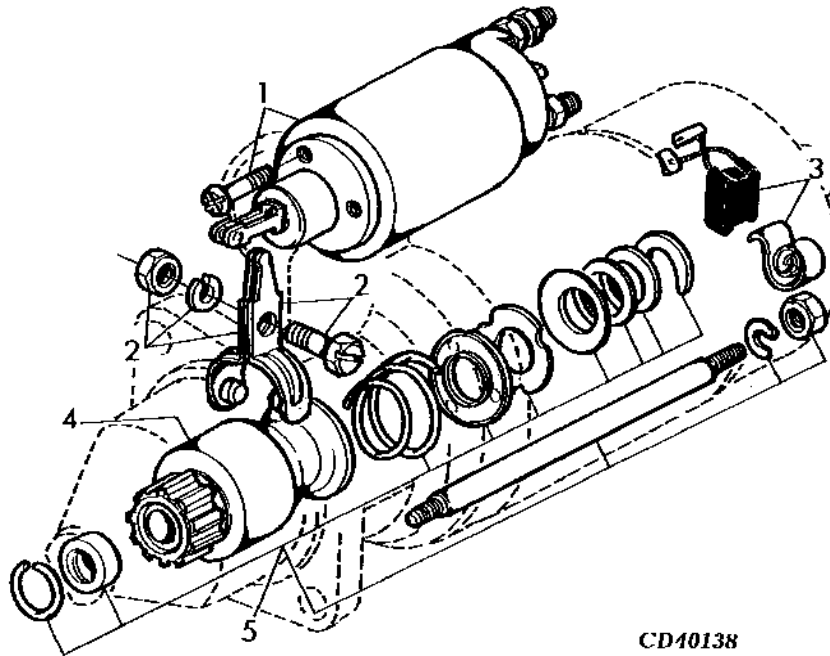
KEY	PART NO.	PART NAME	QTY	ENGINE SERIAL NO.	REMARKS
				0 0	
				4 6	
				5 8	
				T T	
				& &	
				H H	
1	14M7296	FLANGE NUT	1	X X	M10, (10)
2	12H304	LOCK WASHER	3	X X	3/8"
3	42M7058	STUD	1	X X	M10 X 30
4	RE503093	STARTER MOTOR	1	X X	(ISKRA, 12V - 3.1KW) (ALSO ORDER RT7700040288)
5	19M7835	SCREW	2	X X	M10 X 35, (10.9)
6	14M7274	NUT	1	X X	M10
7	12M7135	LOCK WASHER	1	X X	10.200 MM
8	R116617	LABEL	AR	X X	BYPASS START
9	RT7700040288	COVER	1	X X	

# 1F16

STARTER

CD40138 -UN-02DEC94

3052 - CONTINUED



CD40138

KEY	PART NO.	PART NAME	QTY	ENGINE SERIAL NO.	0 0	REMARKS
					4 6	
1	RE503073	SOLENOID	1		X X	
2	RE62666	SHIFTER	1		X X	
3	RE62670	CARBON BRUSH CONDUCTOR	1		X X	(2) CARBON BRUSH CONDUCTOR
4	RE62672	BENDIX DRIVE	1		X X	
5	RE62673	KIT	1		X X	

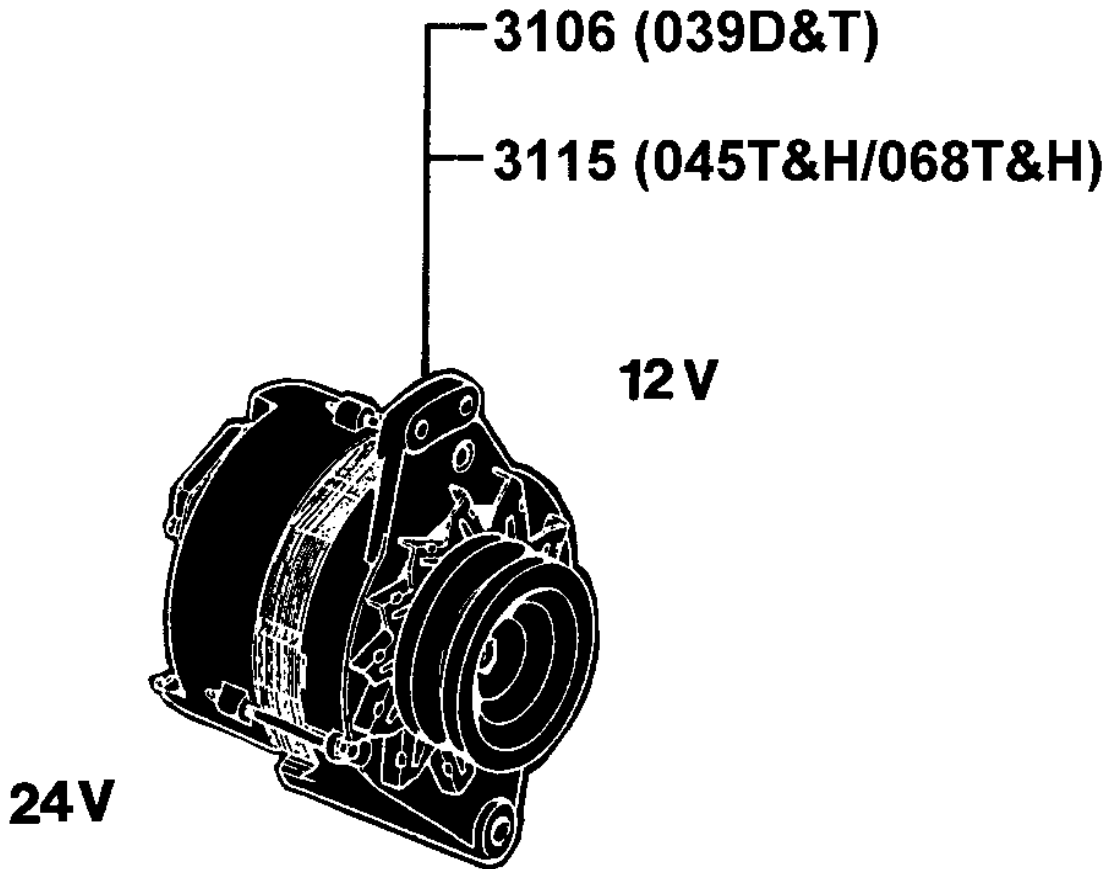
MEMORANDA

# 1F18

ALTERNATOR

SECTIONAL INDEX  
CD42736 -UN-11FEB99

3106 -	1F19
3106 -	1F20
3115 -	1F21
3115 -	1F22



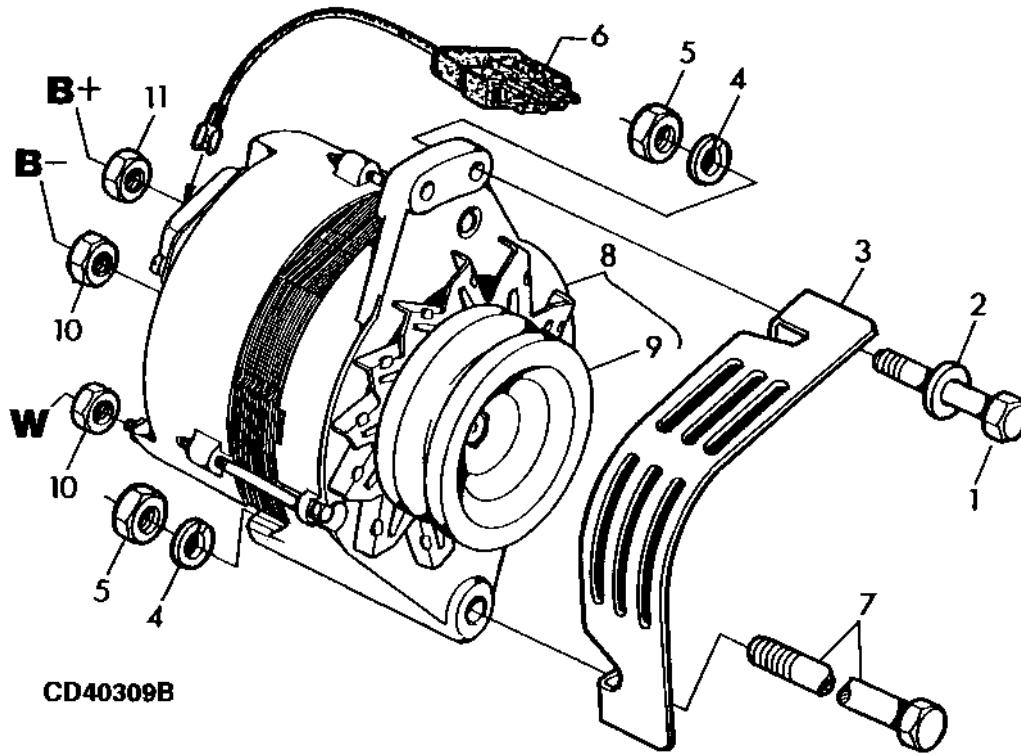
CD42736

# 1F19

ALTERNATOR

CD40309B -UN-28NOV95

3106



CD40309B

0  
3  
9  
D  
&  
T

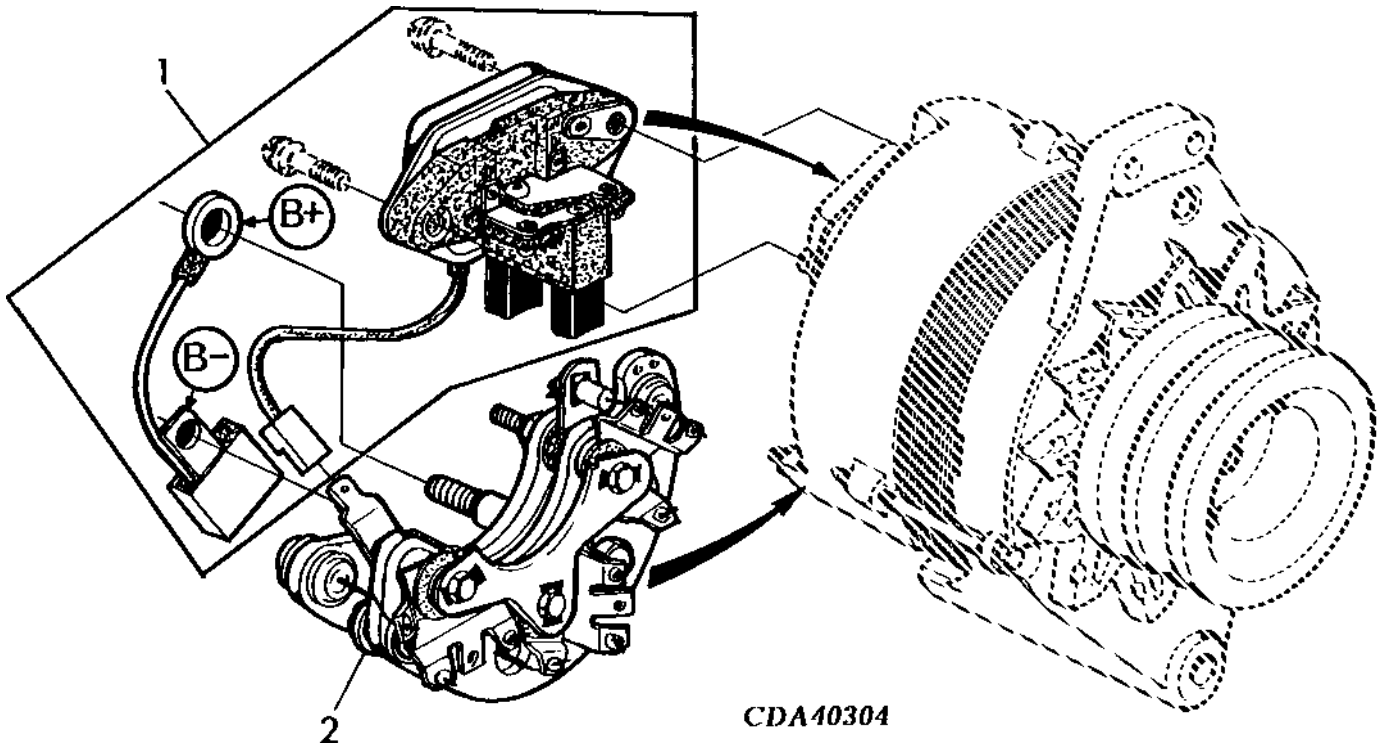
KEY	PART NO.	PART NAME	QTY	ENGINE SERIAL NO.	REMARKS
1	19H2661	CAP SCREW	1		X 5/16" X 1-3/8"
2	24H1292	WASHER	1		X 11/32" X 3/4" X 0.120"
3	.....	SHIELD	NA		X
4	12M7056	LOCK WASHER	2		X 8.100 MM
5	14H785	NUT	1		X 5/16"
6	RE62627	CONNECTOR	1		X 47 OHMS
7	19H1897	CAP SCREW	1		X 5/16" X 3-3/4"
8	RE57960	ALTERNATOR	1		X (MAGNETON 443113516760, 12V - 55A)
9	R134417	SHEAVE	1		X 11/16" X OD 88MM
10	14M7265	LOCK NUT	2		X M5
11	14M7165	LOCK NUT	1		X M6

# 1F20

ALTERNATOR

CDA40304 -UN-20JUL95

3106 - CONTINUED



CDA40304

KEY	PART NO.	PART NAME	QTY	ENGINE SERIAL NO.	0 3 9 D & T	REMARKS
1	RE63497	REGULATOR	1		X	(A) STD, 12V
2	RE58515	DIODE	1		X	(A) 12V

(A) SEE YOUR AUTHORIZED ALTERNATOR REPAIR STATION FOR PARTS NOT LISTED

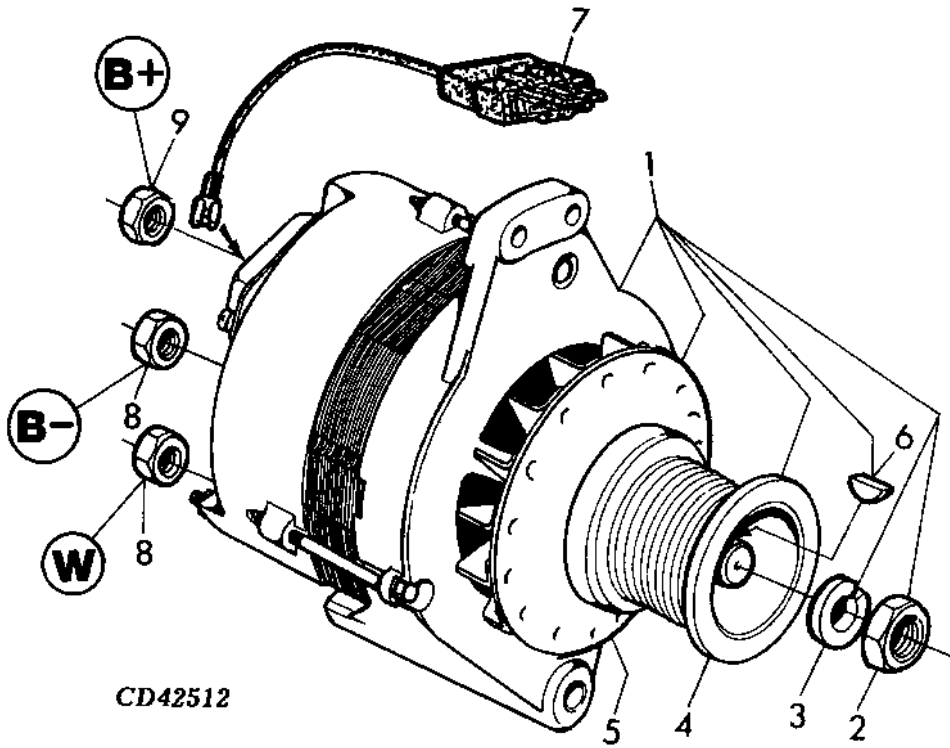
MEMORANDA

# 1F21

ALTERNATOR

CD42512 -UN-18MAR98

3115



KEY	PART NO.	PART NAME	QTY	ENGINE SERIAL NO.	REMARKS
1	RE501634	ALTERNATOR	1		
2	14M7156	NUT	1		
3	12H317	LOCK WASHER	1		
4	R501192	SHEAVE	1		
5	T158584	FAN	1		
6	.....	SHAFT KEY	1		
7	RE62627	CONNECTOR	1		
8	14M7360	LOCK NUT	2		
9	14M7165	LOCK NUT	1		

0 0  
4 6  
5 8  
T T  
& &  
H H

(MAGNETON 443113516241, 12V - 55A)  
M14  
9/16"

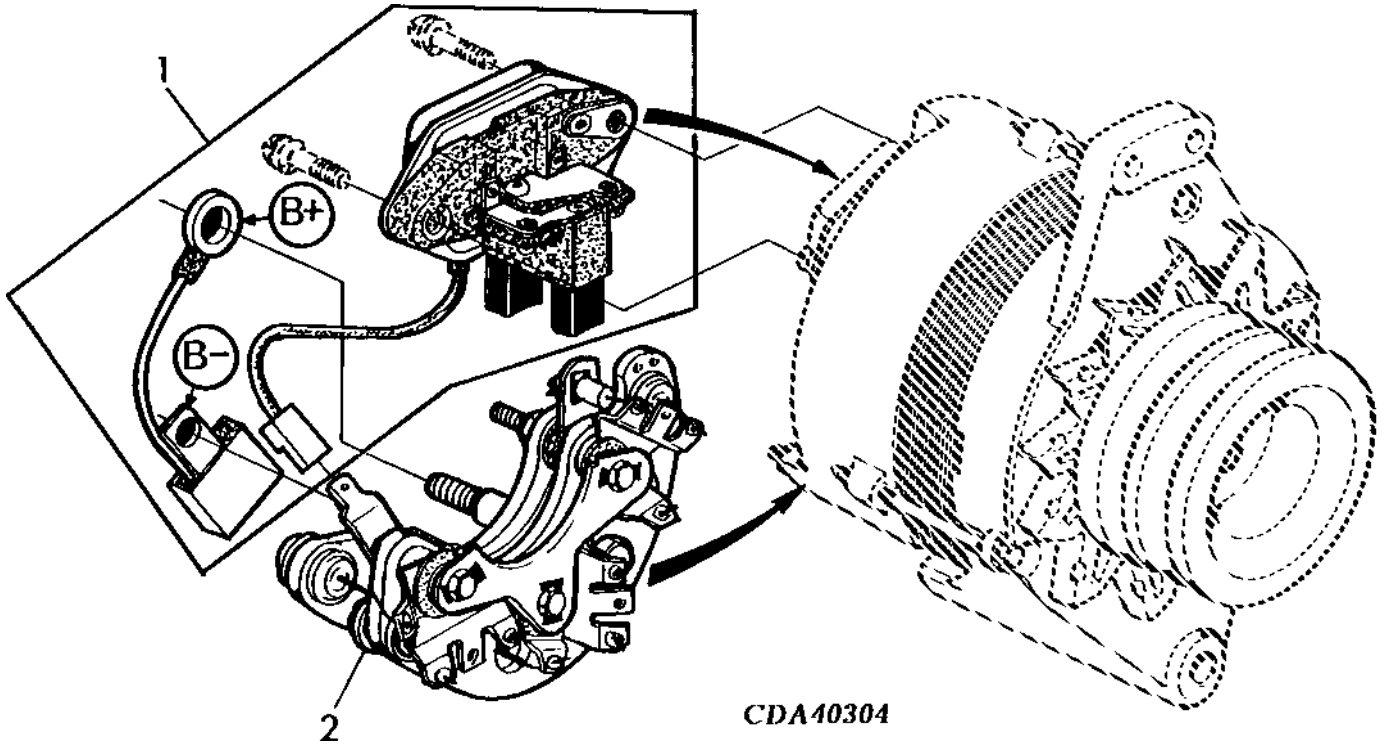


# 1F22

ALTERNATOR

CDA40304 -UN-20JUL95

3115 - CONTINUED



CDA40304

KEY	PART NO.	PART NAME	QTY	ENGINE SERIAL NO.	REMARKS
1	RE63497	REGULATOR	1	0 0 4 6 5 8 T T & & H H	(A) STD, 12V
2	RE58515	DIODE	1		(A) 12V

(A) SEE YOUR AUTHORIZED ALTERNATOR REPAIR STATION FOR PARTS NOT LISTED

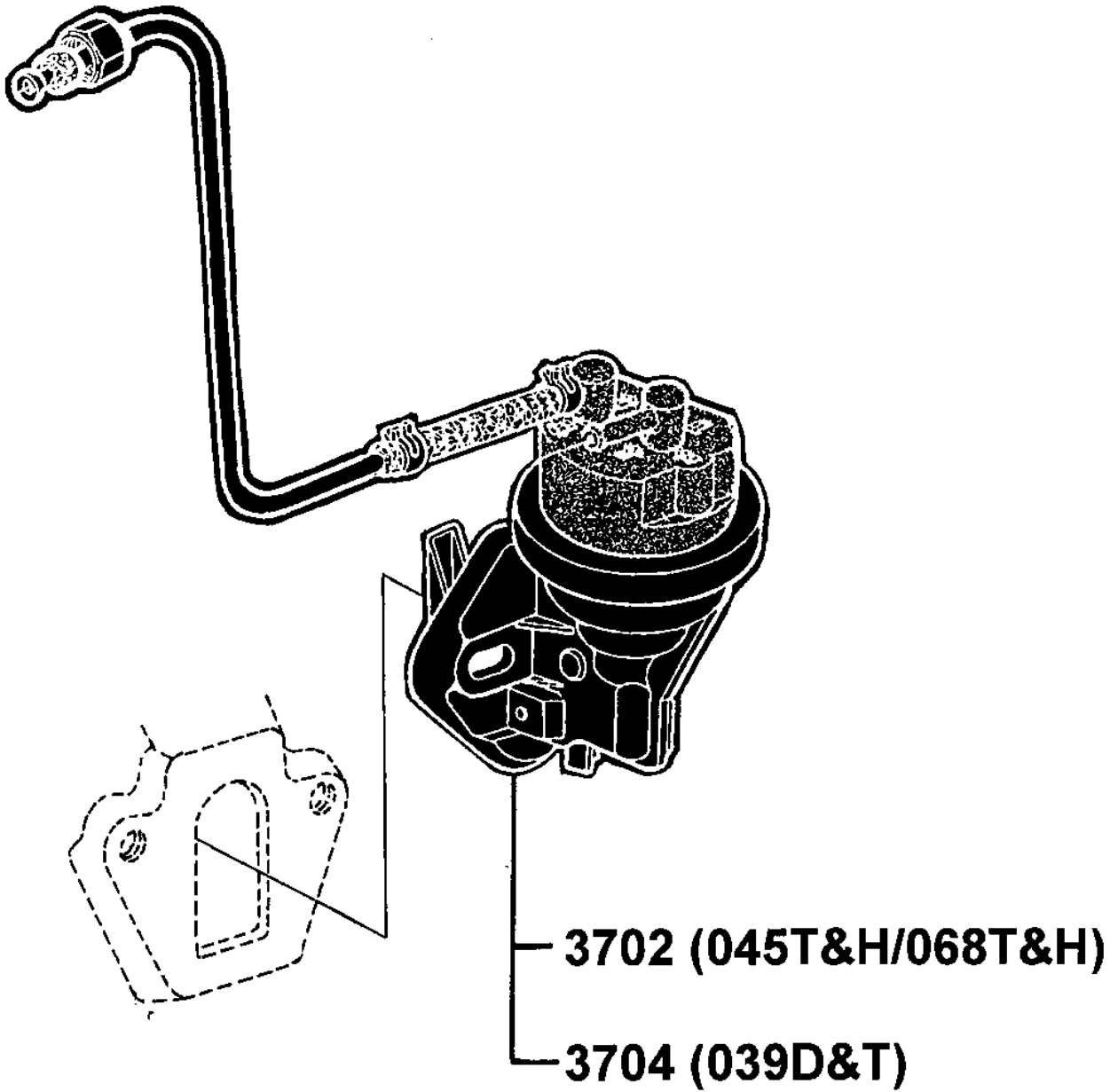
# 1G2

FUEL PUMP

## SECTIONAL INDEX

CD42737 -UN-11FEB99

3702 -	1G3
3704 -	1G4



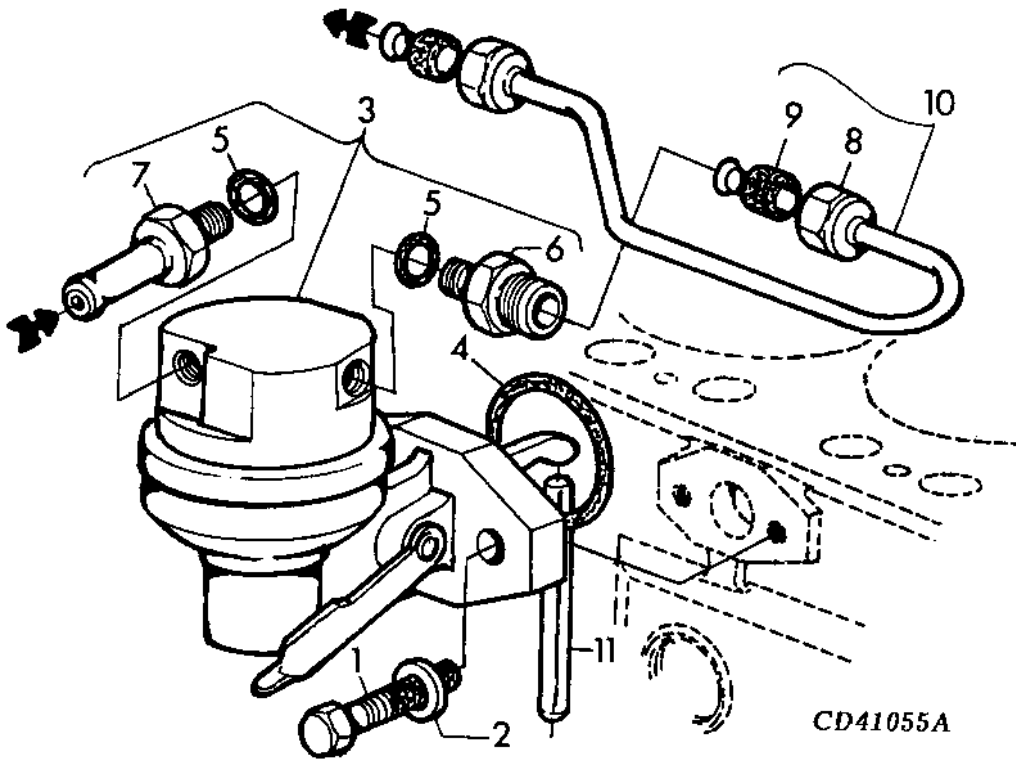
CD42737

# 1G3

FUEL PUMP

CD41055A -UN-13JAN98

3702



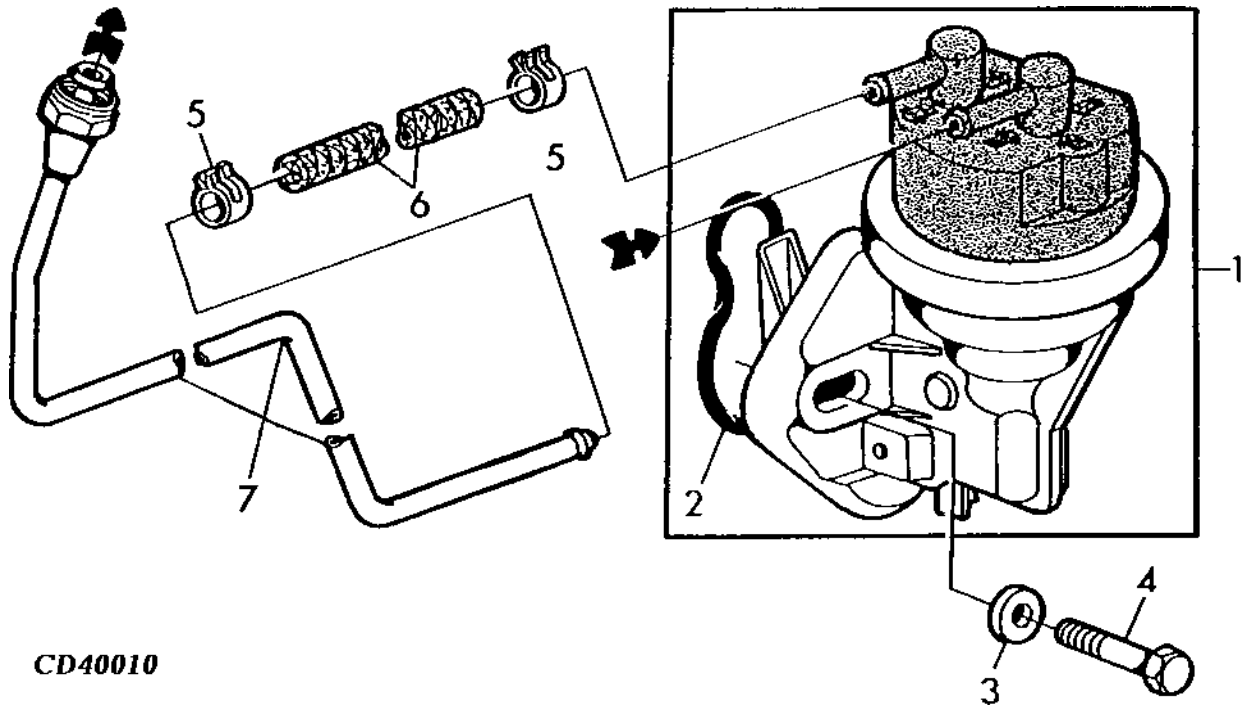
CD41055A

KEY	PART NO.	PART NAME	QTY	ENGINE SERIAL NO.	REMARKS
				0 0	
				4 6	
				5 8	
				T T	
				& &	
				H H	
1	RE66298	CAP SCREW	2	X X	WITH SEALANT
2	24M7055	WASHER	2	X X	8.400 X 16 X 1.600 MM
3	RE68345	FUEL PUMP	1	X X	ASSY, INCL KEYS 4-7
4	R123273	O-RING	1	X X	
5	R500271	O-RING	2	X X	
6	R500270	UNION FITTING	1	X X	M10 X 9/16"
7	R500269	FITTING	1	X X	M10 X OD 8.5MM, (ALSO ORDER R500271)
8	R123594	NUT	2	X X	9/16"-24UNEF
9	R74012	SEALING WASHER	2	X X	
10	RE60037	FUEL LINE	1	X X	
11	R133405	PUSH ROD	1	X X	

MEMORANDA

CD40010 -UN-07SEP95

3704



**CD40010**

KEY	PART NO.	PART NAME	QTY	ENGINE SERIAL NO.	0 3 9 D & T	REMARKS
1	RE38009	FUEL PUMP	1		X	80 L/H-15 KPA (0.15 BAR) 2500 MIN-1 (21 GPH-2.1 PSI/2500 MIN-1)
2	T16318	O-RING	1		X	
3	24H1136	WASHER	2		X	11/32" X 11/16" X 0.065"
4	19H2127	CAP SCREW	2		X	5/16" X 7/8"
5	R56101	CLIP	2		X	
6	UN4660	HOSE	1		X	LGTH 50MM
7	RE58915	FUEL LINE	1		X	

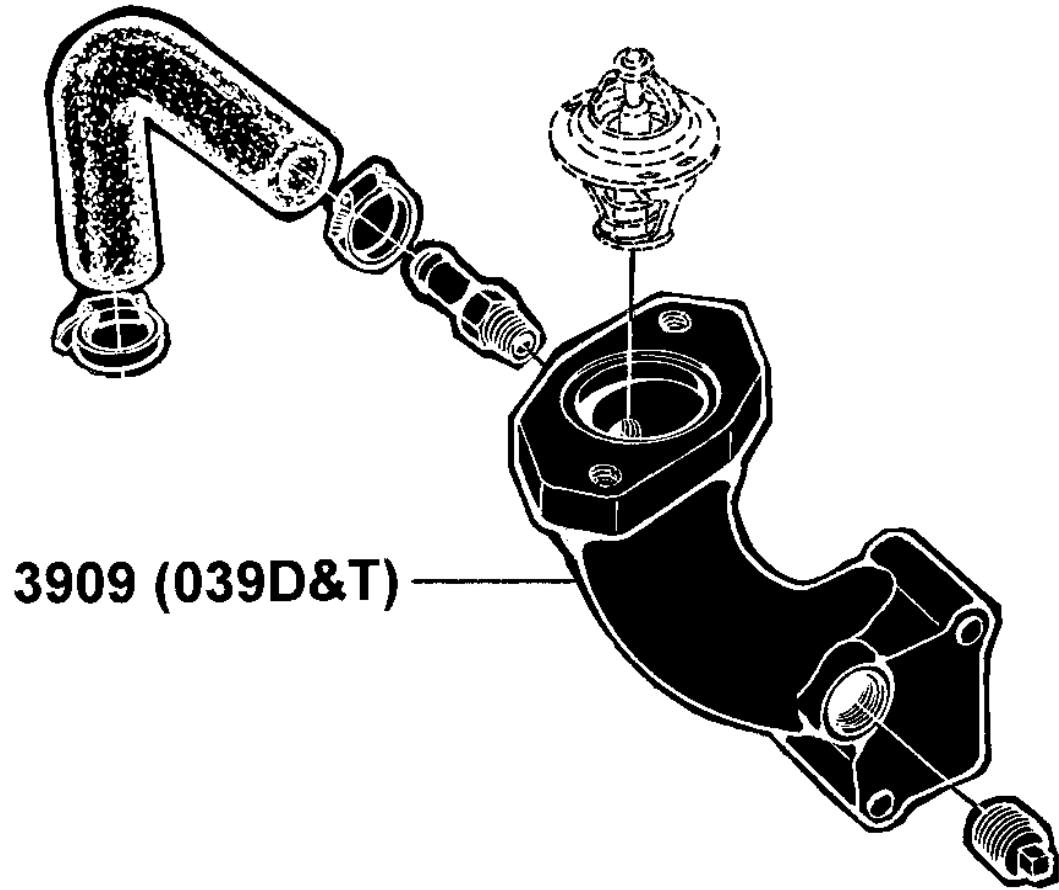
MEMORANDA

# 1G6

SECTIONAL INDEX

CD42738 -UN-11FEB99

3909 - 1G7



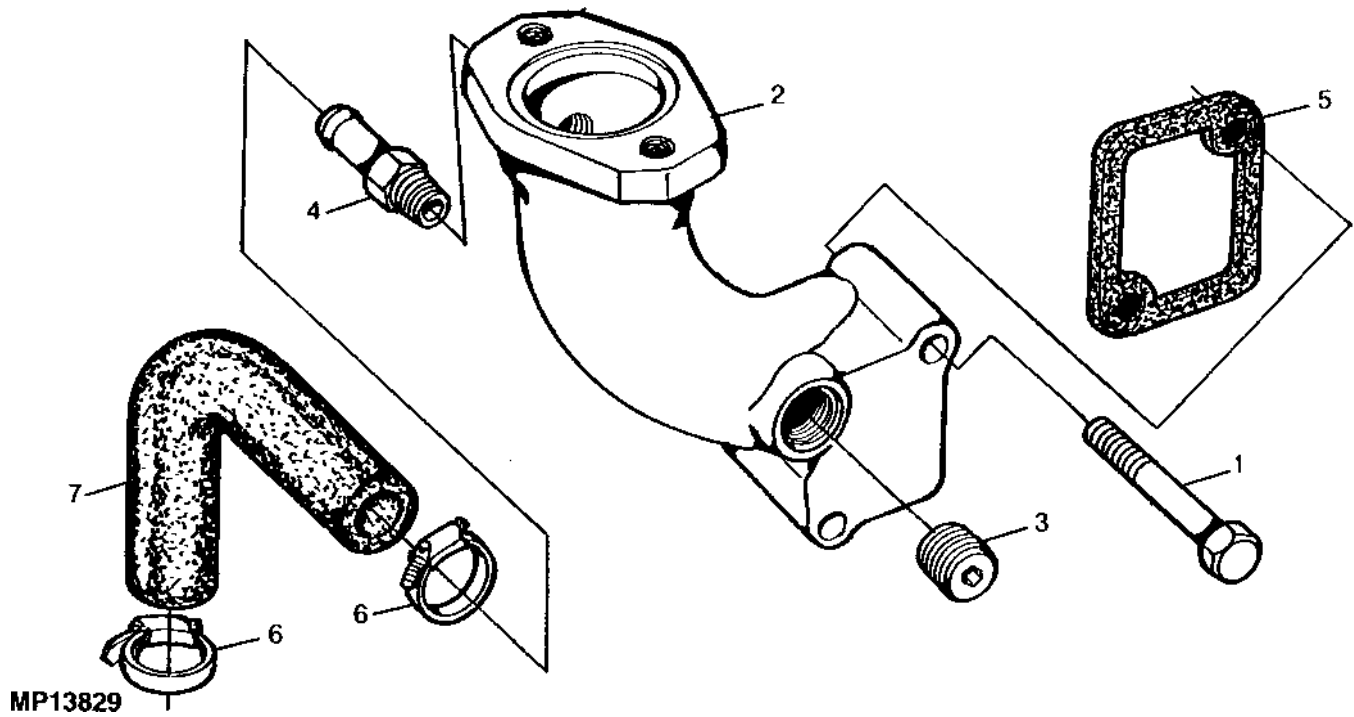
CD42738

# 1G7

THERMOSTAT HOUSING

MP13829 -UN-21NOV94

3909



KEY	PART NO.	PART NAME	QTY	ENGINE SERIAL NO.	0 3 9 D	REMARKS
1	19H3031	CAP SCREW	2		X	3/8" X 2-1/2", (SAE 8)
2	R105806	HOUSING	1		X	
3	15H584	PIPE PLUG	1		X	1/2"
4	T19651	HOSE FITTING	1		X	
5	R54641	GASKET	1		X	
6	AR21837	CLAMP	2		X	
7	T20277	HOSE	1		X	



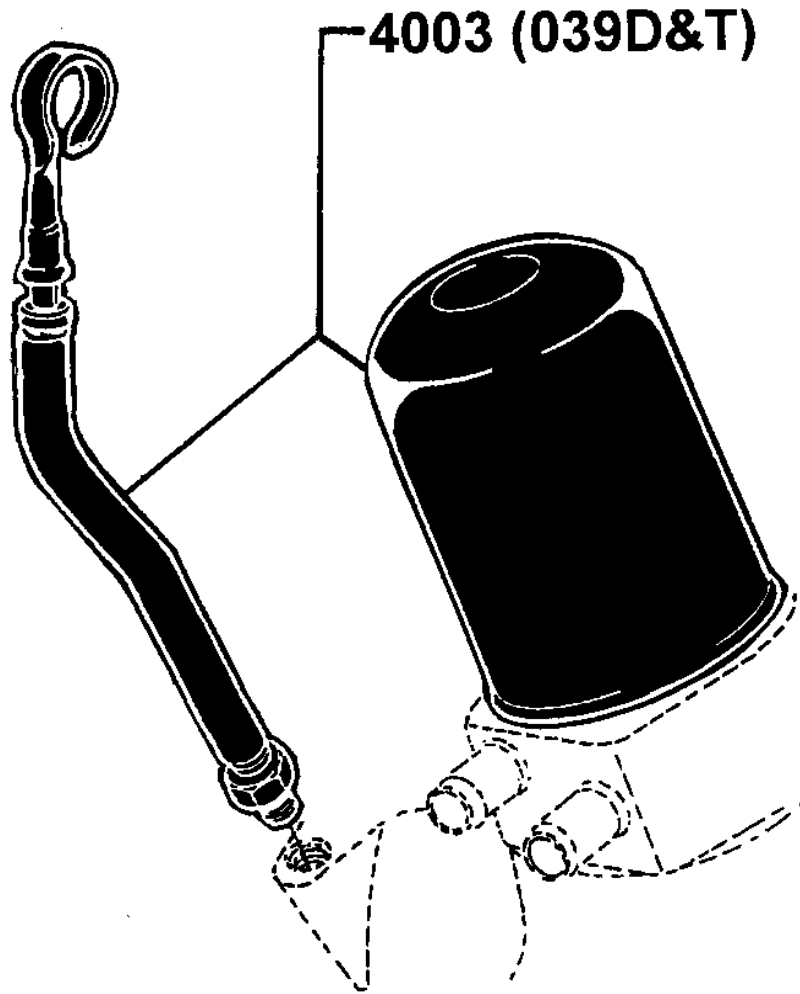
MEMORANDA

# 1G9

OIL DIPSTICK

SECTIONAL INDEX  
CD42739 -UN-11FEB99

4003 -	1G11
4017 -	1G12
4017 -	1G13



**CD42739**

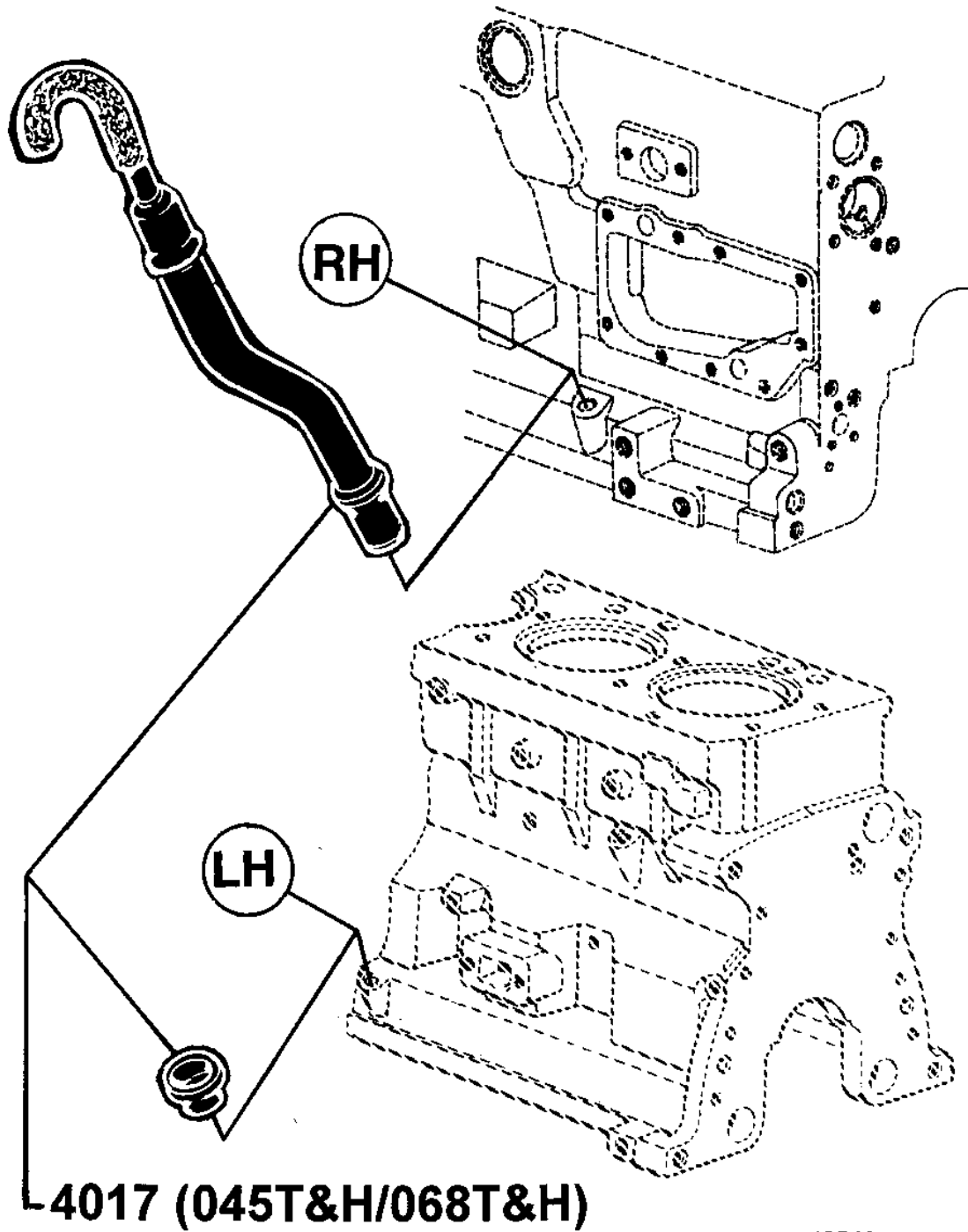
# 1G10

OIL DIPSTICK

## SECTIONAL INDEX

CD42740 -UN-11FEB99

4003 -	1G11
4017 -	1G12
4017 -	1G13



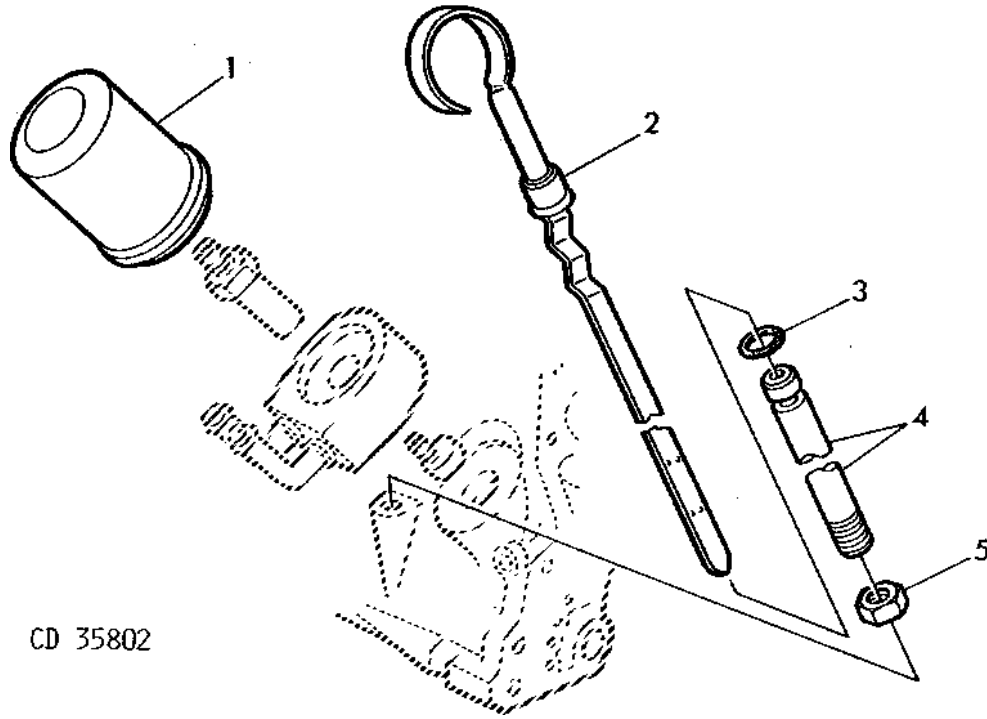
CD42740

# 1G11

OIL DIPSTICK

CD35802 -UN-01JAN94

4003



KEY	PART NO.	PART NAME	QTY	ENGINE SERIAL NO.	0 3 9 D & T	REMARKS
1	T19044	OIL FILTER	1		X	
2	AT21535	DIPSTICK	1		X	LGTH 270MM
3	R10093	O-RING	1		X	
4	R114102	GUIDE	1		X	LGTH 155MM
5	14H826	NUT	1		X	1/2"

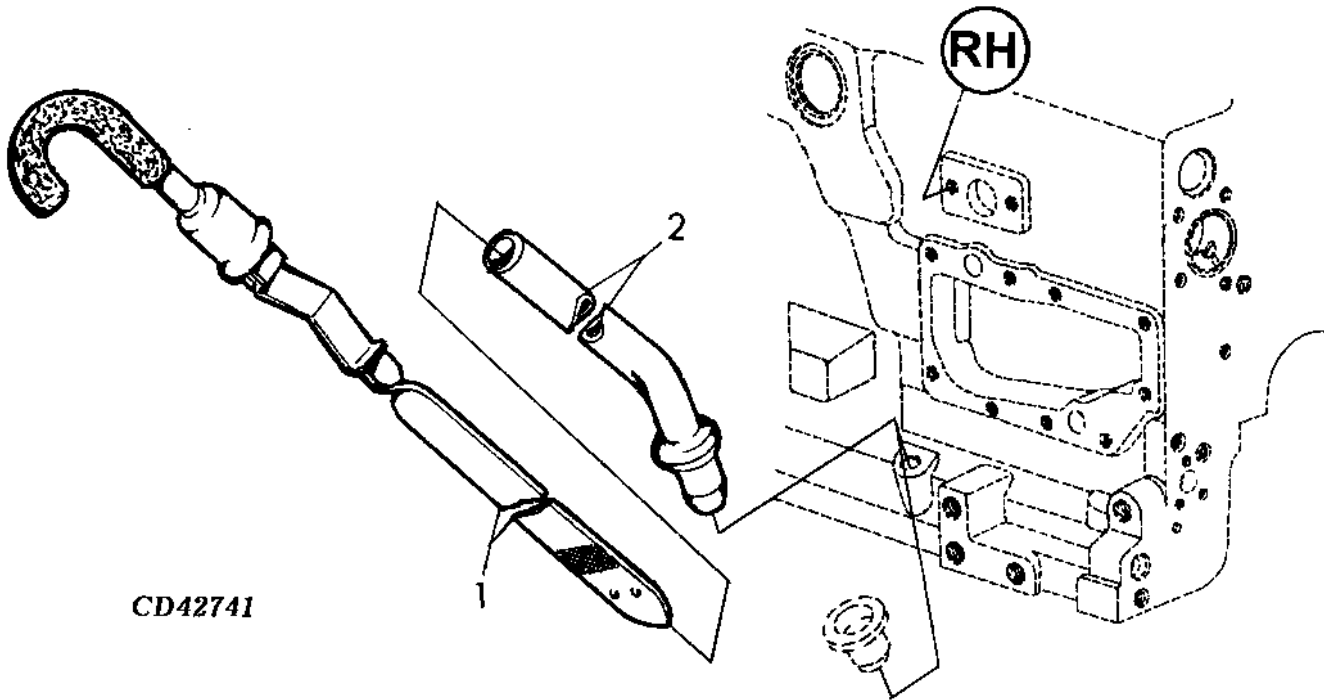
MEMORANDA

# 1G12

OIL DIPSTICK

CD42741 -UN-18FEB99

4017



CD42741

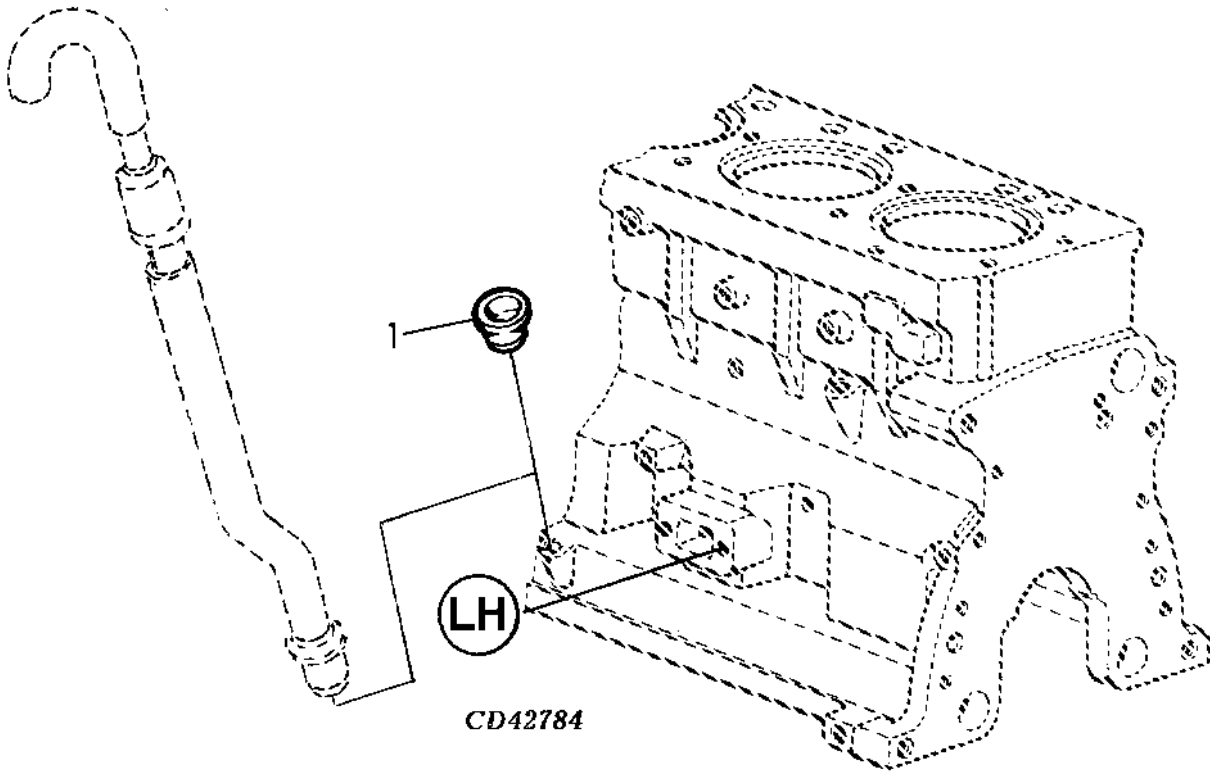
KEY	PART NO.	PART NAME	QTY	ENGINE SERIAL NO.	REMARKS
1	RE500168	DIPSTICK	1	0 0 4 6 5 8 T T & & H H	
2	R500116	GUIDE	1		X X RH X X RH

# 1G13

OIL DIPSTICK

CD42784 -UN-18FEB99

4017 - CONTINUED



KEY	PART NO.	PART NAME	QTY	ENGINE SERIAL NO.	REMARKS
1	R134240	PLUG	1	0 0 4 6 5 8 T T & & H H	X X LH

MEMORANDA

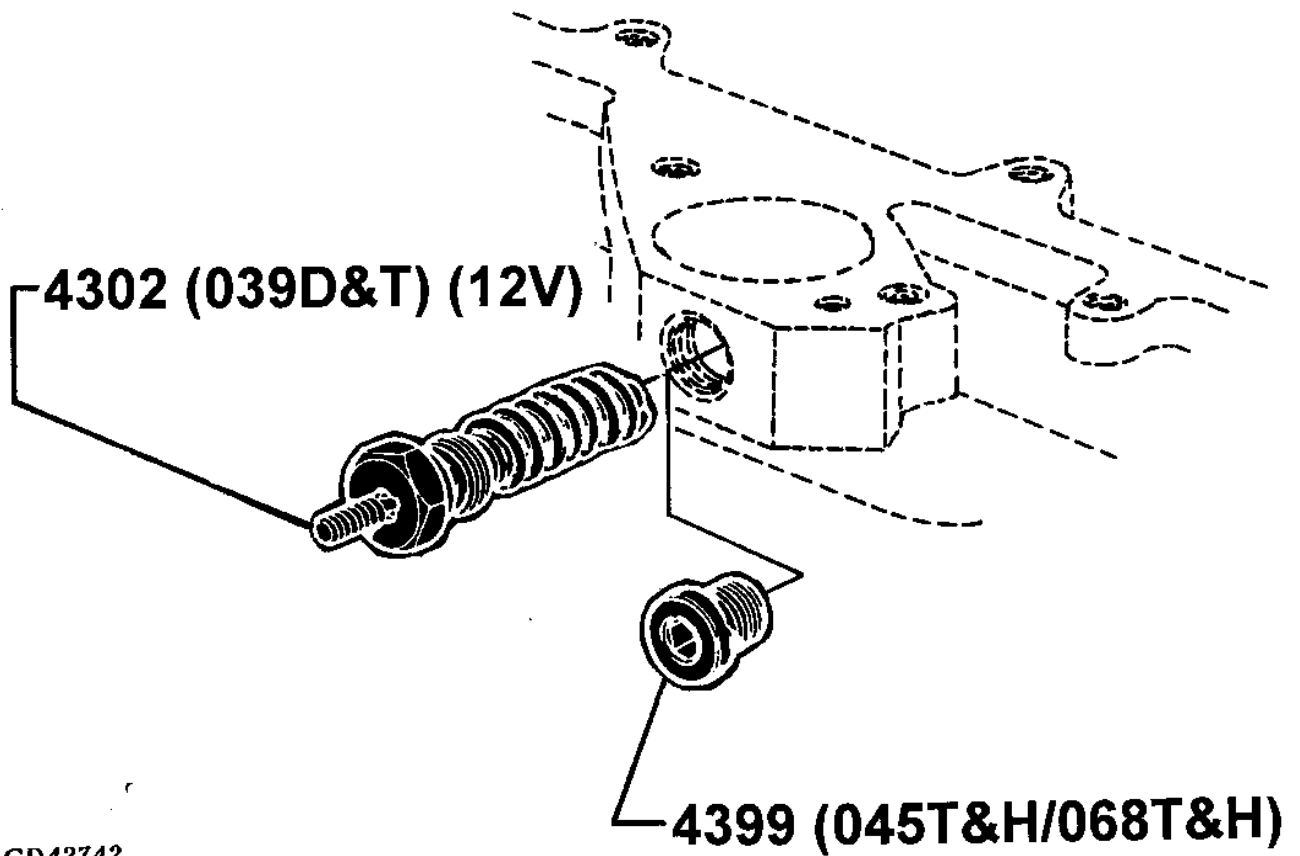


# 1G15

SECTIONAL INDEX

CD42742 -UN-11FEB99

4302 -	1G16
4399 -	1G17



CD42742

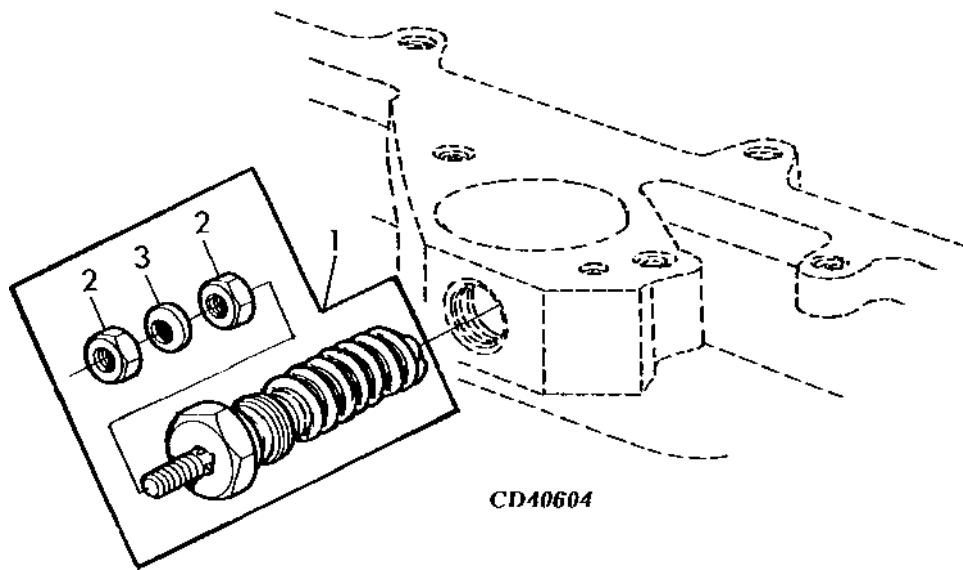
MEMORANDA

# 1G16

STARTING AID

CD40604 -UN-17AUG95

4302



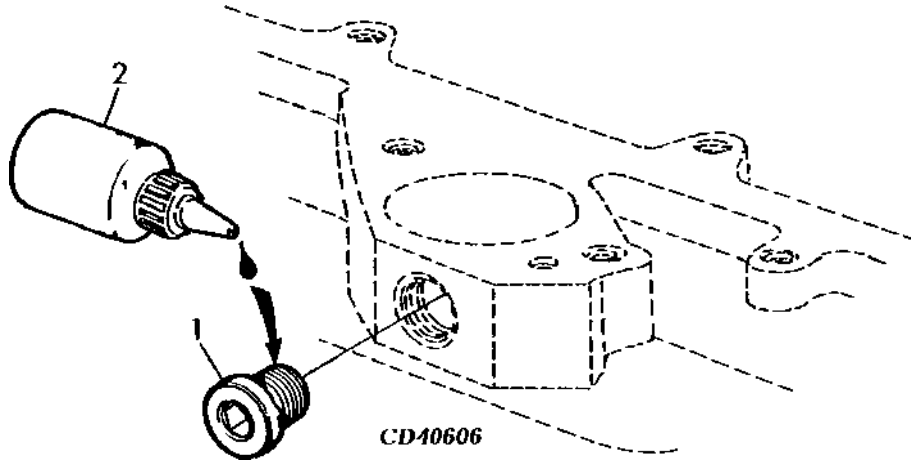
KEY	PART NO.	PART NAME	QTY	ENGINE SERIAL NO.	0 3 9 D & T	REMARKS
1	RE502079	GLOW PLUG	1		X	7/8"-14UNF (12V - 700W)
2	14M7297	NUT	2		X	M5
3	12M7077	WASHER	1		X	5.100 MM

# 1G17

STARTING AID

CD40606 -UN-17AUG95

4399



KEY	PART NO.	PART NAME	QTY	ENGINE SERIAL NO.	REMARKS
1	T58477	FITTING	1	0 0	7/8"-14UNF, ALSO ORDER TY9374 AND TY9375
2	TY9374	SEALANT	AR	4 6	
	TY9375	SEALANT	AR	5 8	
				T T	
				& &	
				H H	

MEMORANDA

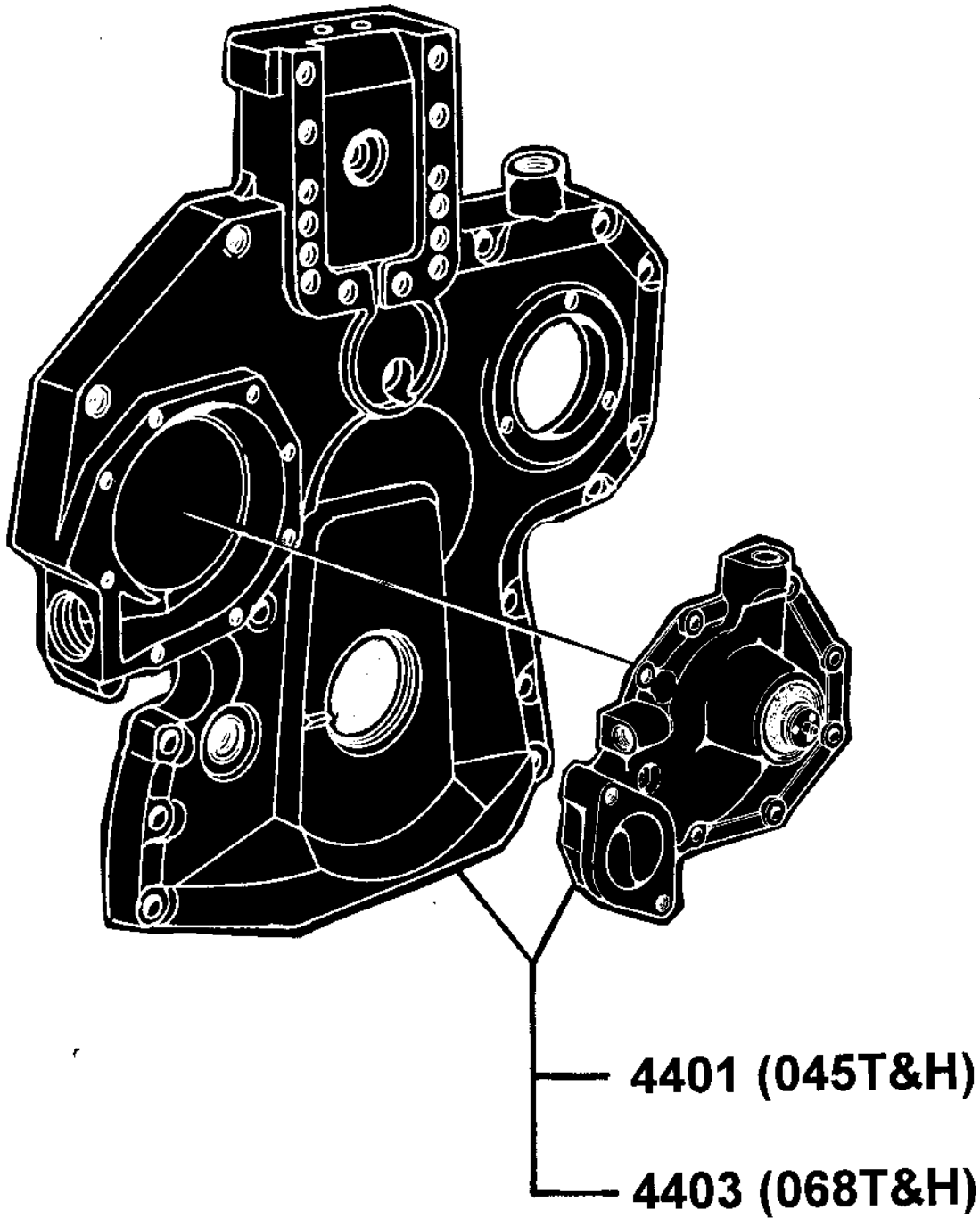
# 1G19

TIMING GEAR COVER

## SECTIONAL INDEX

CD42743 -UN-11FEB99

4401 -	1G21
4401 -	1G22
4403 -	1G23
4403 -	1G24
4499 -	1G25
4499 -	1H1



CD42743

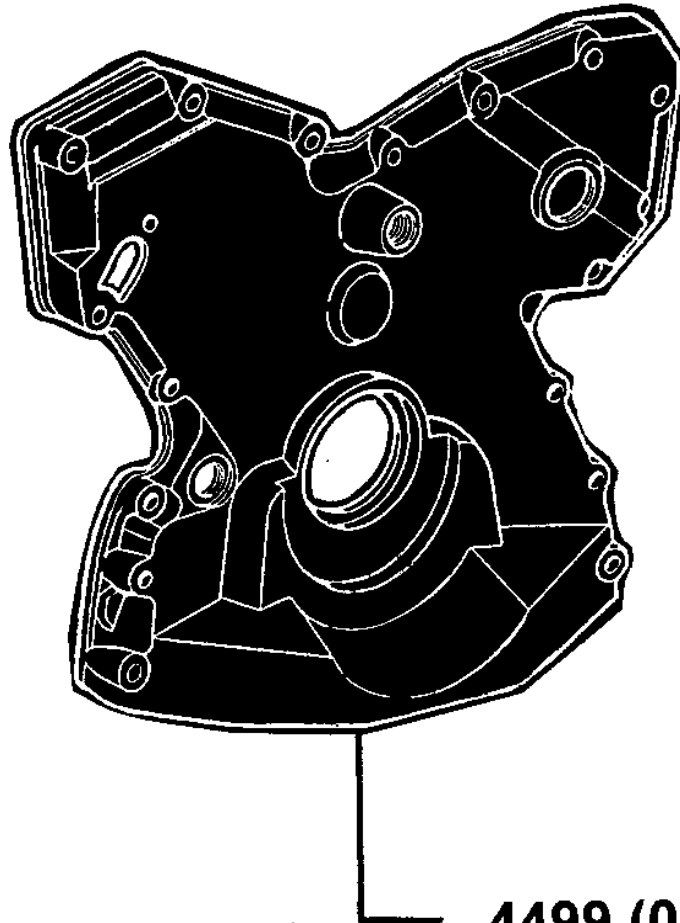
# 1G20

TIMING GEAR COVER

## SECTIONAL INDEX

CD42744 -UN-11FEB99

4401 -	1G21
4401 -	1G22
4403 -	1G23
4403 -	1G24
4499 -	1G25
4499 -	1H1



**4499 (039D&T)**

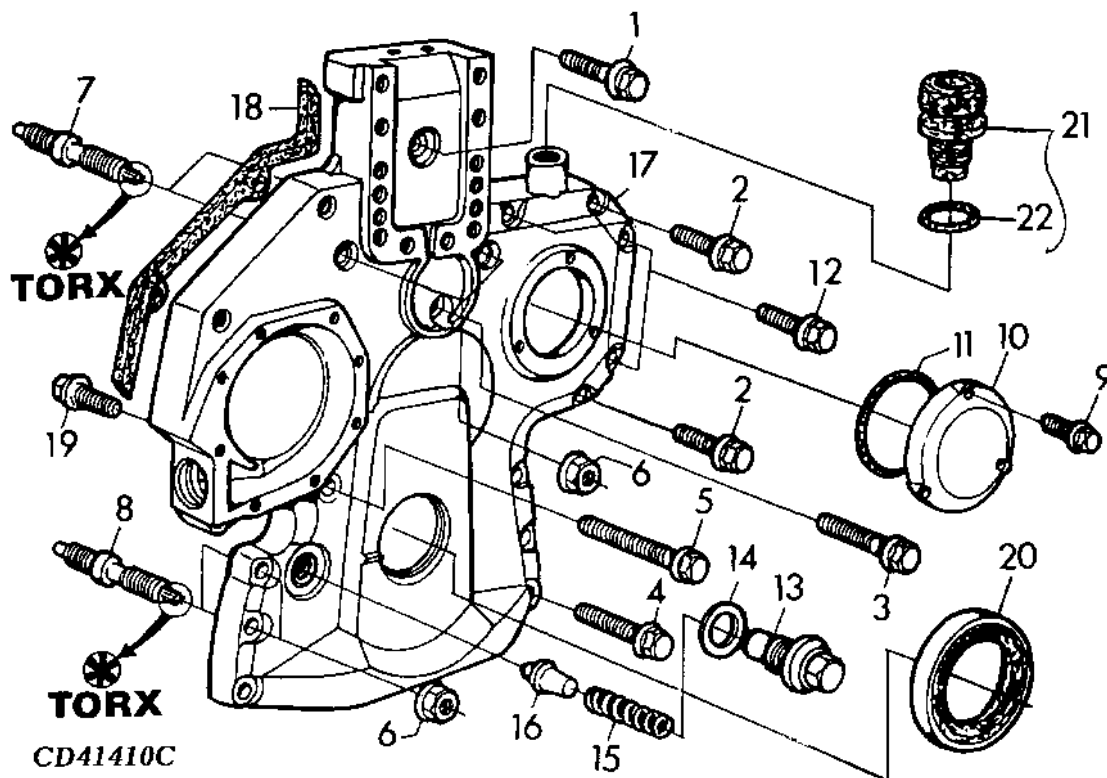
CD42744

# 1G21

TIMING GEAR COVER

CD41410C -UN-19FEB99

4401



0  
4  
5  
T  
&  
H

KEY	PART NO.	PART NAME	QTY	ENGINE SERIAL NO.	REMARKS
1	19M8291	SCREW	1	X	M8 X 35, (10.9)
2	19M8317	SCREW	4	X	M8 X 40, (10.9)
3	RE67239	SCREW	1	X	WITH SEALANT
4	19M7979	SCREW	2	X	M8 X 55, (10.9)
5	19M7801	SCREW	1	X	M8 X 60, (10.9)
6	14M7296	FLANGE NUT	6	X	M10, (10)
7	R134518	STUD	2	X	LGTH 68MM
8	R123584	STUD	4	X	LGTH 79MM
9	19M7775	SCREW	3	X	M6 X 16, (10.9)
10	R121411	COVER	1	X	
11	R121424	O-RING	1	X	
12	19M7800	SCREW	2	X	M8 X 50, (10.9)
13	R91692	PLUG	1	X	
14	A4827R	WASHER	1	X	
15	T27658	SPRING	1	X	LGTH 119MM
16	R83169	VALVE	1	X	
17	R134531	COVER	1	X	
18	R136516	GASKET	1	X	
19	19M7867	SCREW	1	X	M8 X 25, (10.9)
20	.....	SEAL	1	X	NSEP, ORD KIT RE59810
21	RE501938	PLUG	1	X	
22	51M7044	O-RING	1	X	17.300 X 2.200 MM

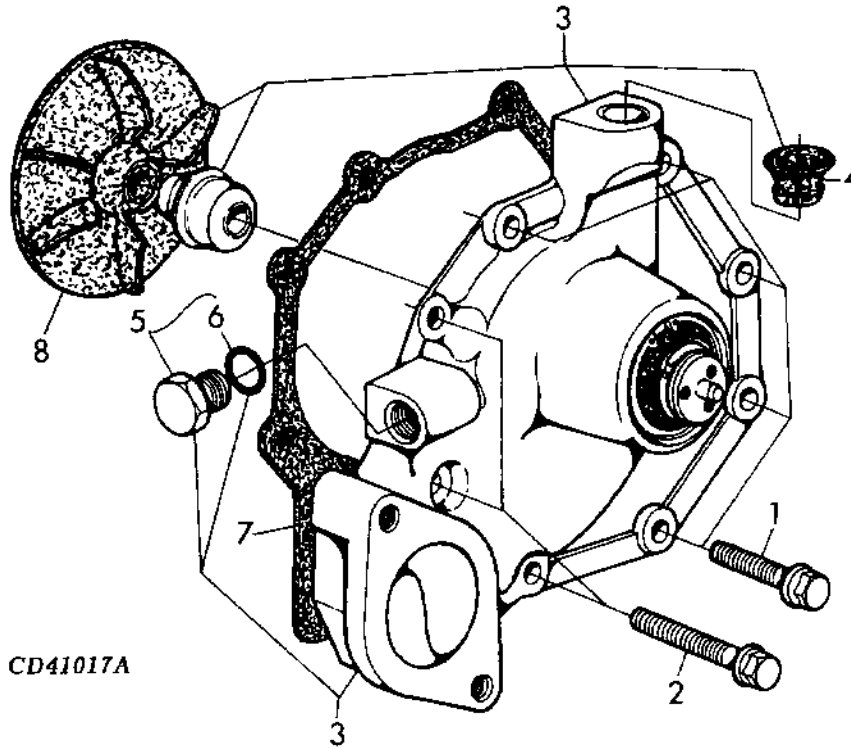


# 1G22

TIMING GEAR COVER

CD41017A -UN-19FEB99

4401 - CONTINUED



CD41017A

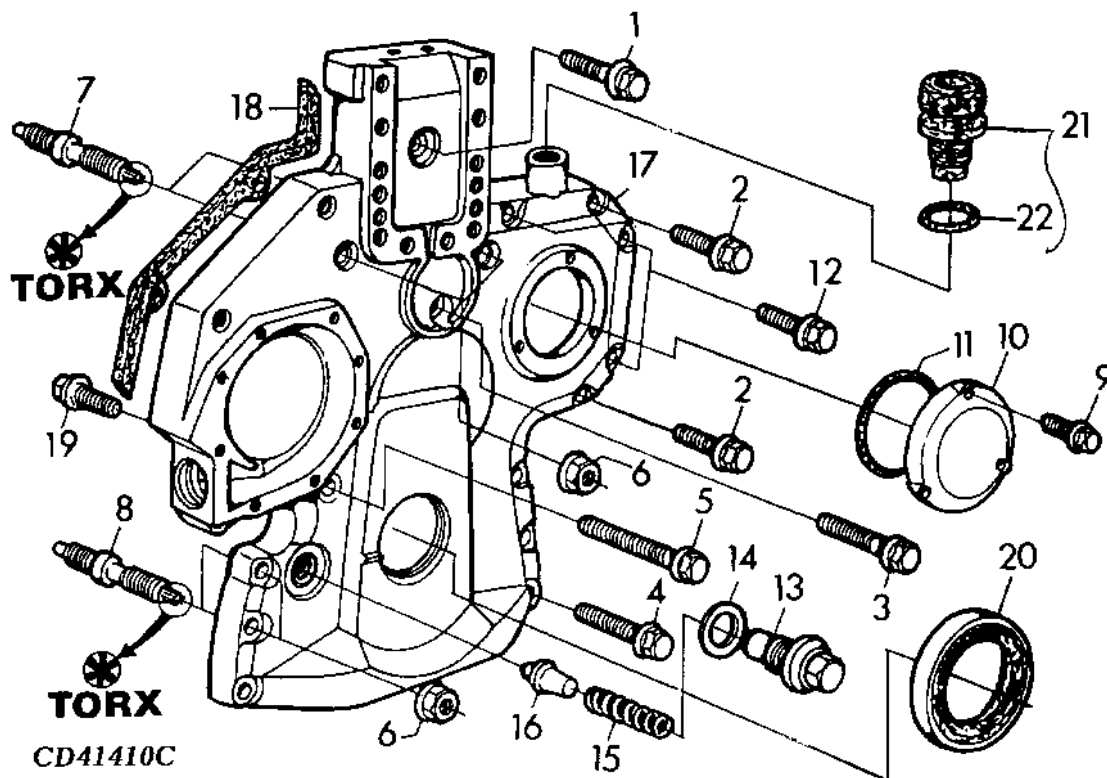
KEY	PART NO.	PART NAME	QTY	ENGINE SERIAL NO.	REMARKS
				0 4 5 T & H	
1	19M7863	SCREW	5	X	M6 X 25, (10.9)
2	19M7796	SCREW	3	X	M6 X 30, (10.9)
3	RE500737	WATER PUMP	1	X	ASSY, INCL. KEYS 4-6,8, (ALSO ORDER R123417 AND R123226)
4	R123226	GASKET	1	X	
5	RE46685	PLUG	1	X	M18 X 1.5
6	51M7043	O-RING	1	X	15.300 X 2.200 MM
7	R123417	GASKET	1	X	
8	.....	IMPELLER	1	X	MARKED R121036, ORD KIT RE71240

# 1G23

TIMING GEAR COVER

CD41410C -UN-19FEB99

4403



KEY	PART NO.	PART NAME	QTY	ENGINE SERIAL NO.	REMARKS
1	19M8291	SCREW	1		X M8 X 35, (10.9)
2	19M8317	SCREW	4		X M8 X 40, (10.9)
3	RE67239	SCREW	1		X WITH SEALANT
4	19M7979	SCREW	2		X M8 X 55, (10.9)
5	19M7801	SCREW	1		X M8 X 60, (10.9)
6	14M7296	FLANGE NUT	6		X M10, (10)
7	R134518	STUD	2		X LGTH 68MM
8	R123584	STUD	4		X LGTH 79MM
9	19M7775	SCREW	3		X M6 X 16, (10.9)
10	R121411	COVER	1		X
11	R121424	O-RING	1		X
12	19M7800	SCREW	2		X M8 X 50, (10.9)
13	R91692	PLUG	1		X
14	A4827R	WASHER	1		X
15	T27658	SPRING	1		X LGTH 119MM
16	R83169	VALVE	1		X
17	R134531	COVER	1		X
18	R136516	GASKET	1		X
19	19M7867	SCREW	1		X M8 X 25, (10.9)
20	.....	SEAL	1		X NSEP, ORD KIT RE59810
21	RE501938	PLUG	1		X
22	51M7044	O-RING	1		X 17.300 X 2.200 MM

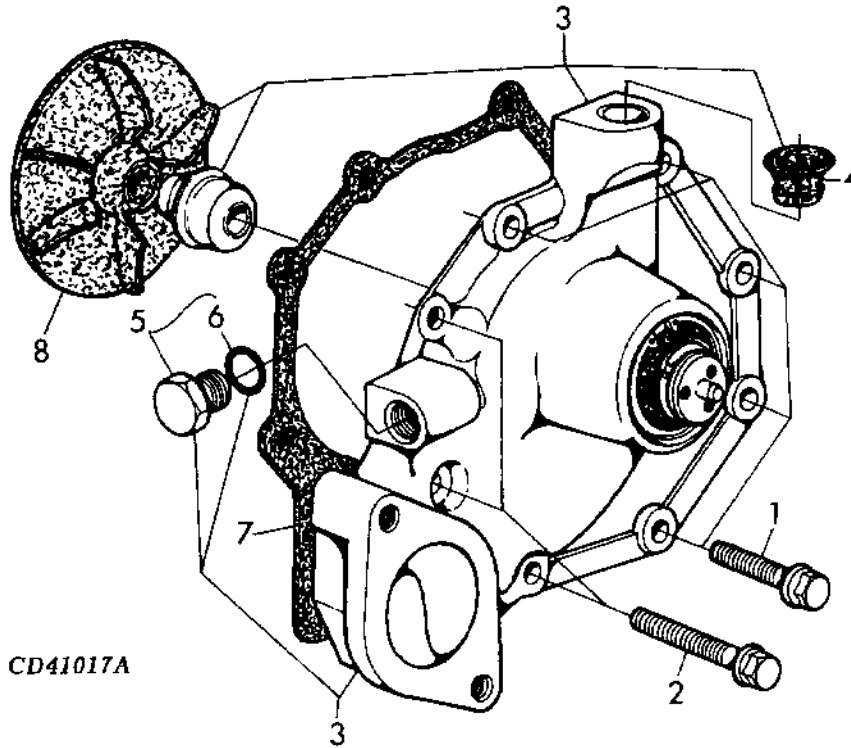
0  
6  
8  
T  
&  
H

# 1G24

TIMING GEAR COVER

CD41017A -UN-19FEB99

4403 - CONTINUED



KEY	PART NO.	PART NAME	QTY	ENGINE SERIAL NO.	REMARKS
1	19M7863	SCREW	5		X M6 X 25, (10.9)
2	19M7796	SCREW	3		X M6 X 30, (10.9)
3	RE500734	WATER PUMP	1		X ASSY, INCL KEYS 4-6,8, (ALSO ORDER R123417 AND R123226)
4	R123226	GASKET	1		X
5	RE46685	PLUG	1		X M18 X 1.5
6	51M7043	O-RING	1		X 15.300 X 2.200 MM
7	R123417	GASKET	1		X
8	.....	IMPELLER	1		X MARKED R123395, ORD KIT RE70962

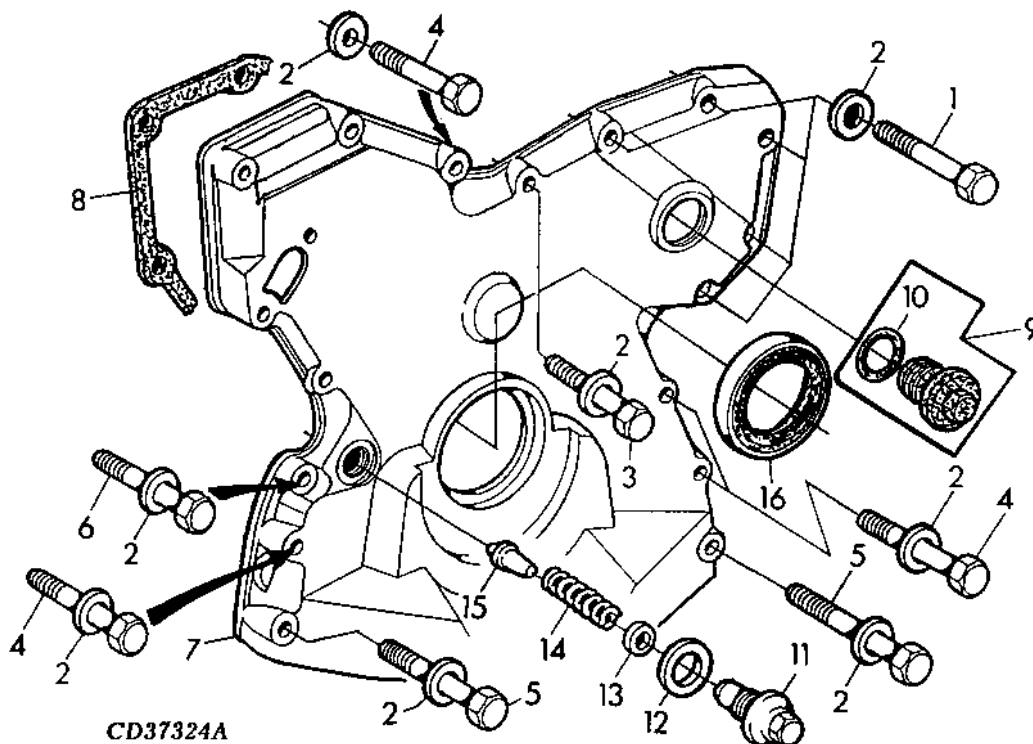
0  
6  
8  
T  
&  
H

# 1G25

TIMING GEAR COVER

CD37324A -UN-19MAR98

4499



CD37324A

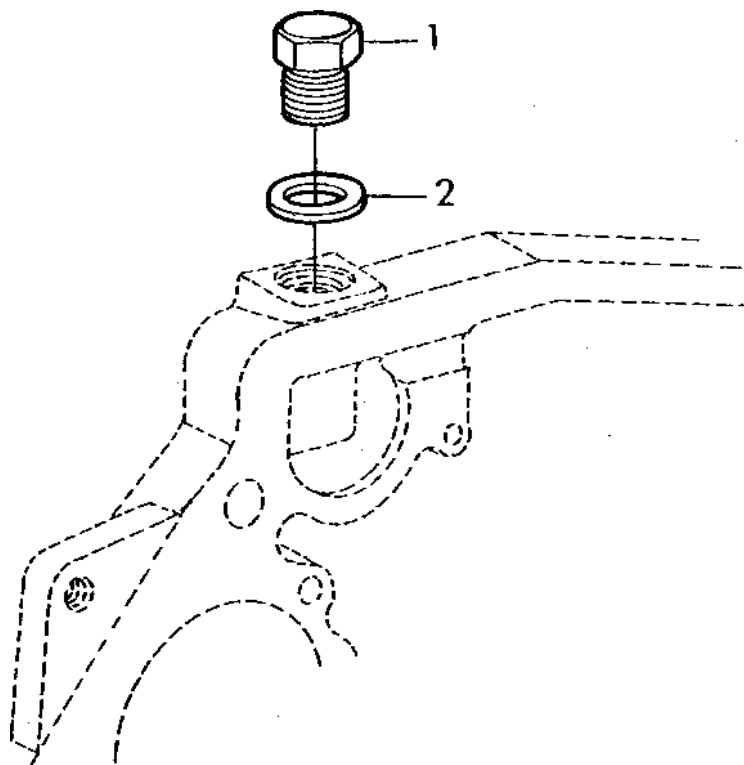
KEY	PART NO.	PART NAME	QTY	ENGINE SERIAL NO.	0 3 9 D & T	REMARKS
1	19H3065	CAP SCREW	5		X	3/8" X 2", (SAE 8)
2	24M7106	WASHER	13		X	10 X 18 X 2.500 MM
3	19H1726	CAP SCREW	1		X	3/8" X 2-1/4"
4	19H2733	CAP SCREW	4		X	3/8" X 2-3/8", (SAE 8)
5	19H3031	CAP SCREW	2		X	3/8" X 2-1/2", (SAE 8)
6	19H2549	CAP SCREW	1		X	3/8" X 1-7/8"
7	.....	COVER	1		X	ALUMINIUM, MARKED R122417, ORD RE51527
8	R97454	GASKET	1		X	
9	RE52977	DRAIN PLUG	1		X	M42 X 2
10	51M7049	O-RING	1		X	38.600 X 2.900 MM
11	R91692	PLUG	1		X	1"-16UNC
12	A4827R	WASHER	1		X	
13	24H1290	WASHER	AR		X	21/64" X 3/4" X 0.035"
14	T27658	SPRING	1		X	LGTH 119MM
15	R83169	VALVE	1		X	
16	AR67942	SEAL	1		X	

# 1H1

TIMING GEAR COVER

CD36525 -UN-01JAN94

4499 - CONTINUED



CD 36525

KEY	PART NO.	PART NAME	QTY	ENGINE SERIAL NO.	0 3 9 D & T	REMARKS
1	M1746T	DRAIN PLUG	1		X	7/8"-14UNF
2	H1058R	WASHER	1		X	29/32" X 1-1/8" X 0.032"

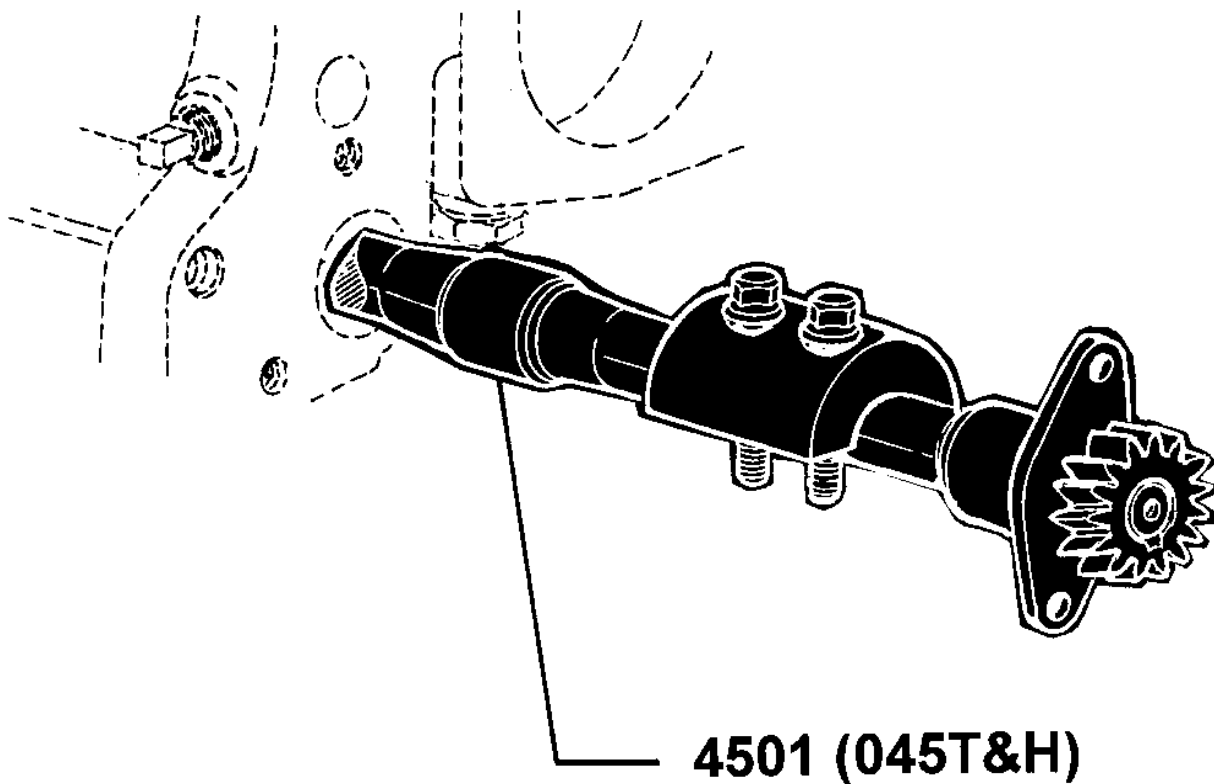
MEMORANDA

# 1H3

SECTIONAL INDEX

CD42745 -UN-11FEB99

4501 -	1H4
4501 -	1H5



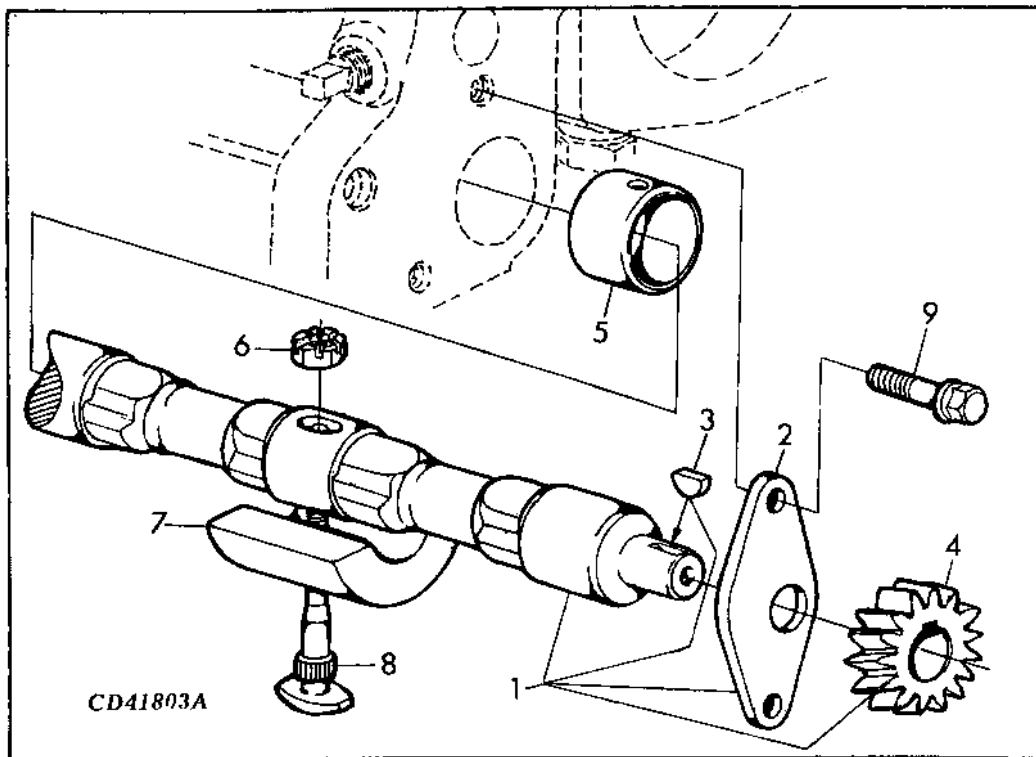
CD42745

# 1H4

BALANCER SHAFT

CD41803A -UN-22DEC98

4501 - EARLY DESIGN



KEY	PART NO.	PART NAME	QTY	ENGINE SERIAL NO.	REMARKS
1	.....	BALANCER SHAFT	1		X MARKED R134357, ORD RE502446 AND RE502447, RH
	.....	BALANCER SHAFT	1		X MARKED R134357, ORD RE502446 AND RE502447, LH
2	R116078	PLATE	1		X
3	26M4224	SHAFT KEY	1		X 4 X 16 MM
4	R120637	HELICAL GEAR	1		X Z = 15, RH
	R120639	HELICAL GEAR	1		X Z = 15, LH
5	R115299	BUSHING	6		X
6	T15634	NUT	4		X
7	R134358	WEIGHT	4		X
8	T28745	BOLT	4		X
9	19M7864	SCREW	4		X M8 X 12, (10.9)

0  
4  
5  
T  
&  
H

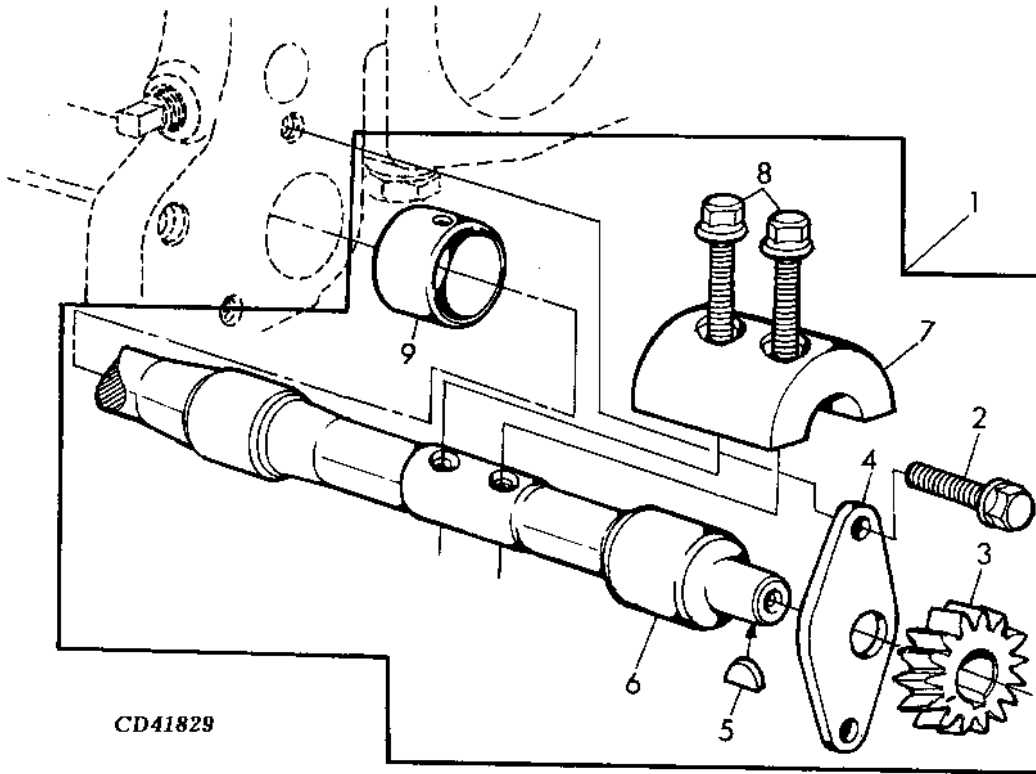


# 1H5

BALANCER SHAFT

CD41829 -UN-22DEC98

4501 - LATE DESIGN



CD41829

KEY	PART NO.	PART NAME	QTY	ENGINE SERIAL NO.	REMARKS
				0	
				4	
				5	
				T	
				&	
				H	
1	RE502447	BALANCER SHAFT	1	X	WITH INSTALLATION INSTRUCTIONS, RH
	RE502446	BALANCER SHAFT	1	X	WITH INSTALLATION INSTRUCTIONS, LH
2	19M7864	SCREW	2	X	M8 X 12, (10.9)
3	R120637	HELICAL GEAR	1	X	Z = 15, RH
	R120639	HELICAL GEAR	1	X	Z = 15, LH
4	R116078	PLATE	1	X	
5	26M4224	SHAFT KEY	1	X	4 X 16 MM
6	.....	BALANCER SHAFT	1	X	MARKED R500668 , RH , ORD RE502447
	.....	BALANCER SHAFT	1	X	MARKED R500266 , LH , ORD RE502446
7	R500650	WEIGHT	2	X	
8	19M7798	SCREW	4	X	M8 X 40, (10.9)
9	R115299	BUSHING	3	X	

SECTIONAL INDEX  
CD42746 -UN-11FEB99

5602 - 1H8



**5602 (all models)**



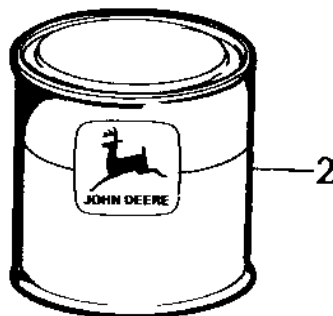
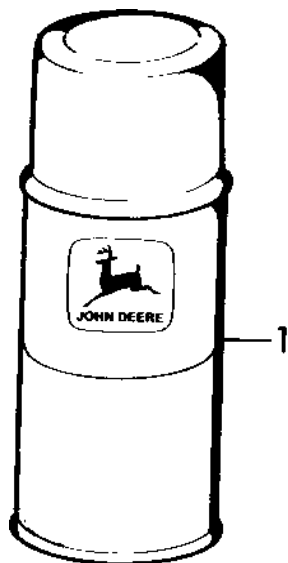
**CD42746**

# 1H8

PAINT

CD40511 -UN-17FEB95

5602



**CD40511**

KEY	PART NO.	PART NAME	QTY	ENGINE SERIAL NO.	MODELS	REMARKS
1	.....	PAINT	NA		X	
2	VFLK07V7467	PAINT	AR		X	GREEN, 0.7L (0.73QT)

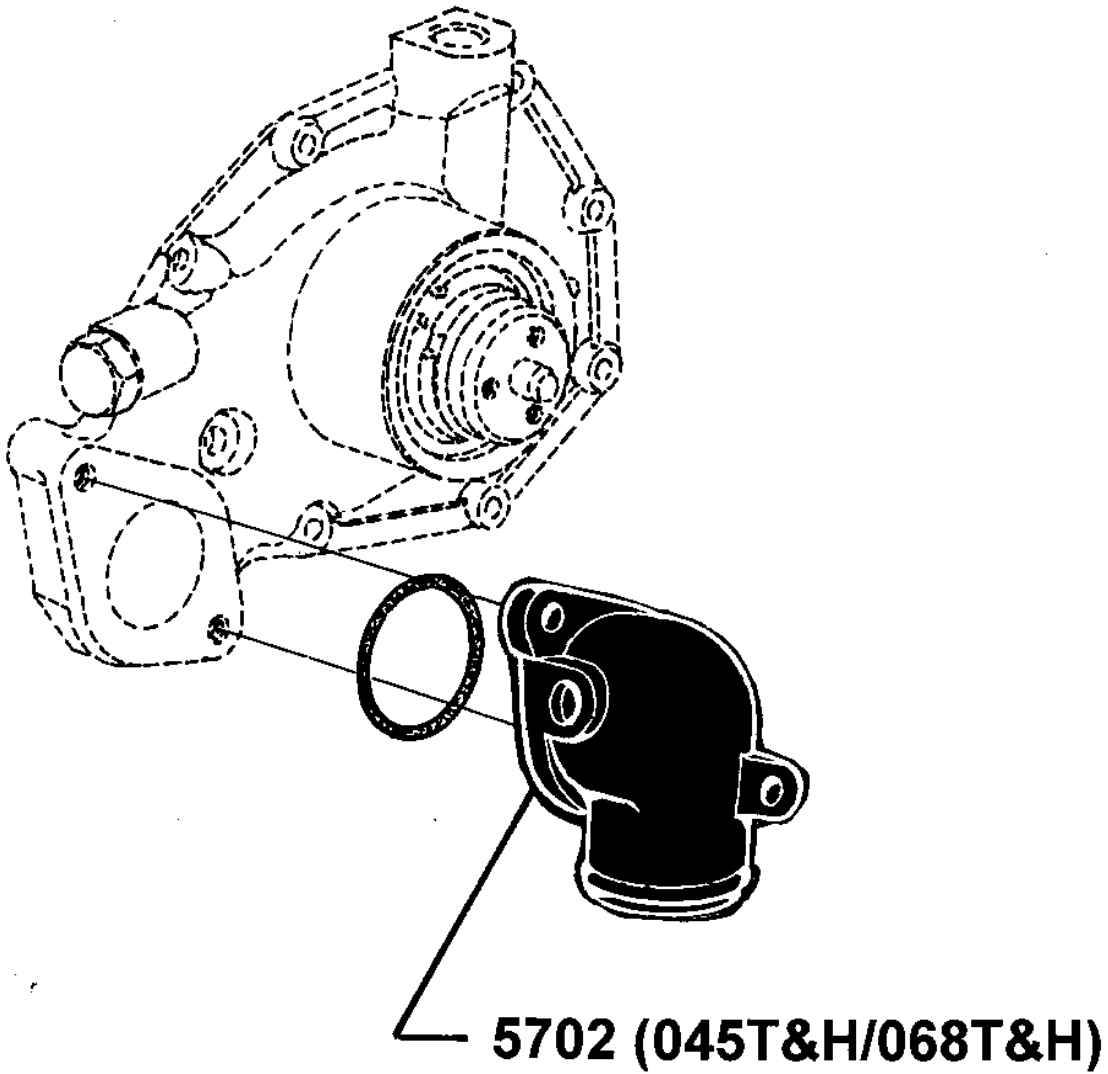
# 1H10

WATER PUMP INLET

SECTIONAL INDEX

CD42747 -UN-11FEB99

5702 - 1H11



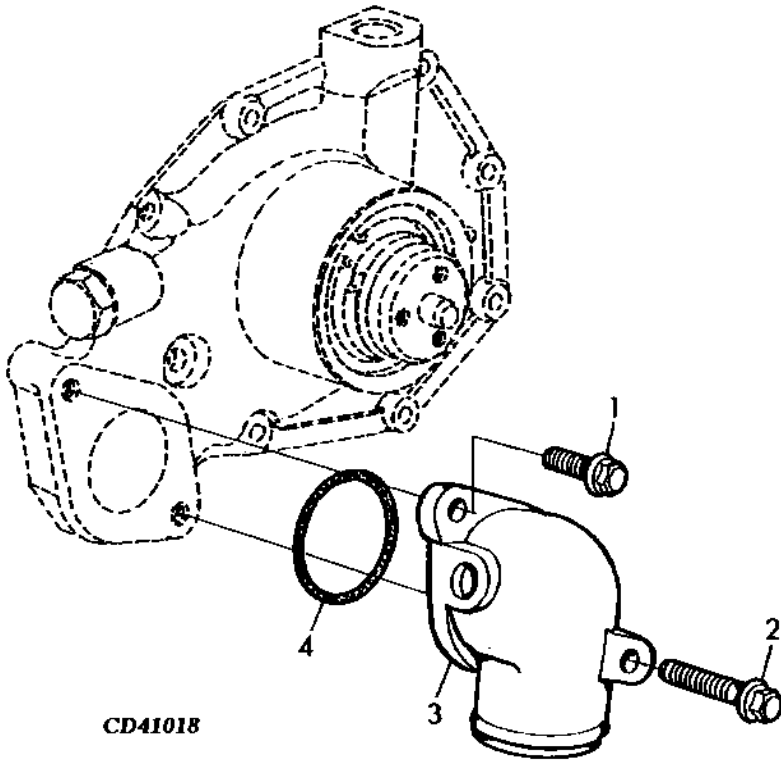
CD42747

# 1H11

WATER PUMP INLET

CD41018 -UN-31JAN96

5702



CD41018

KEY	PART NO.	PART NAME	QTY	ENGINE SERIAL NO.	REMARKS
				0 0	
				4 6	
				5 8	
				T T	
				& &	
				H H	
1	19M7867	SCREW	1	X X	M8 X 25, (10.9)
2	19M7802	SCREW	1	X X	M8 X 65, (10.9)
3	R121635	ADAPTER	1	X X	
4	R89944	O-RING	1	X X	

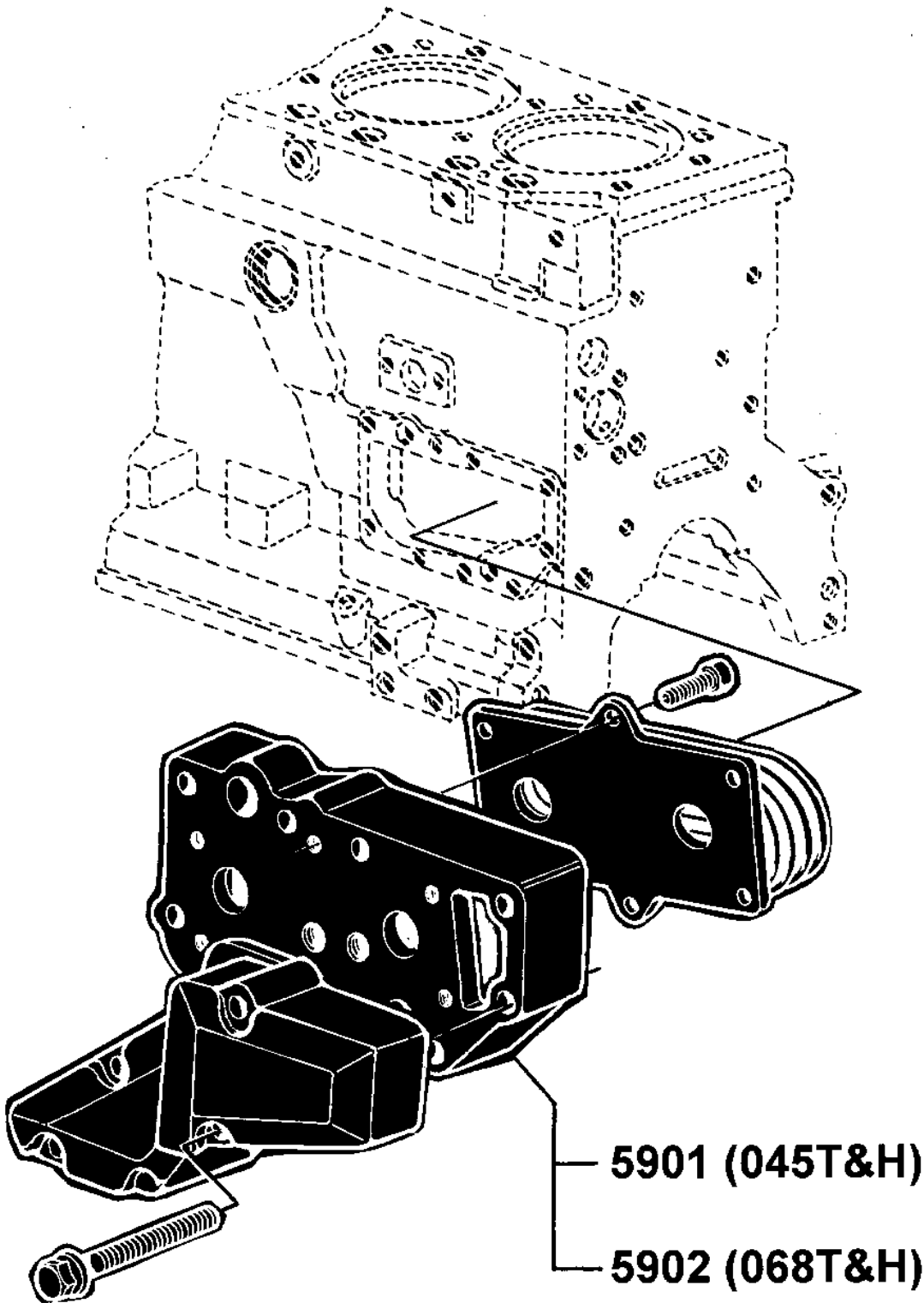
# 1H13

OIL COOLER

## SECTIONAL INDEX

CD42748 -UN-11FEB99

5901 -	1H15
5901 -	1H16
5902 -	1H17
5902 -	1H18
5906 -	1H19
5906 -	1H20



CD42748

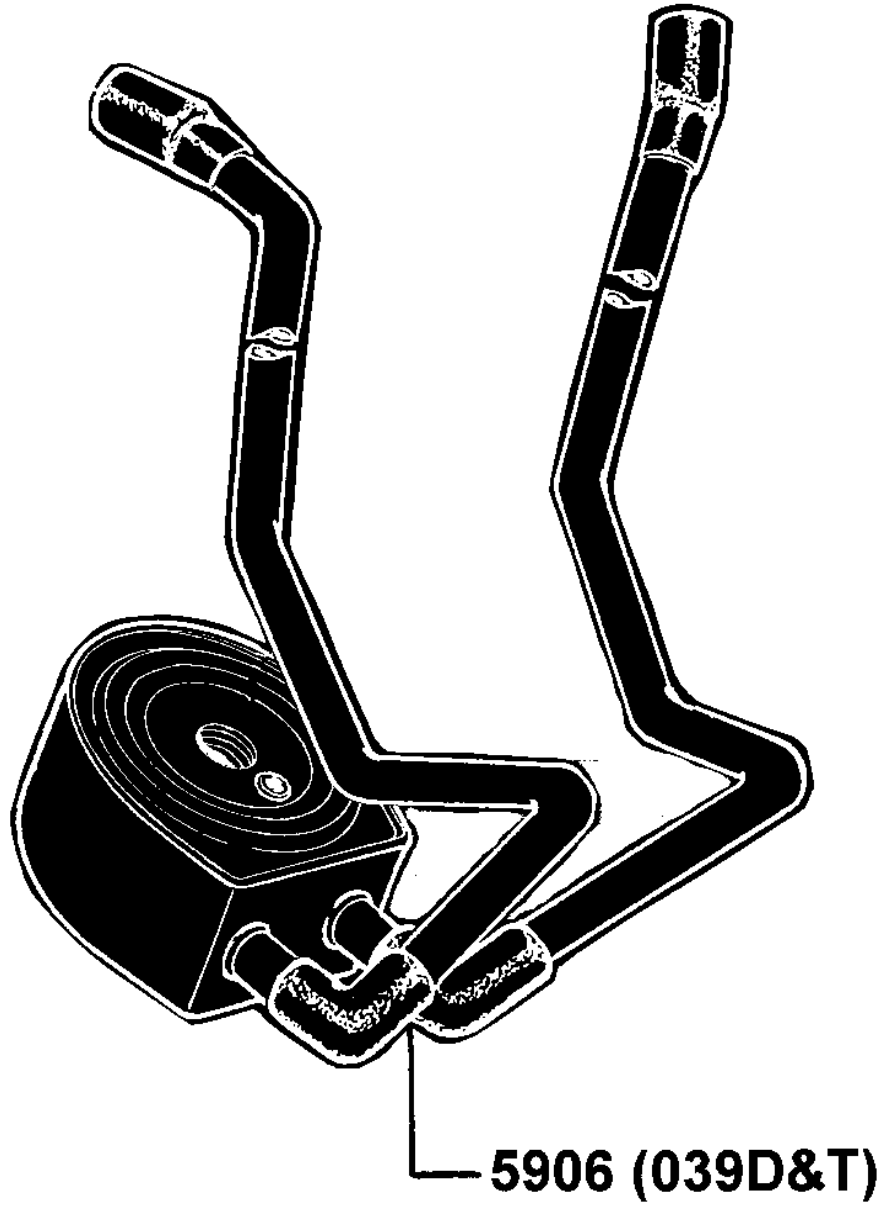
# 1H14

OIL COOLER

## SECTIONAL INDEX

CD42749 -UN-11FEB99

5901 -	1H15
5901 -	1H16
5902 -	1H17
5902 -	1H18
5906 -	1H19
5906 -	1H20



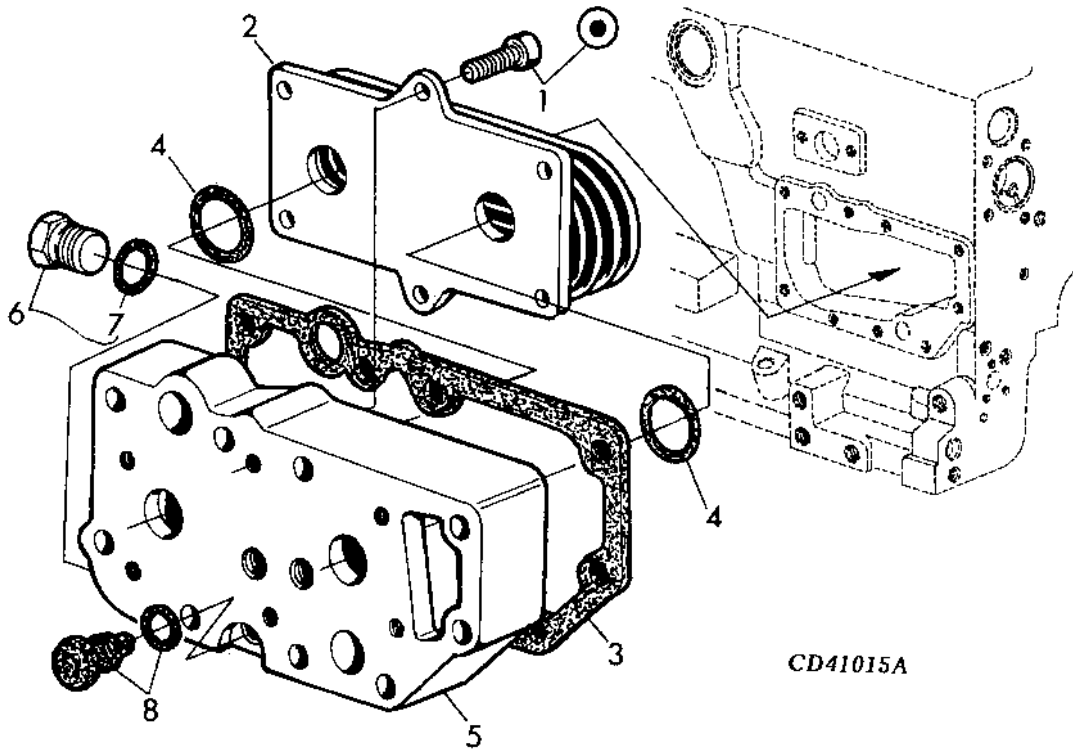
CD42749

# 1H15

OIL COOLER

CD41015A -UN-10JUN98

5901



KEY	PART NO.	PART NAME	QTY	ENGINE SERIAL NO.	REMARKS
				0	
				4	
				5	
				T	
				&	
				H	
1	RE67231	SCREW	6	X	WITH SEALANT
2	RE59296	OIL COOLER	1	X	5 PLATES
3	R123501	GASKET	1	X	
4	T122075	O-RING	2	X	29.820 X 2.616 MM
5	R123471	HOUSING	1	X	
6	RE46685	PLUG	1	X	M18 X 1.5
7	51M7043	O-RING	1	X	15.300 X 2.200 MM
8	RE500565	PIPE PLUG	1	X	M12 X 1.5

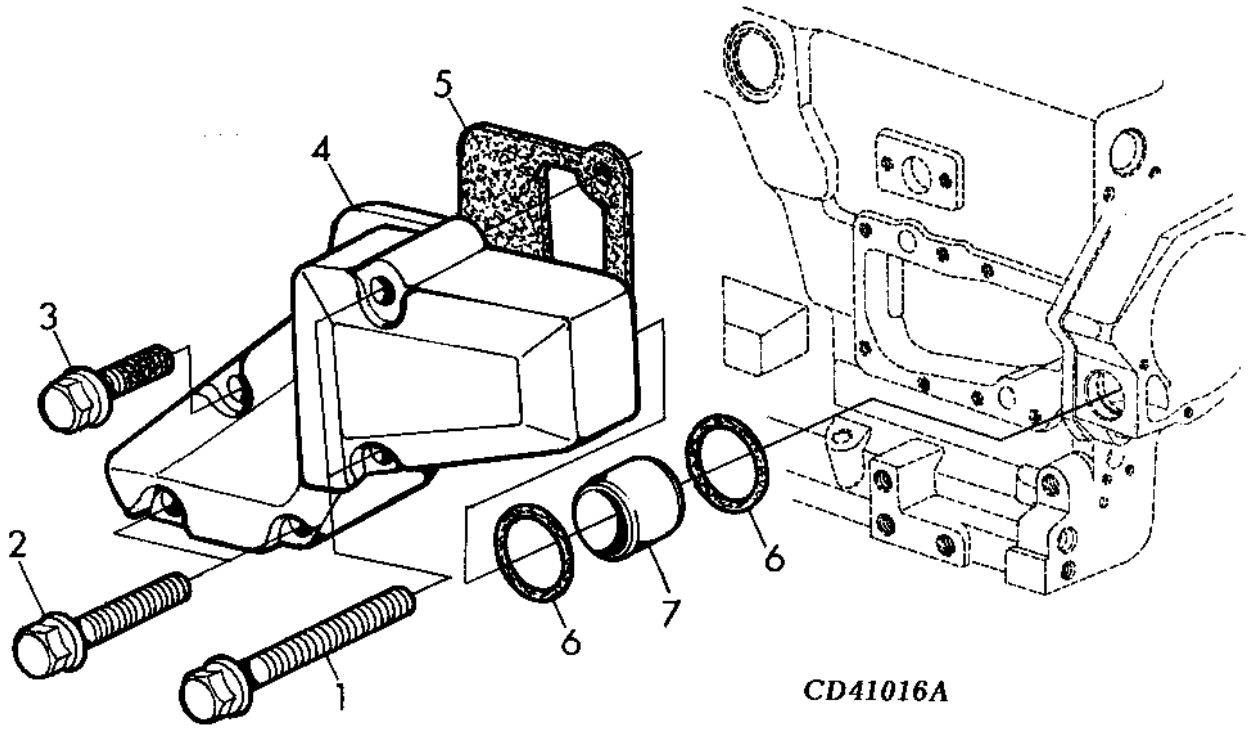


# 1H16

OIL COOLER

CD41016A -UN-17FEB97

5901 - CONTINUED



KEY	PART NO.	PART NAME	QTY	ENGINE SERIAL NO.	REMARKS
1	19M7970	SCREW	2		X M8 X 100, (10.9)
2	19M7802	SCREW	2		X M8 X 65, (10.9)
3	RE67238	SCREW	1		X WITH SEALANT
4	R135177	ADAPTER	1		X
5	R123502	GASKET	1		X
6	R61105	O-RING	2		X
7	R115252	TUBE	1		X

0  
4  
5  
T  
&  
H

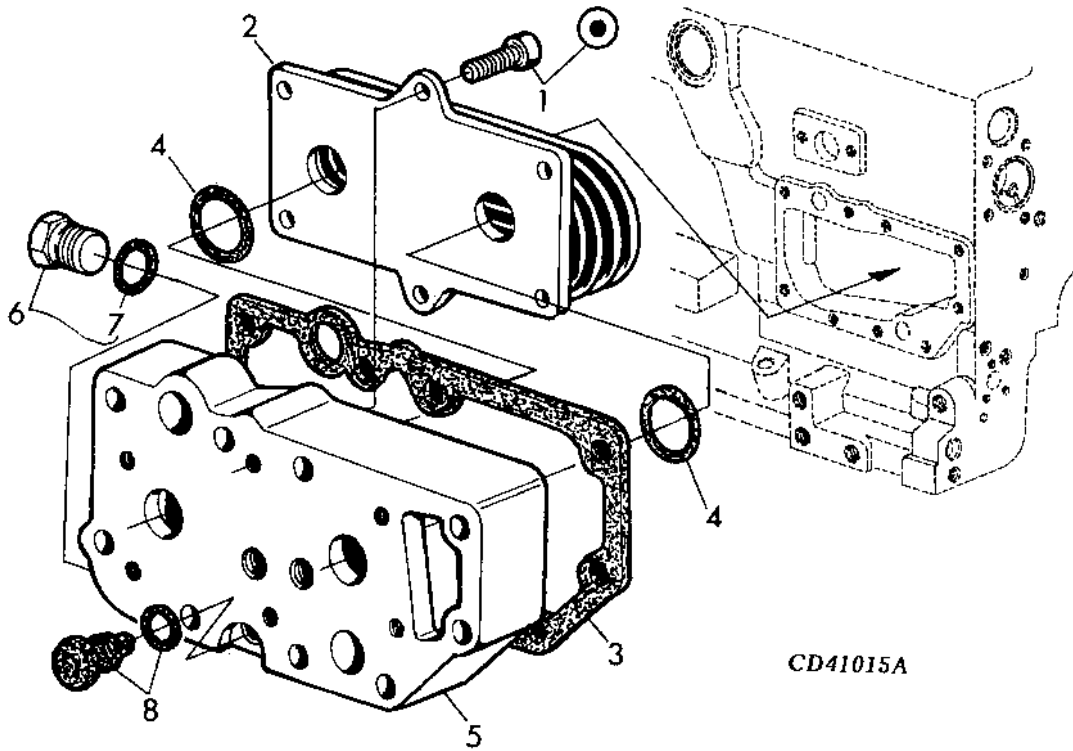
MEMORANDA

# 1H17

OIL COOLER

CD41015A -UN-10JUN98

5902



CD41015A

KEY	PART NO.	PART NAME	QTY	ENGINE SERIAL NO.	REMARKS
1	RE67231	SCREW	6		X WITH SEALANT
2	RE56690	OIL COOLER	1		X 5 PLATES
3	R123501	GASKET	1		X
4	T122075	O-RING	2		X 29.820 X 2.616 MM
5	R123471	HOUSING	1		X
6	RE46685	PLUG	1		X M18 X 1.5
7	51M7043	O-RING	1		X 15.300 X 2.200 MM
8	RE500565	PIPE PLUG	1		X M12 X 1.5

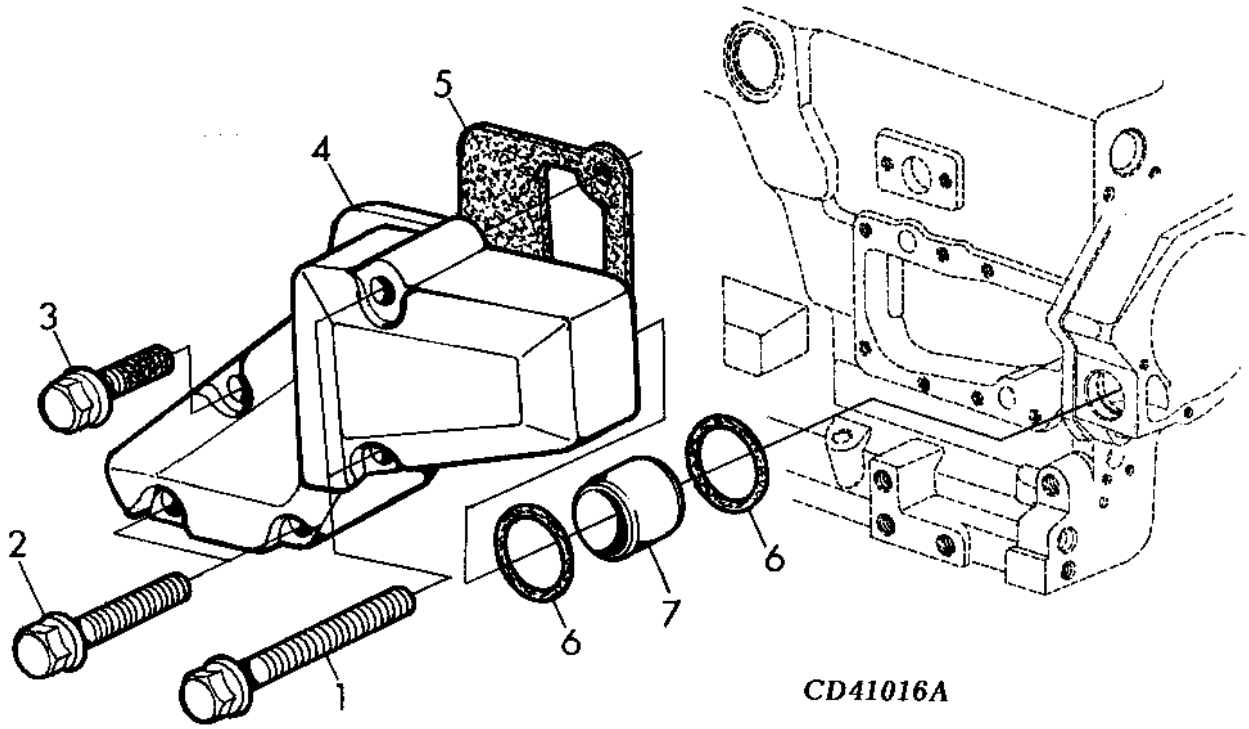
0  
6  
8  
T  
&  
H

# 1H18

OIL COOLER

CD41016A -UN-17FEB97

5902 - CONTINUED



KEY	PART NO.	PART NAME	QTY	ENGINE SERIAL NO.	REMARKS
1	19M7970	SCREW	2		X M8 X 100, (10.9)
2	19M7802	SCREW	2		X M8 X 65, (10.9)
3	RE67238	SCREW	1		X WITH SEALANT
4	R135177	ADAPTER	1		X
5	R123502	GASKET	1		X
6	R61105	O-RING	2		X 37.690 X 3.531 MM
7	R115252	TUBE	1		X

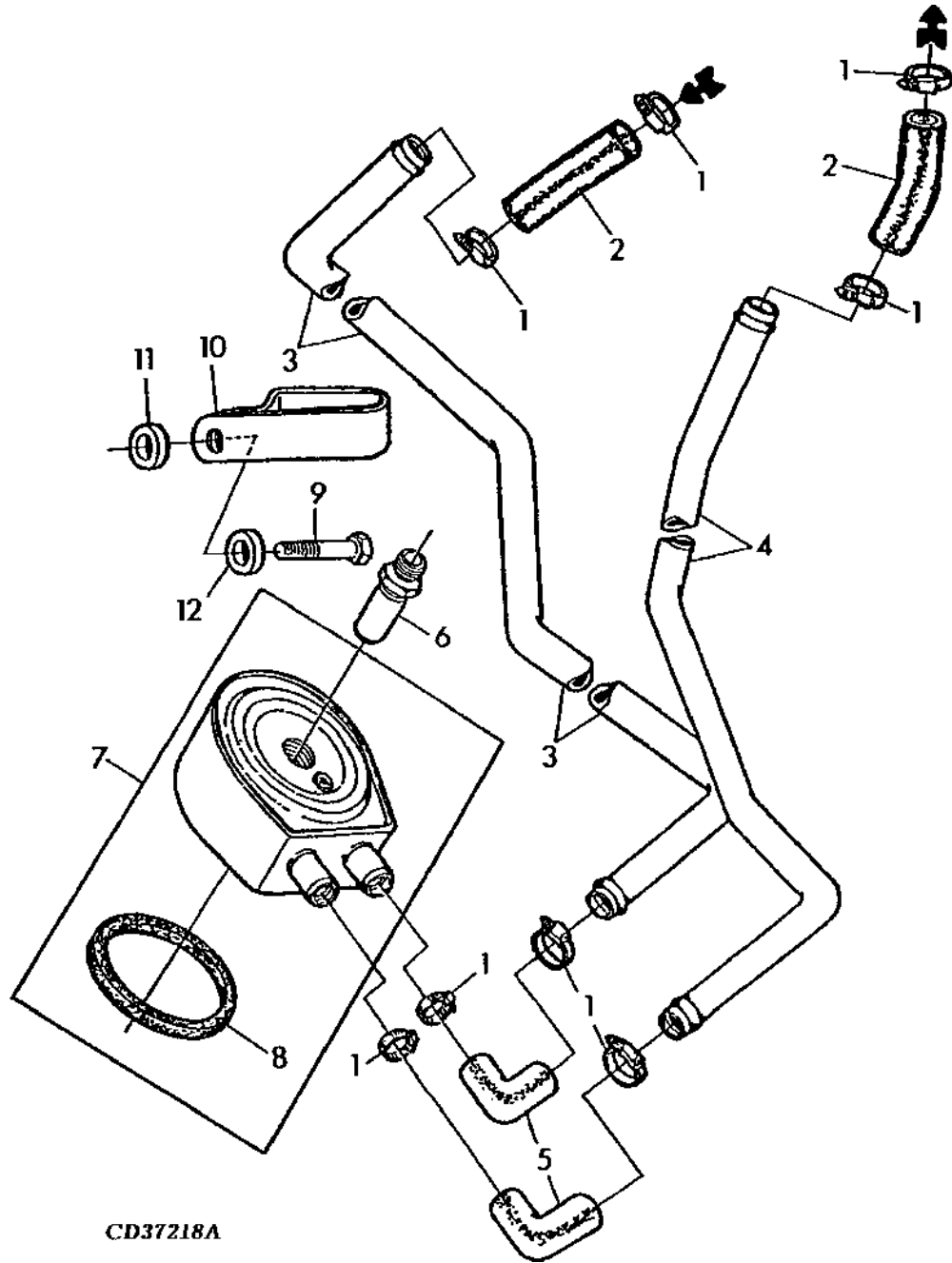
0  
6  
8  
T  
&  
H

# 1H19

OIL COOLER

CD37218A -UN-17AUG95

5906



CD37218A

# 1H20

OIL COOLER

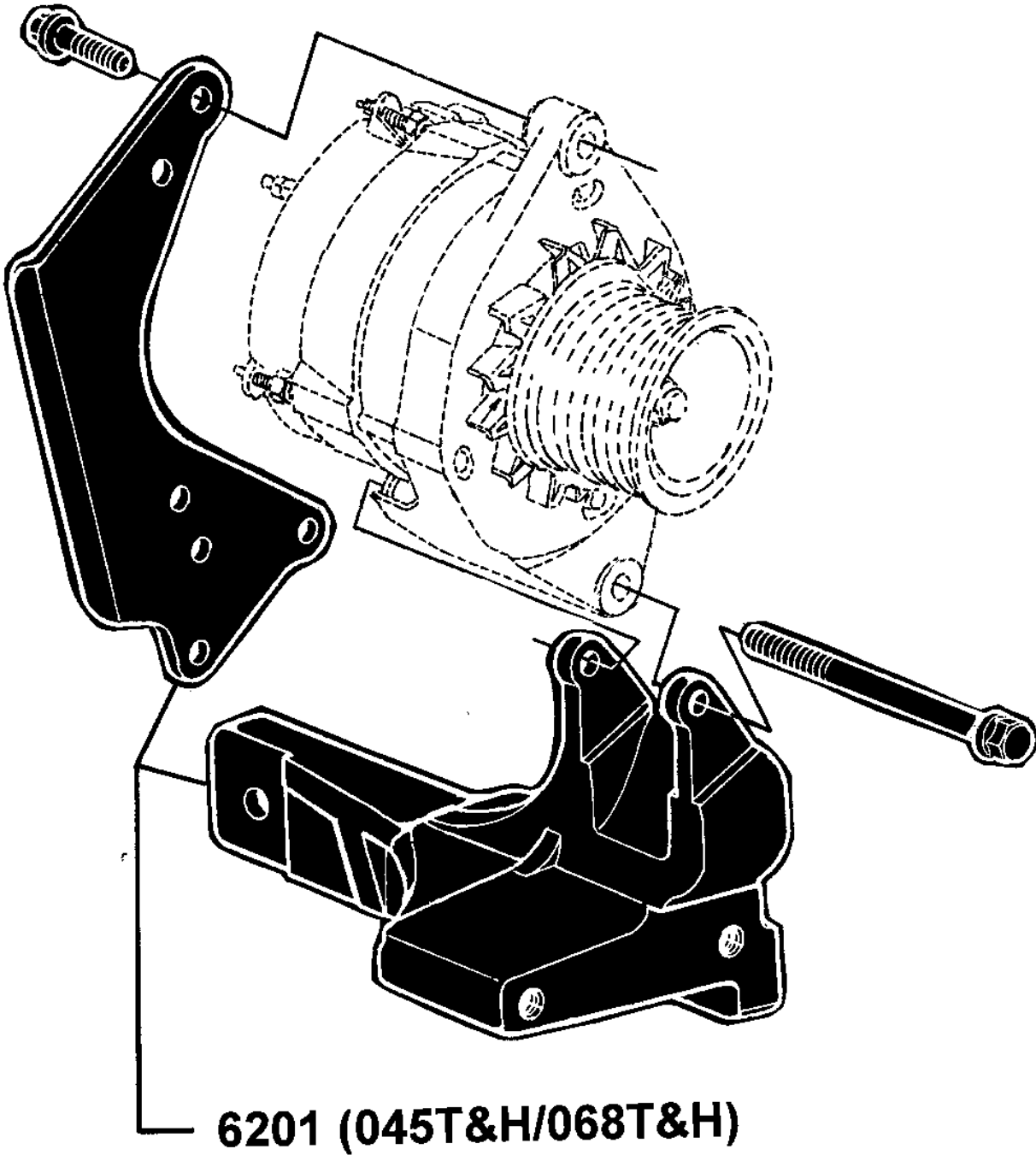
## 5906 - CONTINUED

KEY	PART NO.	PART NAME	QTY	ENGINE SERIAL NO.	0 3 9 D & T	REMARKS
1	AR21837	CLAMP	8		X	
2	R83063	HOSE	2		X	LGTH 2370MM, CUT TO LENGTH
3	R99259	LINE	1		X	OD 16MM
4	R99258	LINE	1		X	OD 16MM
5	R99254	HOSE	2		X	
6	R125507	THREADED NIPPLE	1		X	13/16"-16UN X LGTH 54MM
7	RE61767	OIL COOLER	1		X	
8	R125508	PACKING	1		X	67MM X 74.4MM X 3.6MM
9	19H2733	CAP SCREW	1		X	3/8" X 2-3/8", (SAE 8)
10	R53524	CLAMP	1		X	
11	R99257	WASHER	1		X	10 X 20 X 5 MM
12	24M7106	WASHER	1		X	10 X 18 X 2.500 MM

MEMORANDA

SECTIONAL INDEX  
CD42750 -UN-11FEB99

6201 -	114
6201 -	115
6218 -	116
6218 -	117



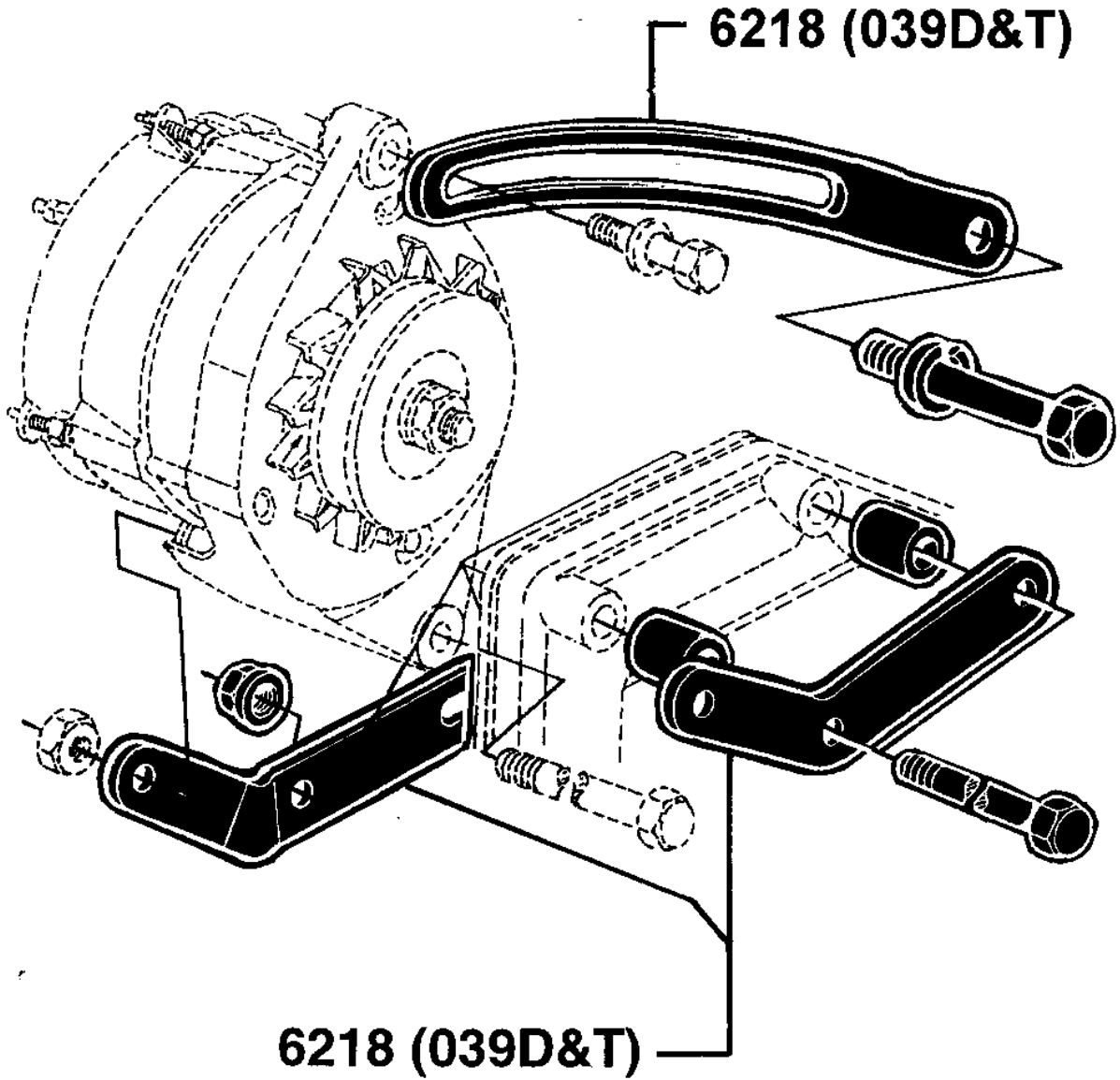
CD42750



SECTIONAL INDEX

CD42751 -UN-11FEB99

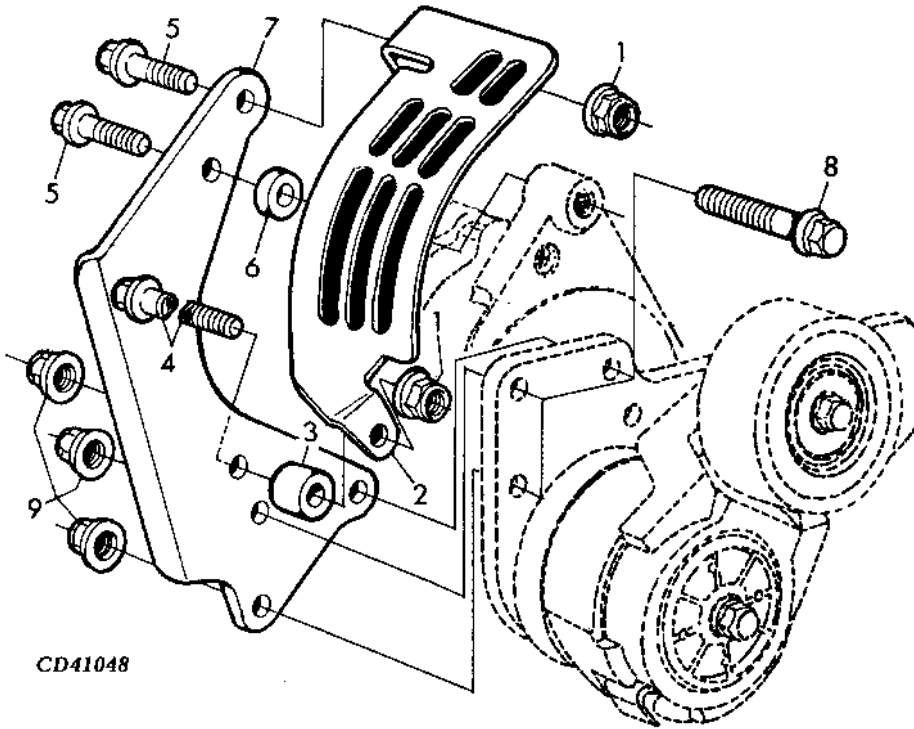
6201 -	114
6201 -	115
6218 -	116
6218 -	117



CD42751

CD41048 -UN-04JUL96

6201

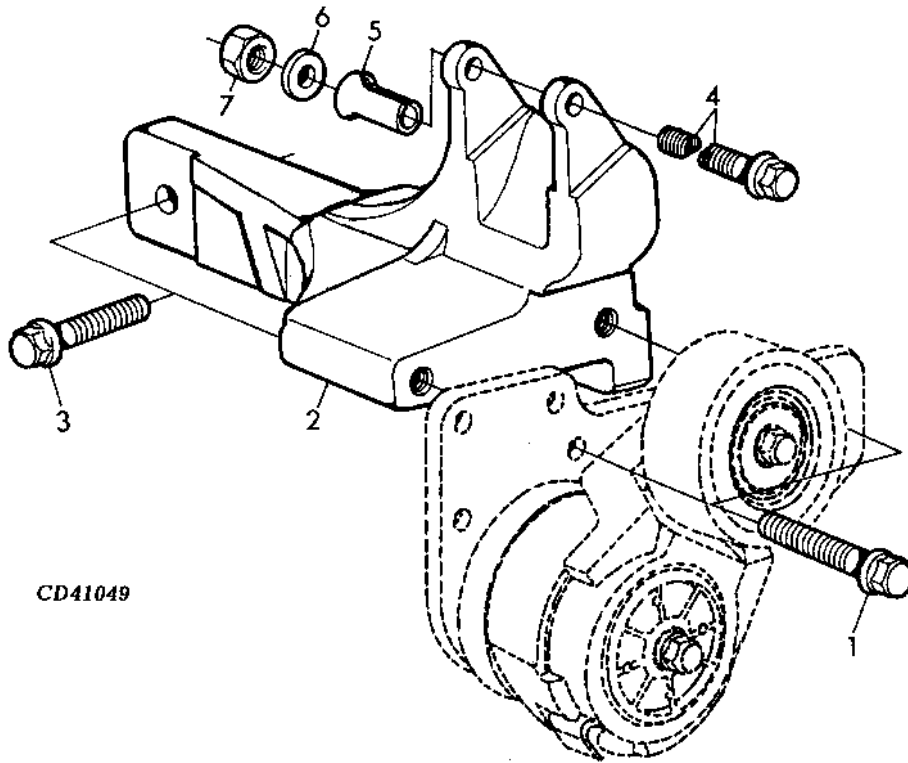


CD41048

KEY	PART NO.	PART NAME	QTY	ENGINE SERIAL NO.	REMARKS
				0 0	
				4 6	
				5 8	
				T T	
				& &	
				H H	
1	.....	FLANGE NUT	NA	X X	
2	.....	SHIELD	NA	X X	
3	.....	WASHER	NA	X X	
4	.....	SCREW	NA	X X	
5	.....	SCREW	NA	X X	
6	.....	WASHER	NA	X X	
7	R132167	STRAP	1	X X	
8	19M7786	SCREW	3	X X	M10 X 30, (10.9)
9	14M7296	FLANGE NUT	3	X X	M10

CD41049 -UN-04JUL96

6201 - CONTINUED



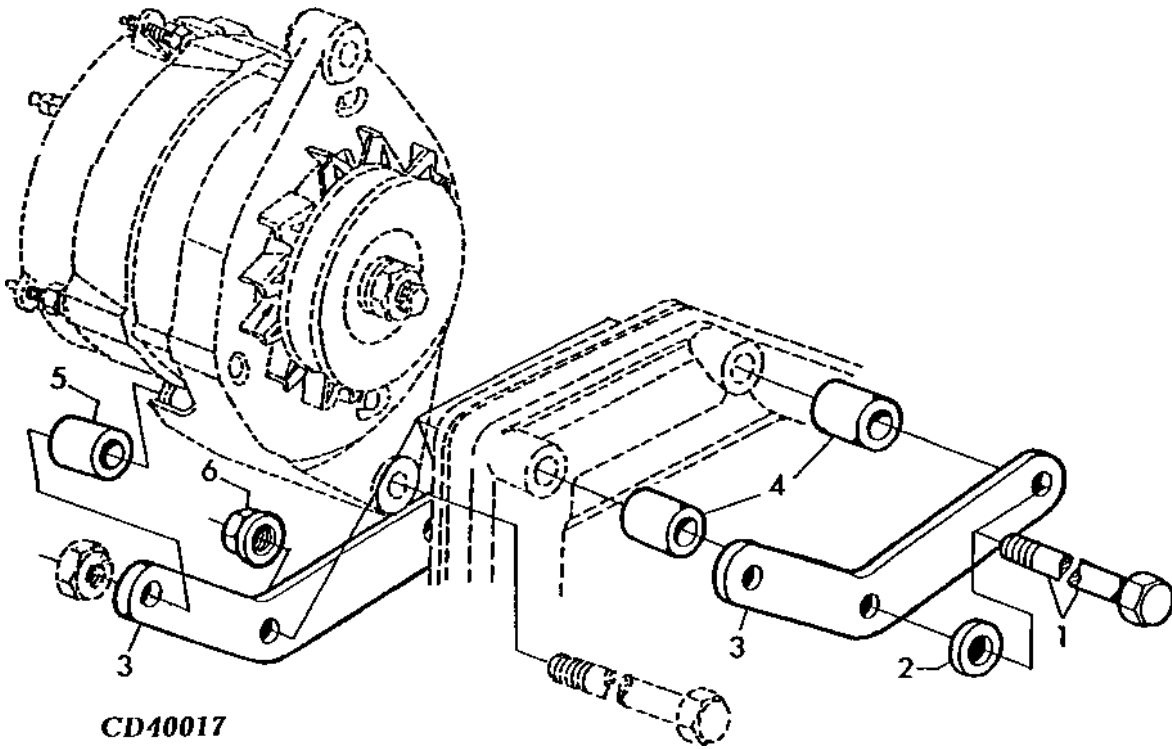
CD41049

KEY	PART NO.	PART NAME	QTY	ENGINE SERIAL NO.	REMARKS
				0 0	
				4 6	
				5 8	
				T T	
				& &	
				H H	
1	19M7785	SCREW	2	X X	M10 X 25, (10.9)
2	R132166	BRACKET	1	X X	
3	19M7786	SCREW	2	X X	M10 X 30, (10.9)
4	19M7812	SCREW	1	X X	M10 X 100, (10.9)
5	R100377	BUSHING	1	X X	
6	R64525	THRUST WASHER	1	X X	10.312 X 17.475 X 0.914 MM
7	14M7296	FLANGE NUT	1	X X	M10

MEMORANDA

CD40017 -UN-20JUL95

6218

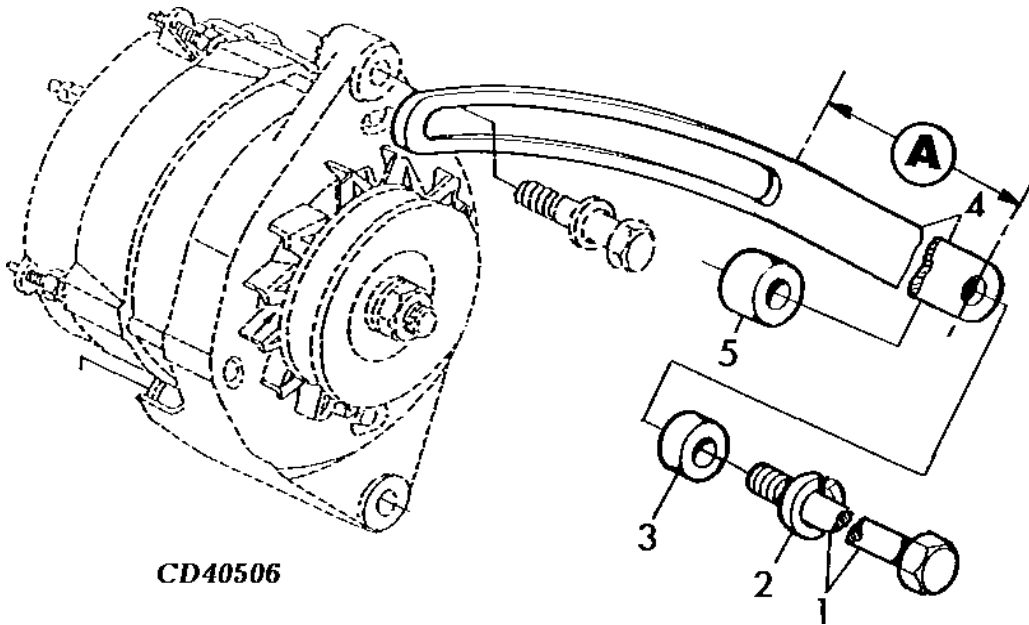


**CD40017**

KEY	PART NO.	PART NAME	QTY	ENGINE SERIAL NO.	0 3 9 D & T	REMARKS
1	19H1912	CAP SCREW	2		X	3/8" X 3-1/2"
2	.....	WASHER	NA		X	
3	R126389	BRACKET	2		X	
4	R64449	BUSHING	2		X	TK 25.4MM
5	T20280	WASHER	1		X	TK 9MM
6	N10215	LOCK NUT	2		X	3/8"

CD40506 -UN-17FEB95

6218 - CONTINUED



CD40506

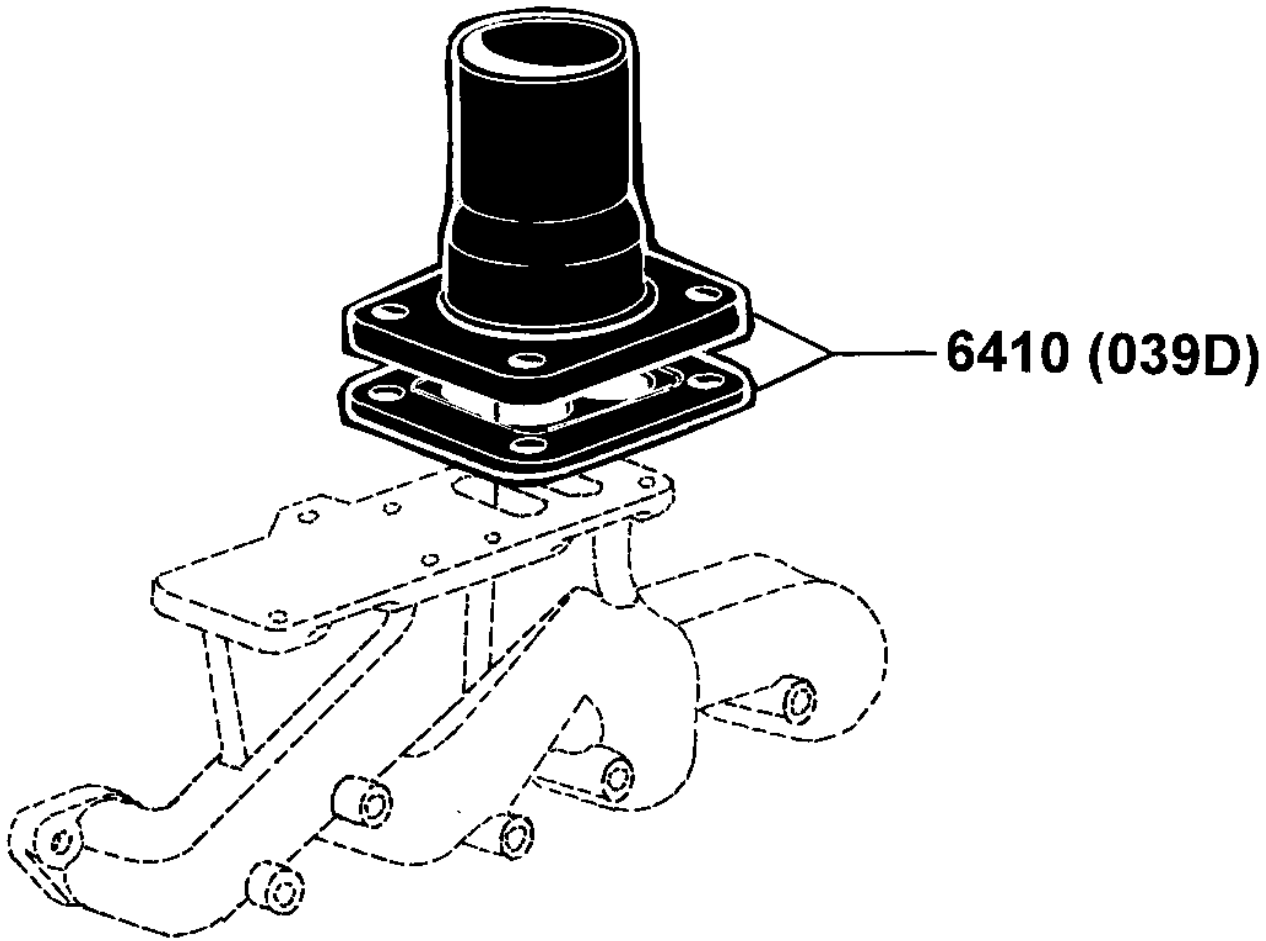
KEY	PART NO.	PART NAME	QTY	ENGINE SERIAL NO.	0 3 9 D & T	REMARKS
1	19H3065	CAP SCREW	1		X	3/8" X 2", (SAE 8)
2	12H304	LOCK WASHER	1		X	3/8"
3	.....	WASHER	NA		X	
4	T32853	STRAP	1		X	A = 104MM
5	28H1517	WASHER	1		X	0.493" X 0.675" X 1/4"

MEMORANDA

SECTIONAL INDEX

CD42752 -UN-11FEB99

6410 -	1111
6411 -	1112
6412 -	1113
6413 -	1114



CD42752

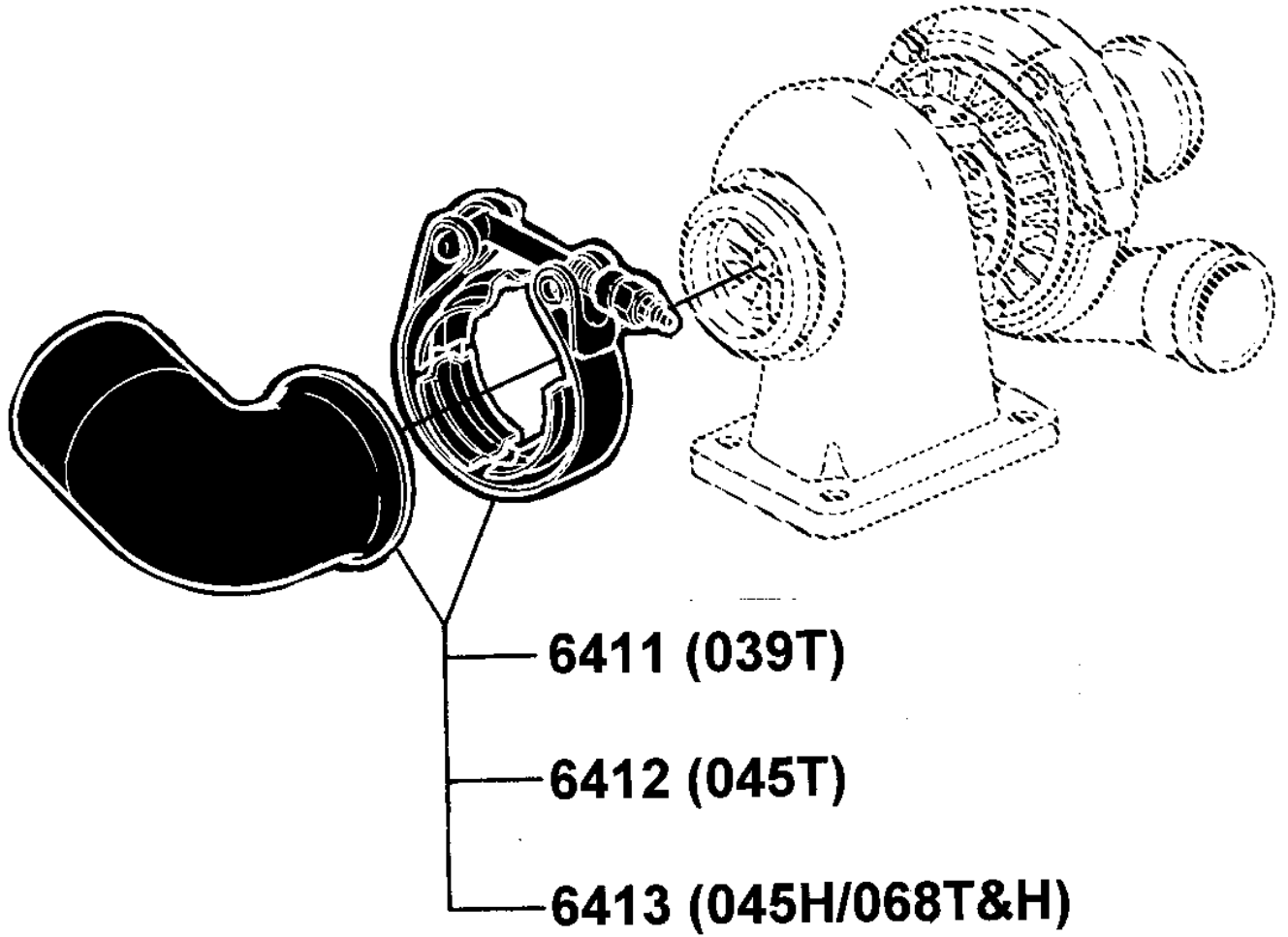


# 1110

SECTIONAL INDEX

CD42753 -UN-11FEB99

6410 -	1111
6411 -	1112
6412 -	1113
6413 -	1114



CD42753

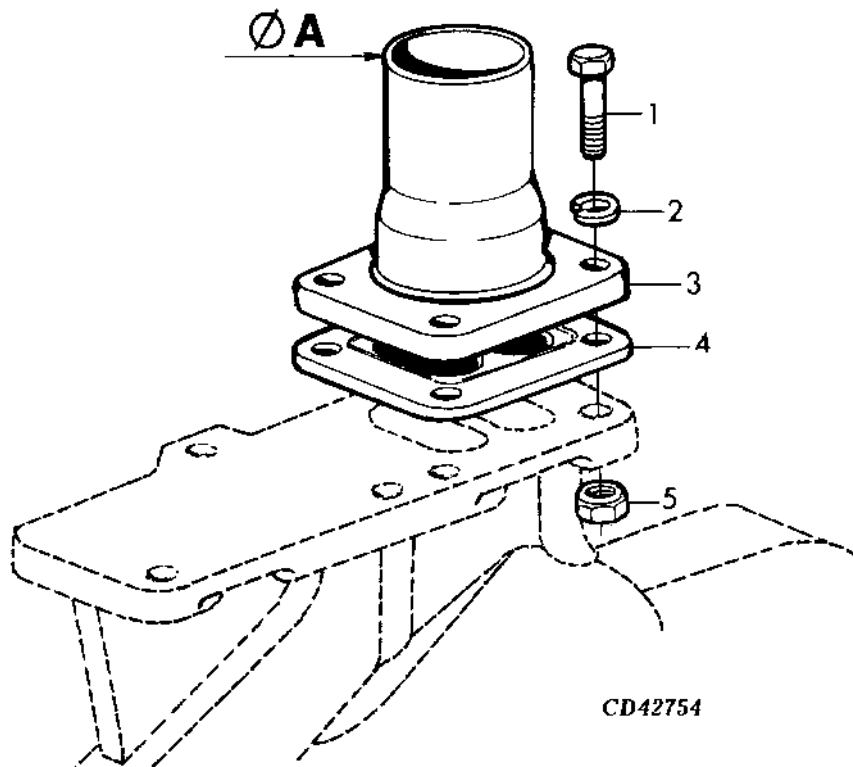
MEMORANDA

# 1111

EXHAUST ADAPTER

CD42754 -UN-15FEB99

6410



CD42754

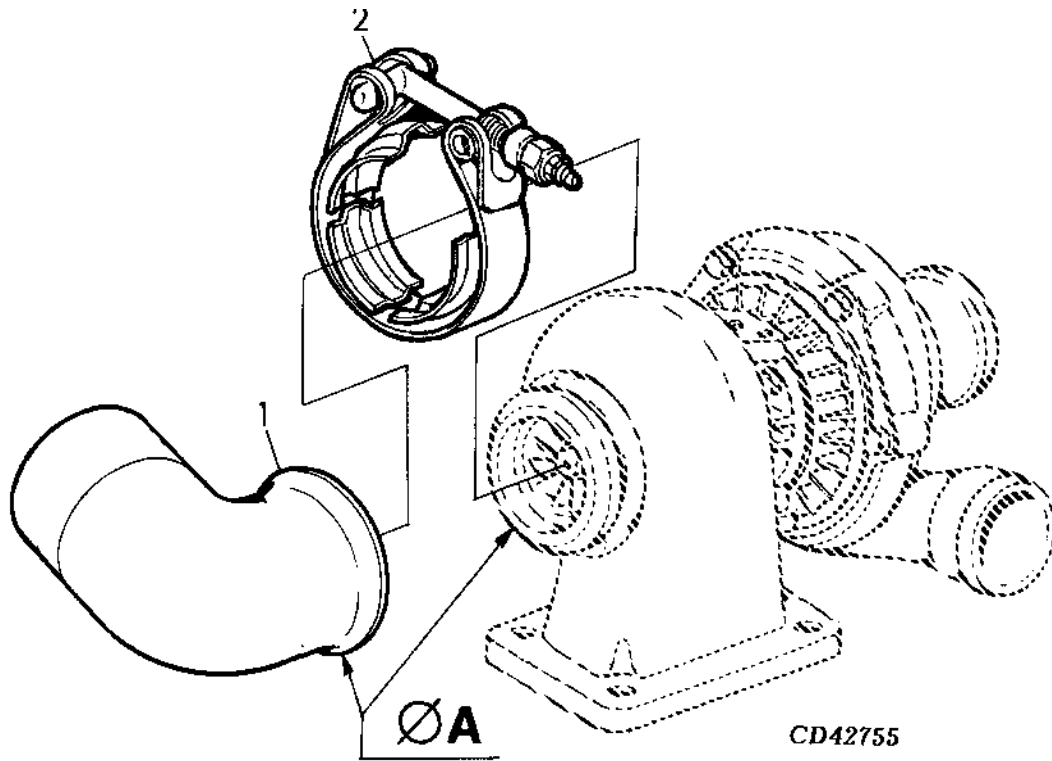
KEY	PART NO.	PART NAME	QTY	ENGINE SERIAL NO.	D	REMARKS
1	19H1732	CAP SCREW	4		X	3/8" X 1-1/4"
2	12H304	LOCK WASHER	4		X	3/8"
3	RE503300	ADAPTER	1		X	A = 60MM
4	R123572	GASKET	1		X	
5	14H1076	NUT	4		X	3/8"

# 1112

EXHAUST ADAPTER

CD42755 -UN-15FEB99

6411



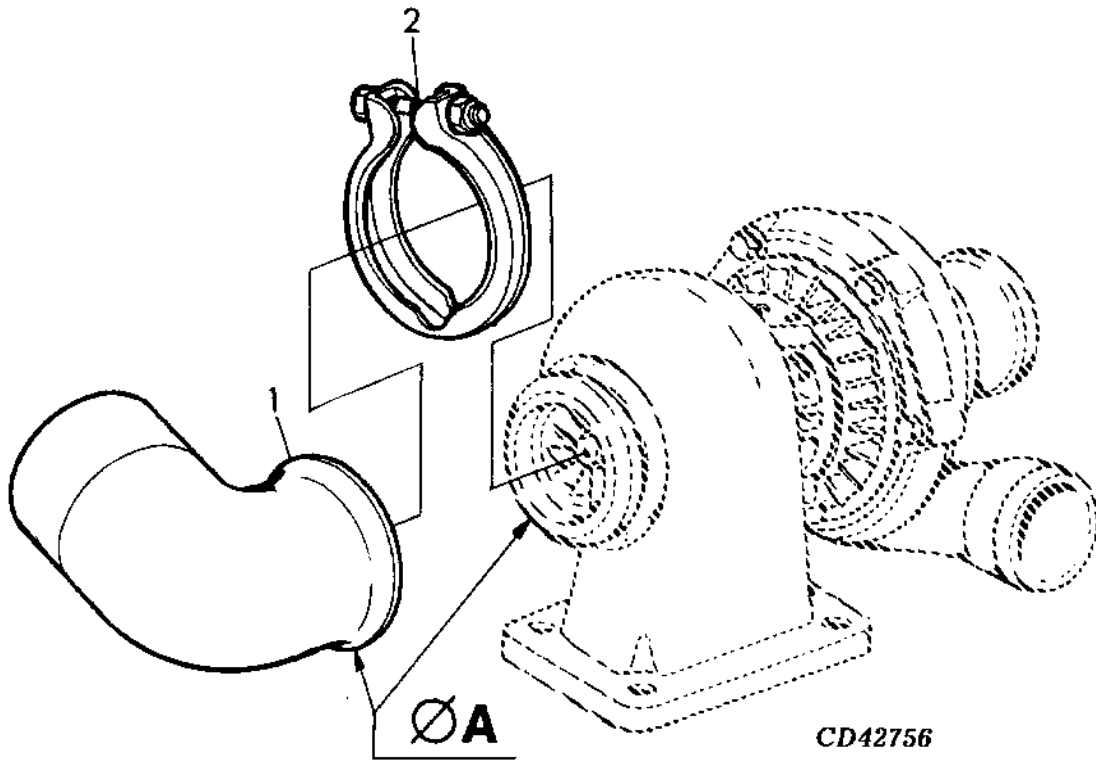
KEY	PART NO.	PART NAME	QTY	ENGINE SERIAL NO.	0 3 9 T	REMARKS
1	R502007	ADAPTER	1		X	A = 88MM
2	RE503927	CLAMP	1		X	

# 1113

EXHAUST ADAPTER

CD42756 -UN-15FEB99

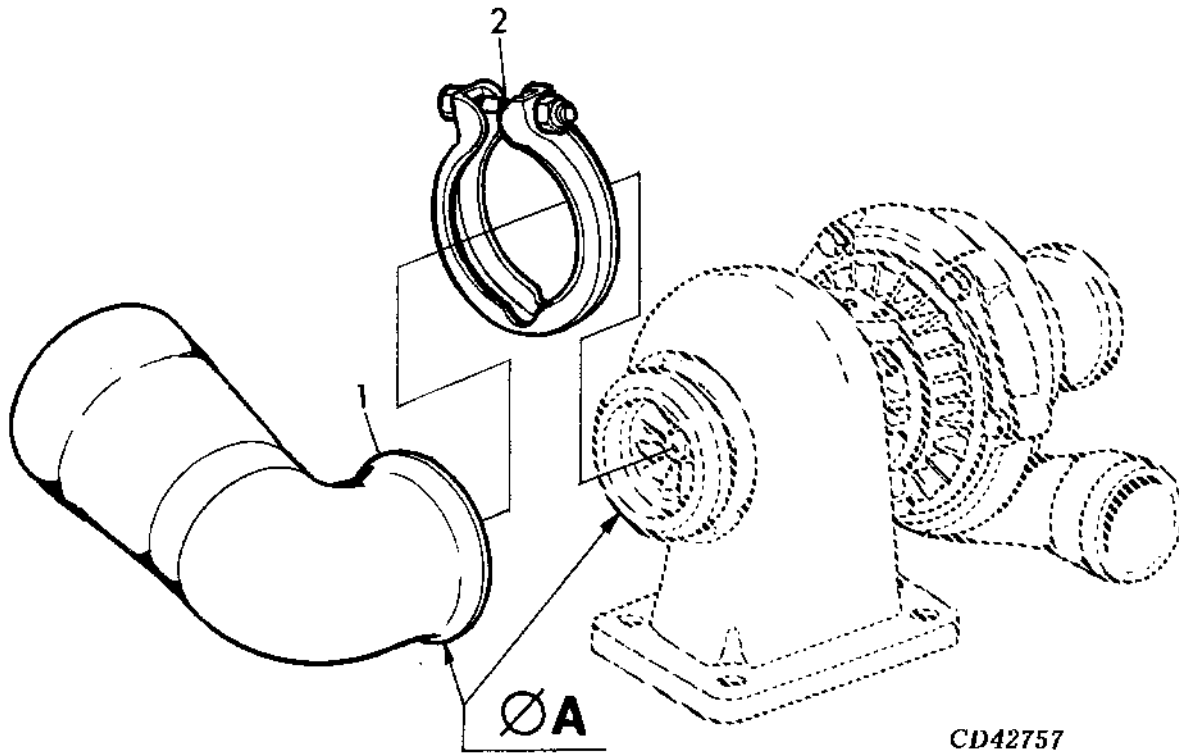
6412



KEY	PART NO.	PART NAME	QTY	ENGINE SERIAL NO.	REMARKS
1	R502008	ADAPTER	1	0	X A = 107MM
2	RE62310	CLAMP	1	4 5 T	

CD42757 -UN-15FEB99

6413

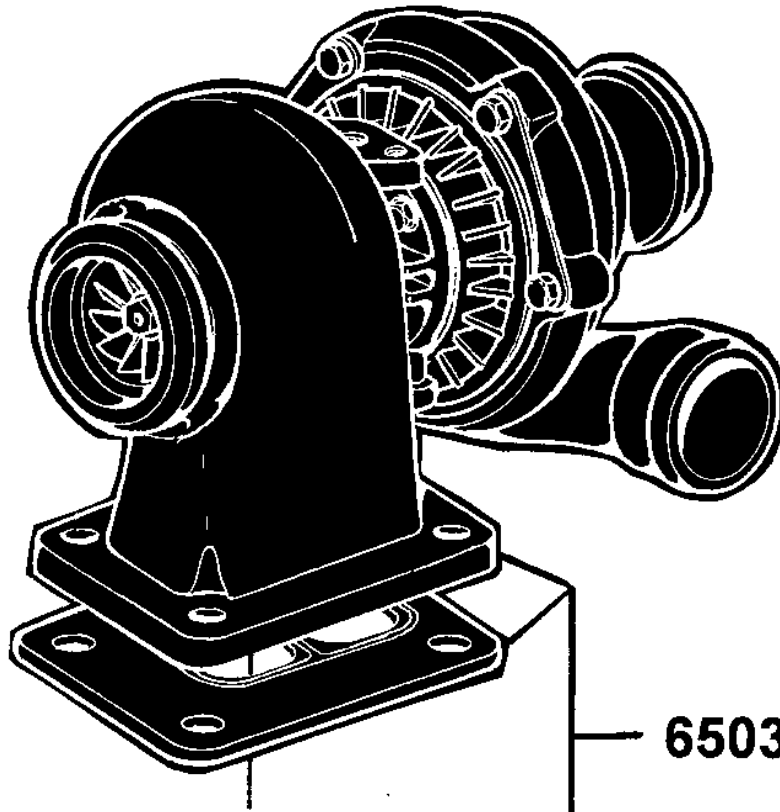


KEY	PART NO.	PART NAME	QTY	ENGINE SERIAL NO.	REMARKS
1	R502009	ADAPTER	1	0 0 0 4 6 6 5 8 8 H T H	A = 107MM
2	RE62310	CLAMP	1	X X X X X X	

SECTIONAL INDEX

CD42758 -UN-11FEB99

6503 -	1117
6503 -	1118
6576 -	1119
6577 -	1121
6577 -	1122
6578 -	1123
6578 -	1124
6579 -	1125
6579 -	1J1



- 6503 (045H)
- 6576 (039T)
- 6577 (045T)
- 6578 (068T)
- 6579 (068H)

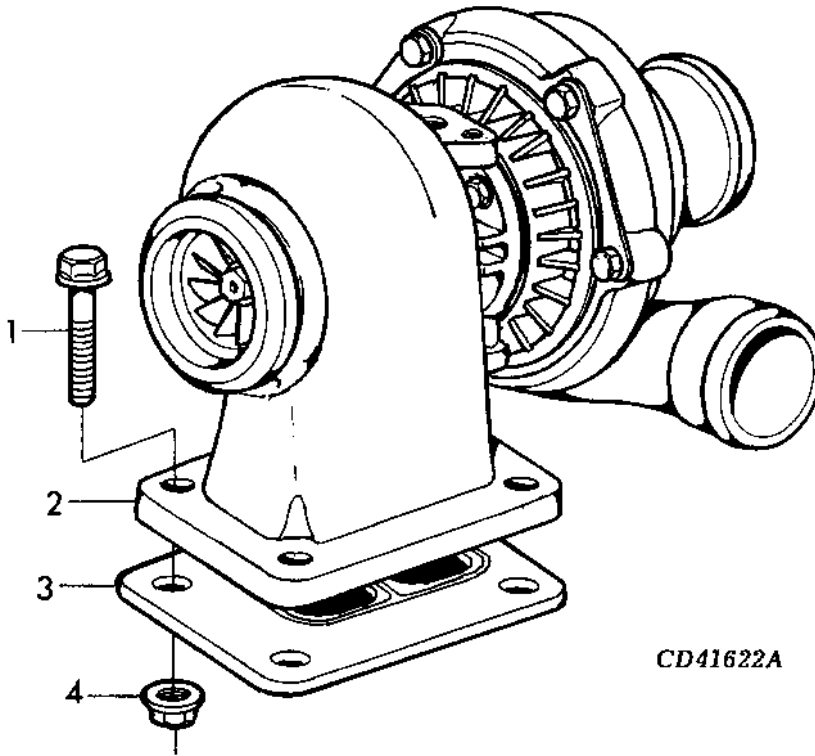
CD42758

# 1117

TURBOCHARGER

CD41622A -UN-25NOV97

6503



CD41622A

KEY	PART NO.	PART NAME	QTY	ENGINE SERIAL NO.	REMARKS
1	19M7785	SCREW	4		X M10 X 25, (10.9)
2	RE60046	TURBOCHARGER	1		X
3	R123572	GASKET	1		X
4	.....	FLANGE NUT	NA		

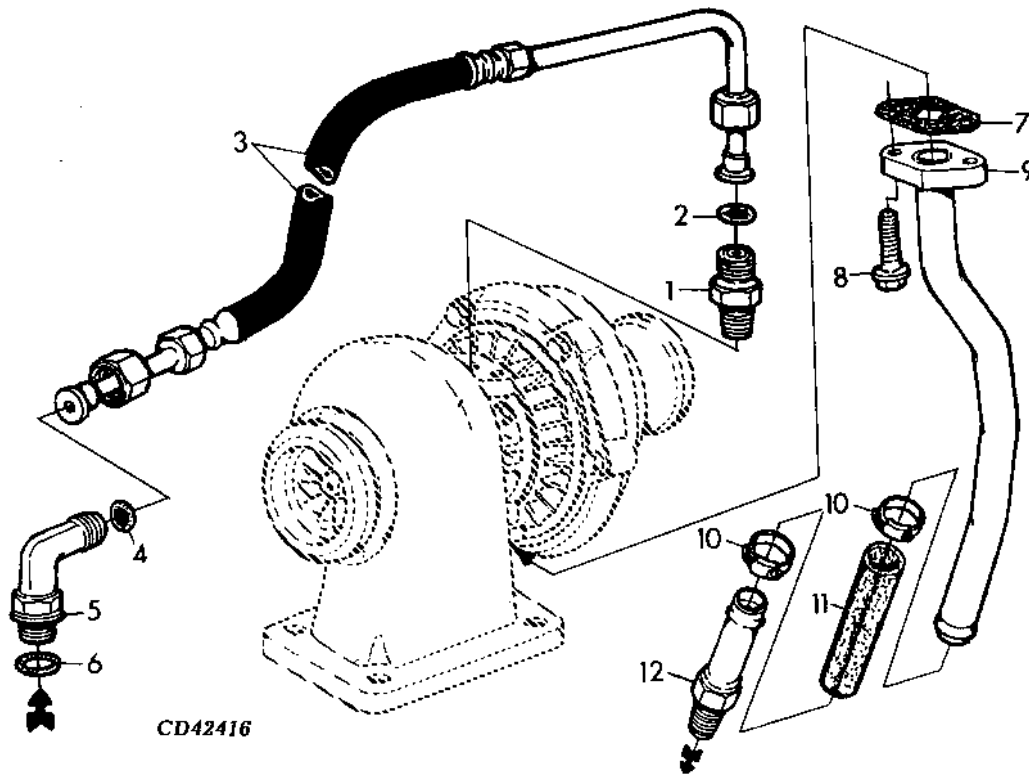


# 1118

TURBOCHARGER

CD42416 -UN-04MAR98

6503 - CONTINUED



KEY	PART NO.	PART NAME	QTY	ENGINE SERIAL NO.	REMARKS
1	M87733	ADAPTER	1	X	1/4"-18NPT X 11/16"-16UN, (ALSO ORDER R63548)
2	R63548	O-RING	1	X	9.250 X 1.780 MM
3	RE59922	HOSE	1	X	
4	T77613	O-RING	1	X	9.246 X 1.778 MM
5	38H5035	ELBOW FITTING	1	X	90°, M16 X 1.5 X11/16"-16UN
6	51M7042	O-RING	1	X	13.300 X 2.200 MM
7	R123570	GASKET	1	X	
8	19M7866	SCREW	2	X	M8 X 20, (10.9)
9	RE59547	OIL LINE	1	X	
10	RE65978	CLAMP	2	X	
11	R104536	BULK HOSE	1	X	ID X LGTH 19MM X 2000MM, CUT TO LENGTH
12	RE54885	HOSE FITTING	1	X	1/2"-14NPTF X LGTH 48MM

MEMORANDA

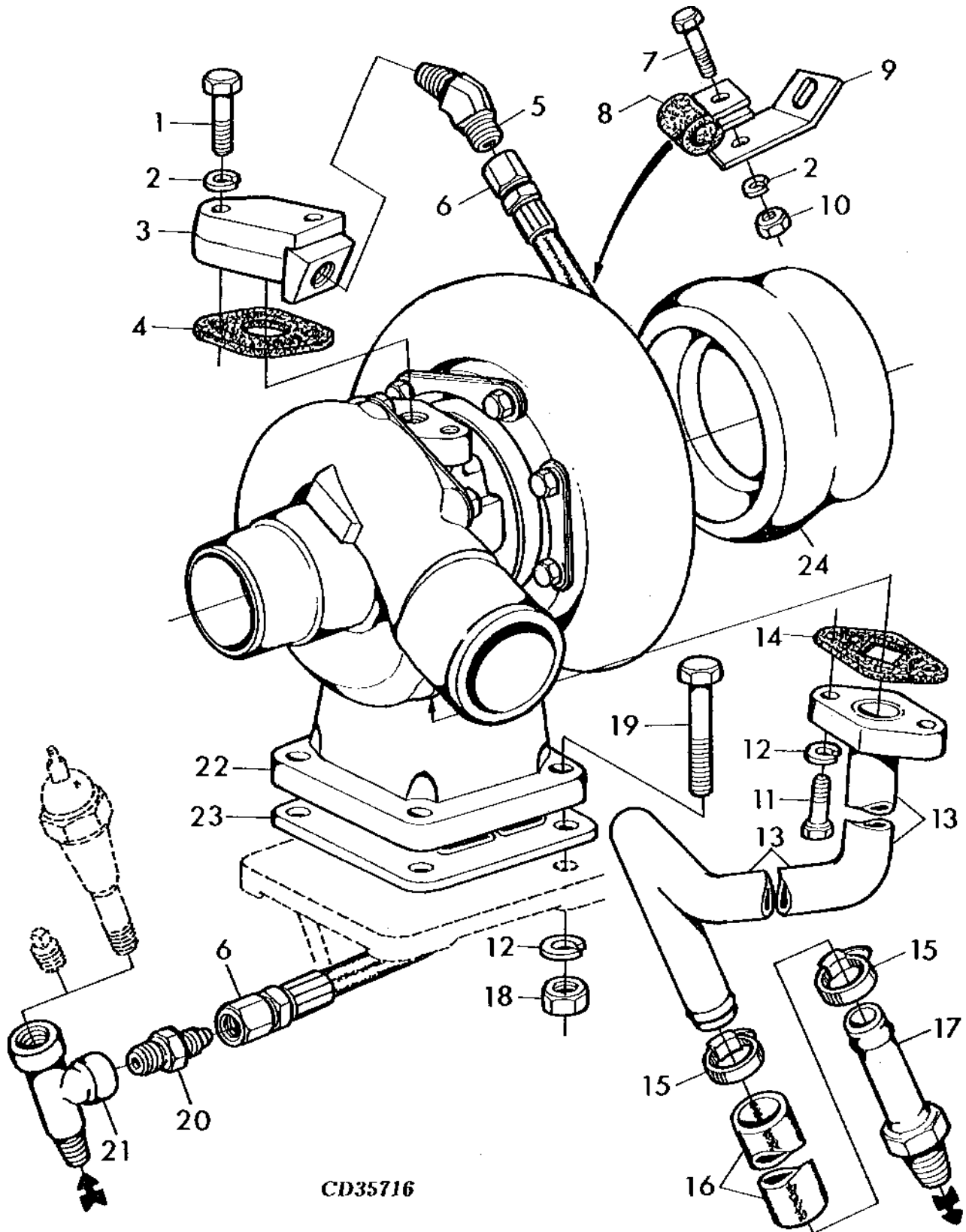
# 1119

TURBOCHARGER

CD35716

-UN-01JAN94

6576



CD35716

# 1120

TURBOCHARGER

KEY	PART NO.	PART NAME	QTY	ENGINE SERIAL NO.	0	REMARKS
					T	
1	19H1901	CAP SCREW	2		X	5/16" X 2"
2	12M7056	LOCK WASHER	1		X	8.100 MM
3	T30199	ADAPTER	1		X	
4	R97348	GASKET	1		X	
5	M43551	ELBOW FITTING	1		X	1/8"-27NPTF X 1/2"-20UNF
6	RE23181	HYDRAULIC HOSE	1		X	
7	19H1813	CAP SCREW	1		X	5/16" X 5/8"
8	R46414	CLAMP	1		X	
9	R92179	STRAP	1		X	
10	14H785	NUT	1		X	5/16"
11	19H1648	CAP SCREW	2		X	3/8" X 3/4", (SAE 8)
12	12H304	LOCK WASHER	6		X	3/8"
13	RE25335	OIL LINE	1		X	
14	R105346	GASKET	1		X	
15	AT18904	CLAMP	2		X	
16	R104536	HOSE	1		X	ID X LGTH 19MM X 2000MM, CUT TO LENGTH
17	RE54885	HOSE FITTING	1		X	1/2"-14NPTF X LGTH 48MM
18	14H1076	NUT	4		X	3/8"
19	19H3267	CAP SCREW	4		X	3/8" X 1-5/8", (SAE 8)
20	R27346	FITTING	1		X	1/8"-27NPTF X 1/2"-20UNF
21	T19158	TEE FITTING	1		X	1/8"-27NPTF
22	RE503100	TURBOCHARGER	1	-XXXXXX	X	(ORDER RE503722 AND R123572)
	RE503722	TURBOCHARGER	1	XXXXXX-	X	
23	R123572	GASKET	1		X	
24	.....	ADAPTER	NA		X	

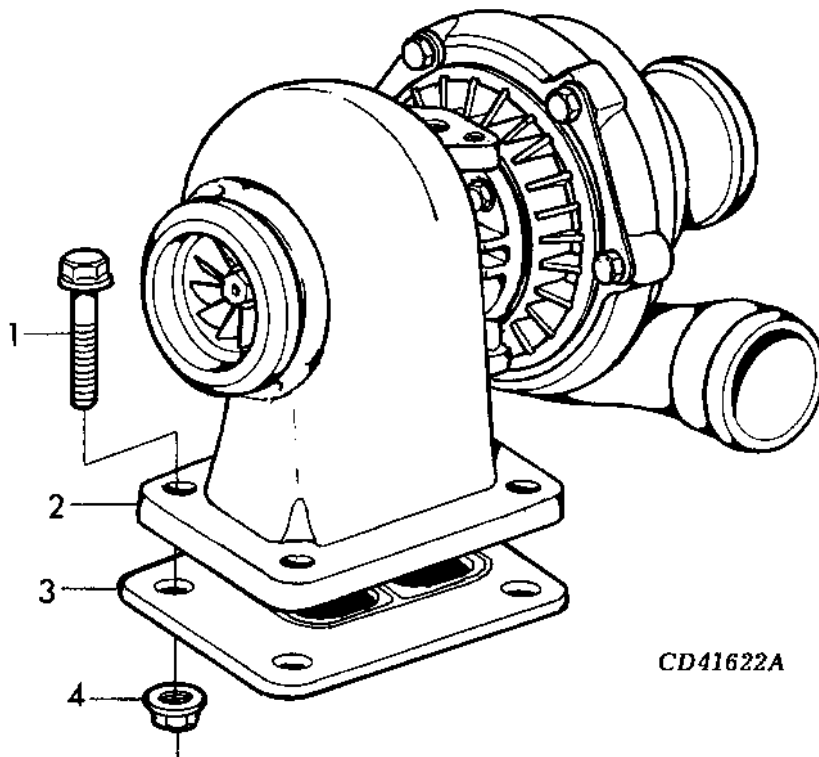
MEMORANDA

# 1121

TURBOCHARGER

CD41622A -UN-25NOV97

6577

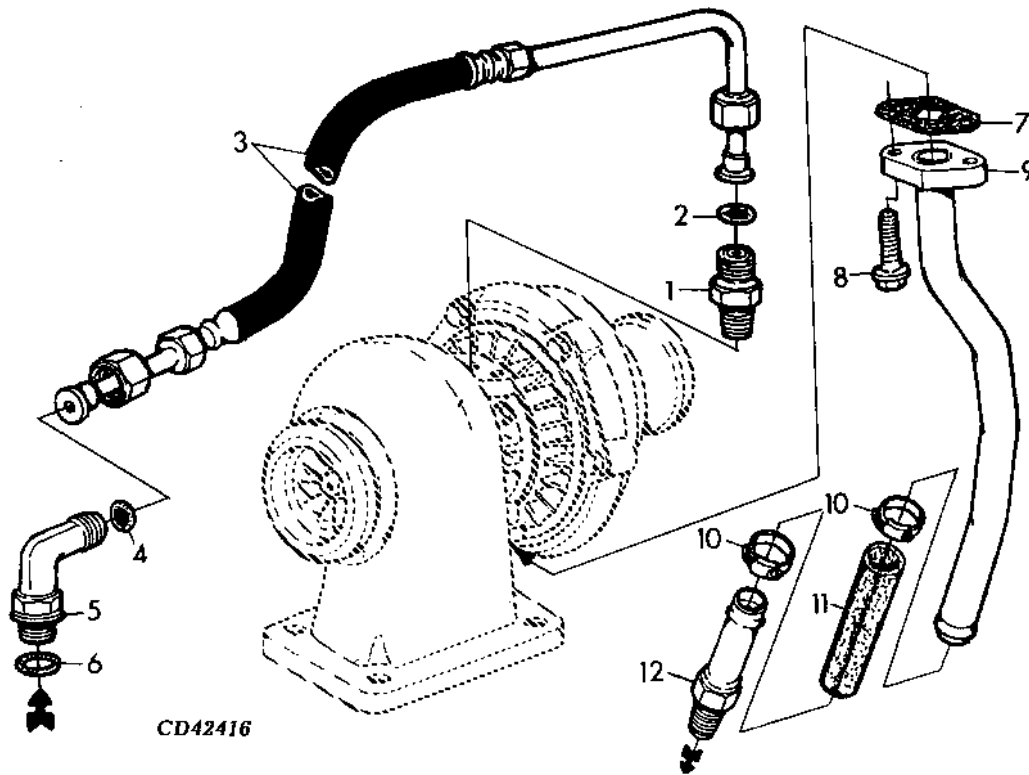


CD41622A

KEY	PART NO.	PART NAME	QTY	ENGINE SERIAL NO.	REMARKS
				0	
				4	
				5	
				T	
1	19M7785	SCREW	4	X	M10 X 25, (10.9)
2	RE503097	TURBOCHARGER	1	X	
3	R123572	GASKET	1	X	
4	.....	FLANGE NUT	NA		

CD42416 -UN-04MAR98

6577 - CONTINUED



KEY	PART NO.	PART NAME	QTY	ENGINE SERIAL NO.	REMARKS
1	M87733	ADAPTER	1	X	1/4"-18NPT X 11/16"-16UN, (ALSO ORDER R63548)
2	R63548	O-RING	1	X	9.250 X 1.780 MM
3	RE59922	HOSE	1	X	
4	T77613	O-RING	1	X	9.246 X 1.778 MM
5	38H5035	ELBOW FITTING	1	X	90°, M16 X 1.5 X 11/16"-16UN
6	51M7042	O-RING	1	X	13.300 X 2.200 MM
7	R123570	GASKET	1	X	
8	19M7866	SCREW	2	X	M8 X 20, (10.9)
9	RE59547	OIL LINE	1	X	
10	RE65978	CLAMP	2	X	
11	R104536	BULK HOSE	1	X	ID X LGTH 19MM X 2000MM, CUT TO LENGTH
12	RE54885	HOSE FITTING	1	X	1/2"-14NPTF X LGTH 48MM

MEMORANDA

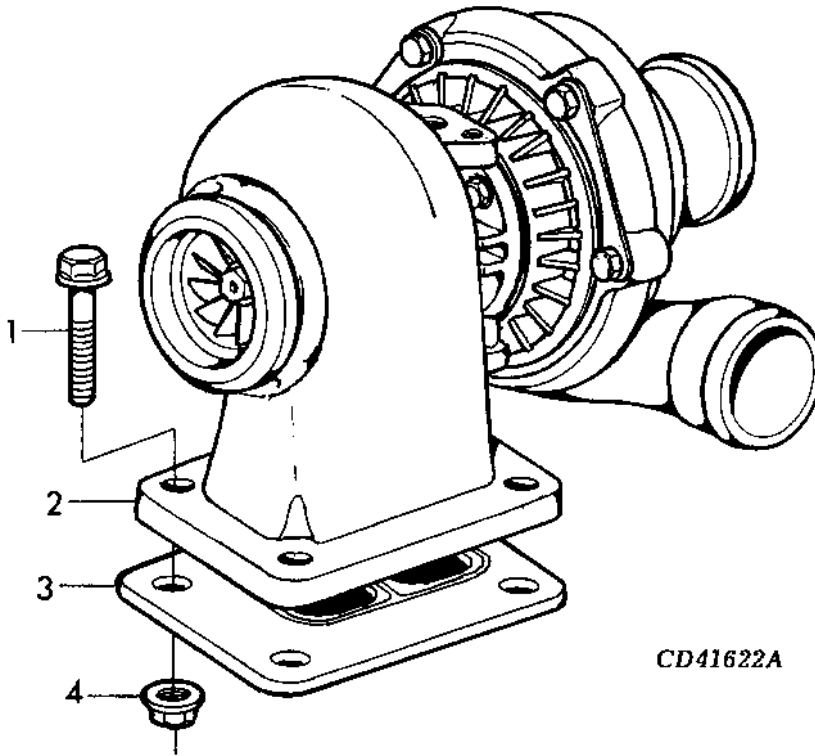


# 1123

TURBOCHARGER

CD41622A -UN-25NOV97

6578

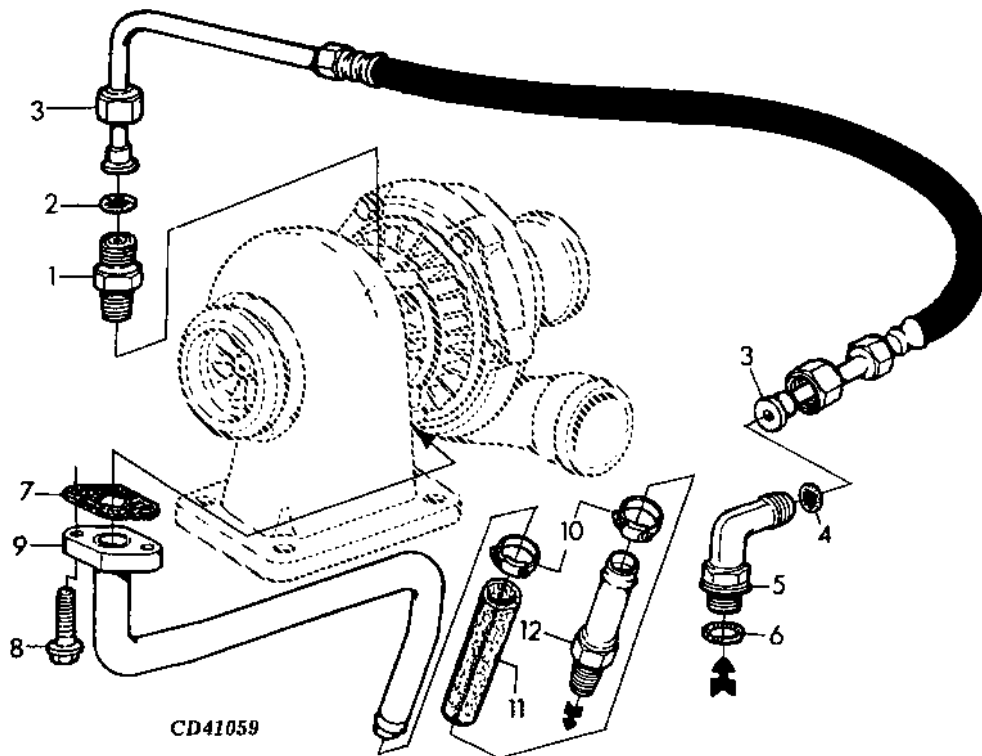


CD41622A

KEY	PART NO.	PART NAME	QTY	ENGINE SERIAL NO.	REMARKS
				0	
				6	
				8	
				T	
1	19M8162	CAP SCREW	4	X	M10 X 40, (10.9)
2	RE503056	TURBOCHARGER	1	X	
3	R123572	GASKET	1	X	
4	14M7296	FLANGE NUT	4	X	M10

CD41059 -UN-25NOV97

6578 - CONTINUED



KEY	PART NO.	PART NAME	QTY	ENGINE SERIAL NO.	REMARKS
1	M87733	ADAPTER	1		X 1/4"-18NPT X 11/16"-16UN, (ALSO ORDER R63548)
2	R63548	O-RING	1		X 9.250 X 1.780 MM
3	RE59922	HOSE	1		X
4	T77613	O-RING	1		X 9.246 X 1.778 MM
5	38H5154	ELBOW FITTING	1		X 45°, M16 X 1.5 X 11/16"-16UN
6	51M7042	O-RING	1		X 13.300 X 2.200 MM
7	R123570	GASKET	1		X
8	19M7866	SCREW	2		X M8 X 20, (10.9)
9	RE59438	OIL LINE	1		X
10	RE65978	CLAMP	2		X
11	R104536	BULK HOSE	1		X ID X LGTH 19MM X 2000MM, CUT TO LENGTH
12	RE54885	HOSE FITTING	1		X

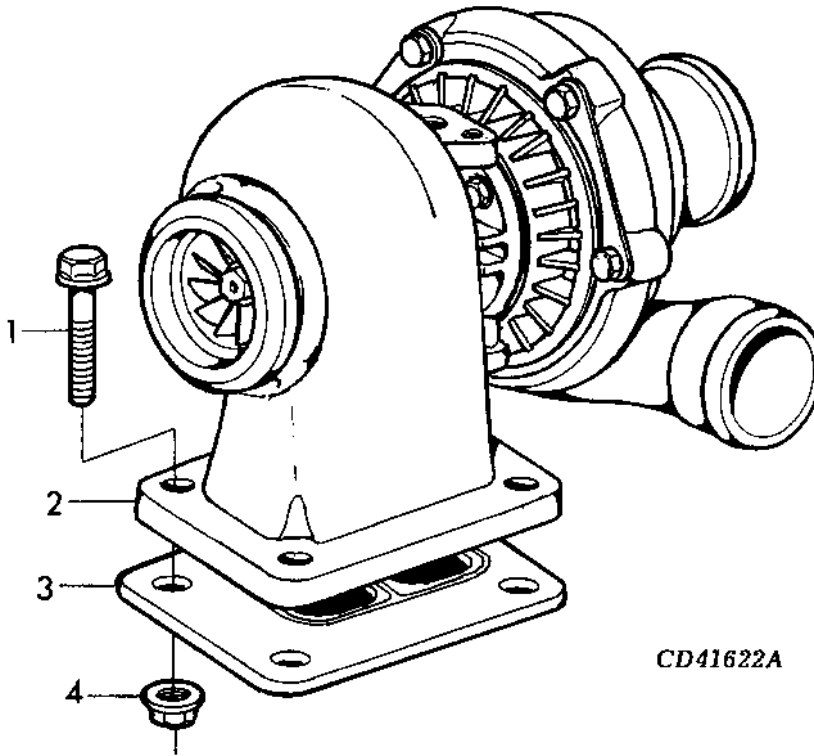
MEMORANDA

# 1125

TURBOCHARGER

CD41622A -UN-25NOV97

6579



CD41622A

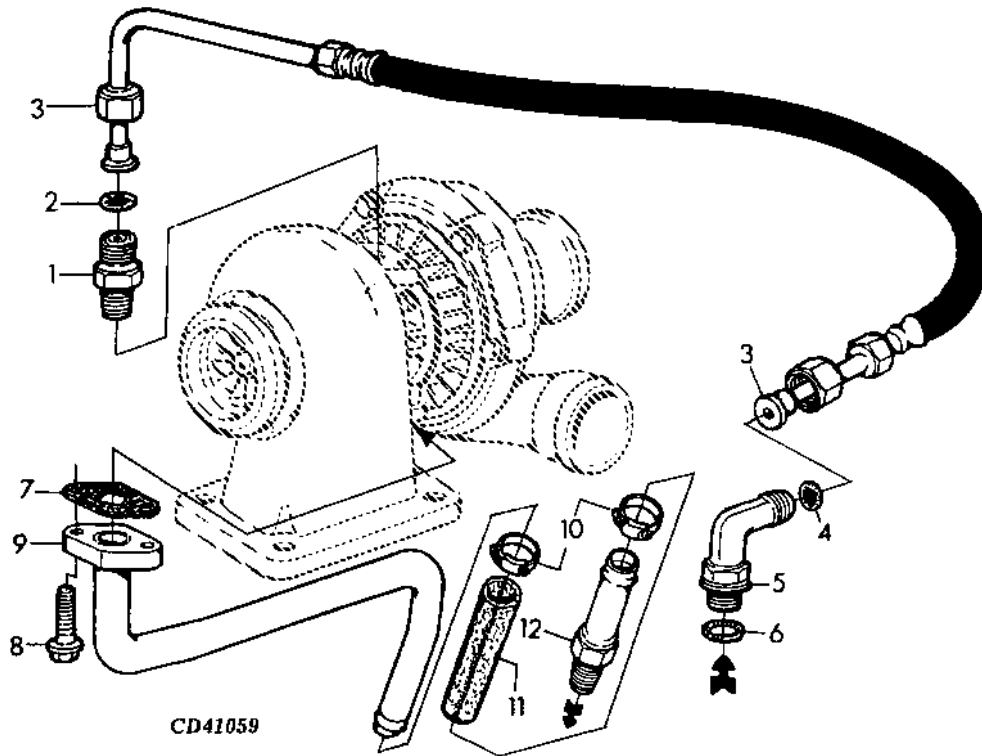
KEY	PART NO.	PART NAME	QTY	ENGINE SERIAL NO.	REMARKS
1	19M8162	CAP SCREW	4	X	M10 X 40, (10.9)
2	RE502948	TURBOCHARGER	1	X	
3	R123572	GASKET	1	X	
4	14M7296	FLANGE NUT	4	X	M10

# 1J1

TURBOCHARGER

CD41059 -UN-25NOV97

6579 - CONTINUED



KEY	PART NO.	PART NAME	QTY	ENGINE SERIAL NO.	REMARKS
				0	
				6	
				8	
				H	
1	M87733	ADAPTER	1	X	1/4"-18NPT X 11/16"-16UN, (ALSO ORDER R63548)
2	R63548	O-RING	1	X	9.250 X 1.780 MM
3	RE59922	HOSE	1	X	
4	T77613	O-RING	1	X	9.246 X 1.778 MM
5	38H5154	ELBOW FITTING	1	X	45°, M16 X 1.5 X 11/16"-16UN
6	51M7042	O-RING	1	X	13.300 X 2.200 MM
7	R123570	GASKET	1	X	
8	19M7866	SCREW	2	X	M8 X 20, (10.9)
9	RE59438	OIL LINE	1	X	
10	RE65978	CLAMP	2	X	
11	R104536	BULK HOSE	1	X	ID X LGTH 19MM X 2000MM, CUT TO LENGTH
12	RE54885	HOSE FITTING	1	X	

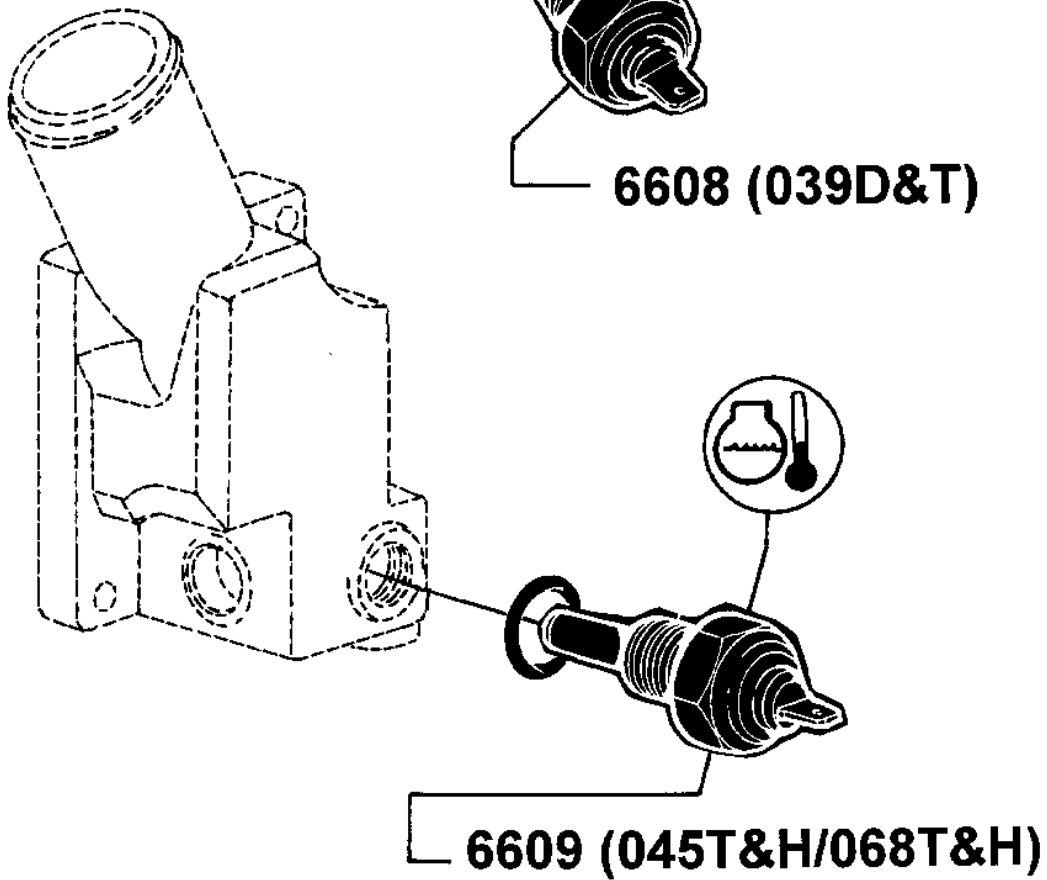
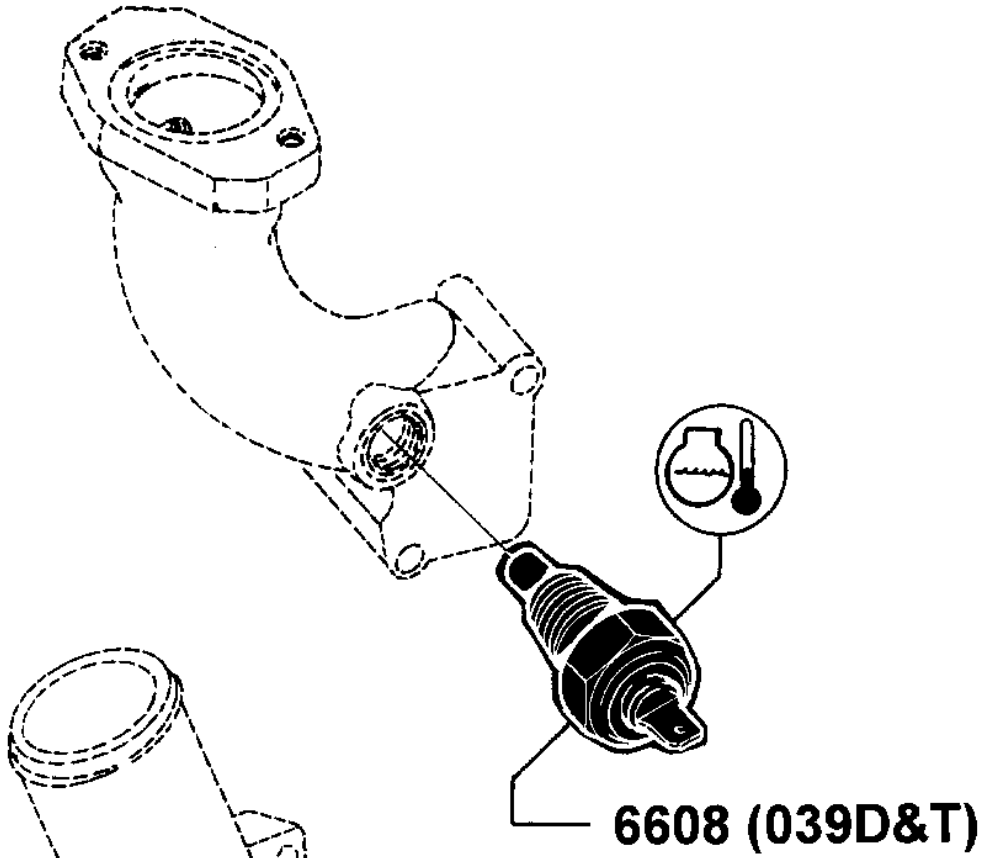
# 1J3

SENSOR (WATER)

## SECTIONAL INDEX

CD42759 -UN-11FEB99

6608 -	1J4
6609 -	1J5



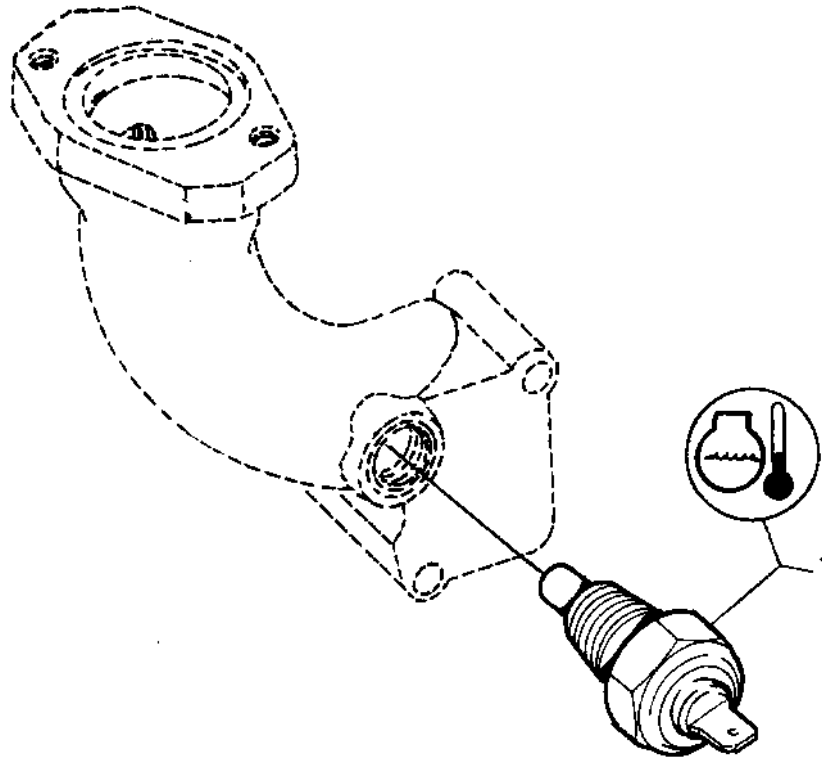
CD42759

# 1J4

SENSOR (WATER)

CD42762 -UN-15FEB99

6608



CD42762

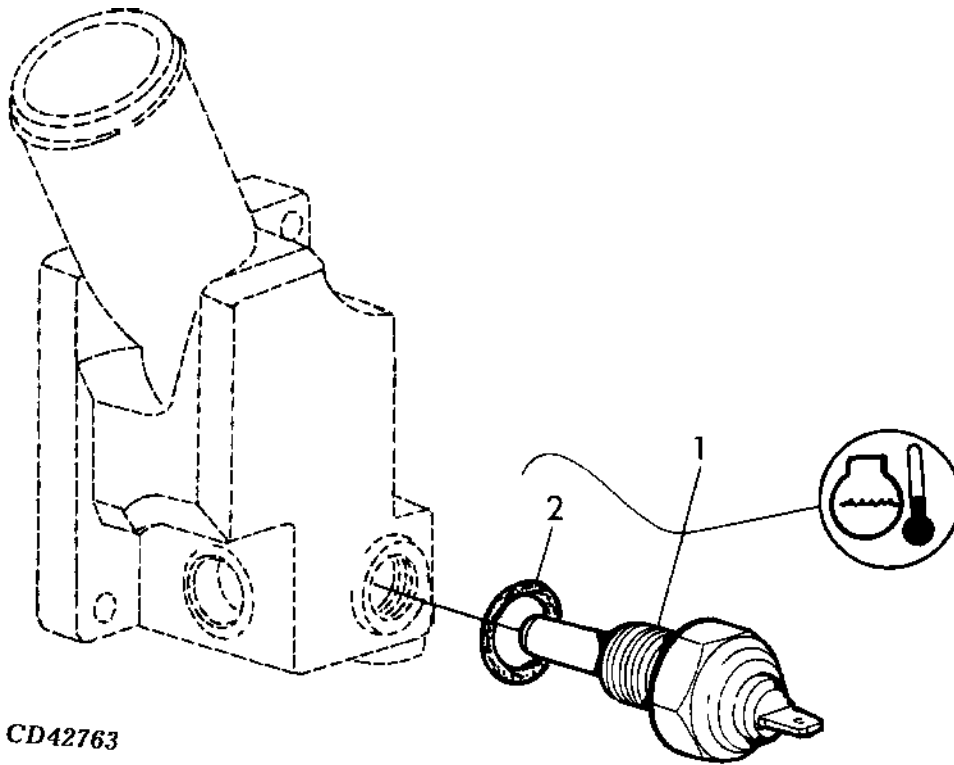
KEY	PART NO.	PART NAME	QTY	ENGINE SERIAL NO.	0 3 9 D & T	REMARKS
1	RE503882	SENSOR	1		X	1/2"-14NPTF (12V - 24V)

# 1J5

SENSOR (WATER)

CD42763 -UN-15FEB99

6609



KEY	PART NO.	PART NAME	QTY	ENGINE SERIAL NO.	REMARKS
1	RE503883	SENSOR	1	0 0 4 6 5 8 T T & & H H	1/2" 14NPTF (12V - 24V)
2	51M7041	O-RING	1		11.300 X 2.200 MM



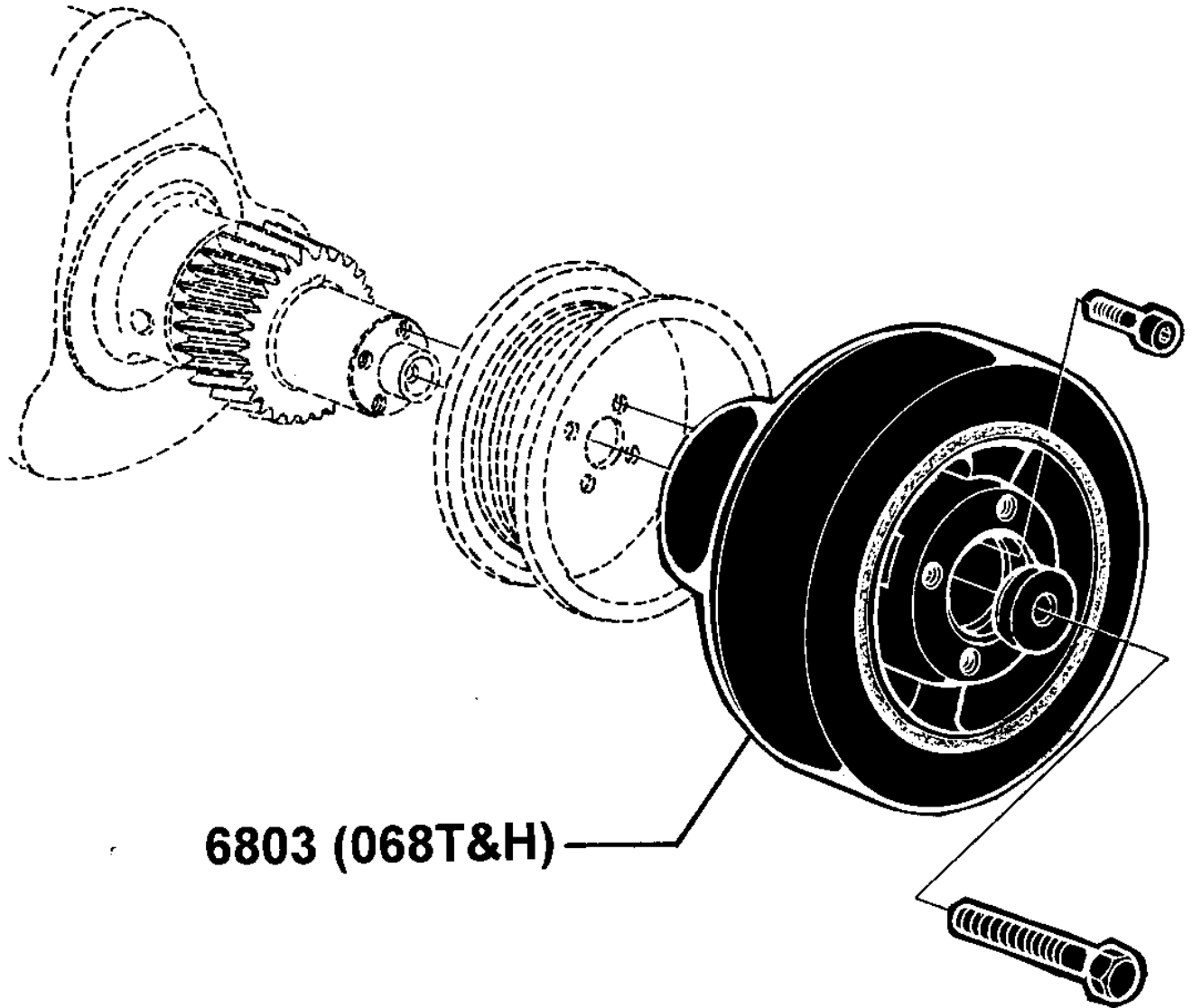
# 1J7

TORSIONAL DAMPENER

SECTIONAL INDEX

CD42764 -UN-11FEB99

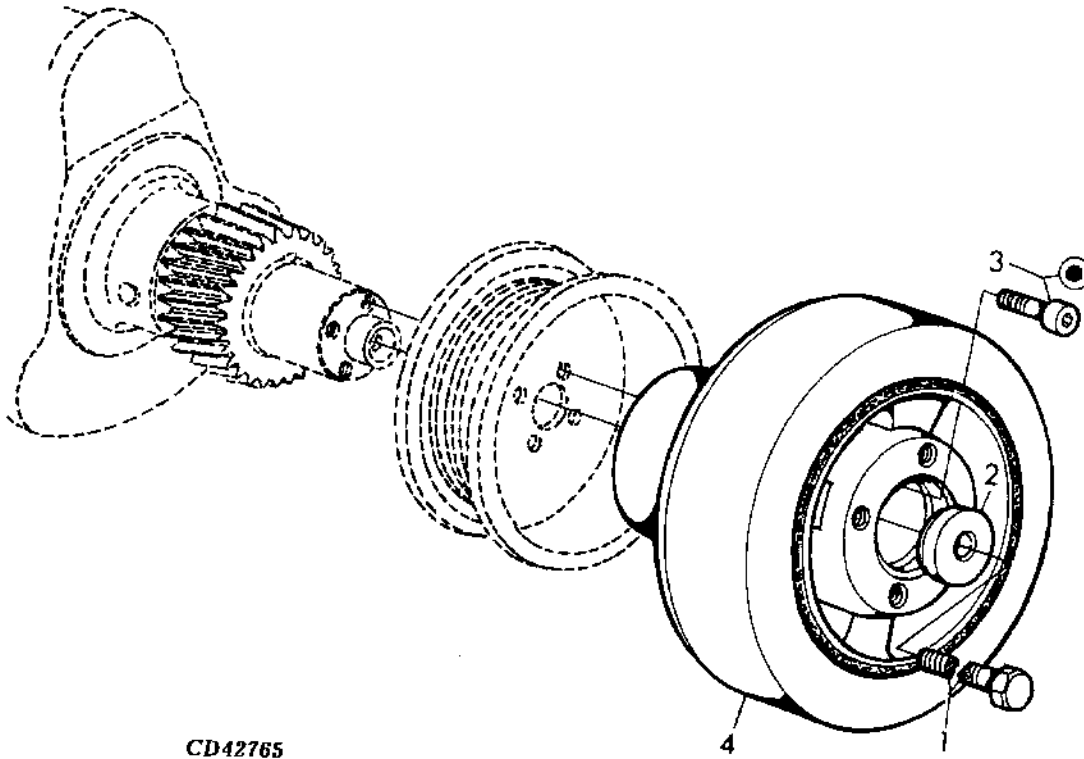
6803 - 1J8



CD42764

CD42765 -UN-15FEB99

6803



CD42765

KEY	PART NO.	PART NAME	QTY	ENGINE SERIAL NO.	REMARKS
1	19M8442	SCREW	1		X M12 X 100, (12.9)
2	R500053	WASHER	1		X 12.5 X 62 X 10 MM
3	19M8943	SCREW	4		X M10 X 50, (12.9)
4	RE500013	TORSIONAL DAMPENER	1		X

0  
6  
8  
T  
&  
H

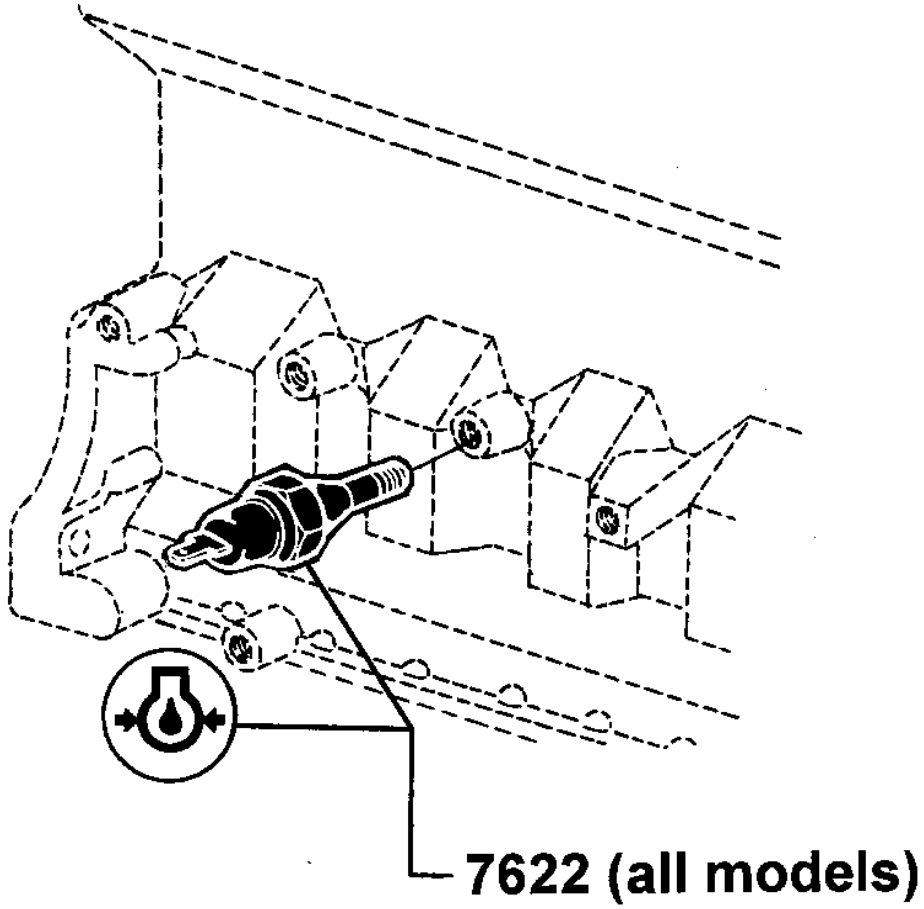
MEMORANDA

# 1J10

SWITCH (OIL)

SECTIONAL INDEX  
CD42766 -UN-11FEB99

7622 - 1J11



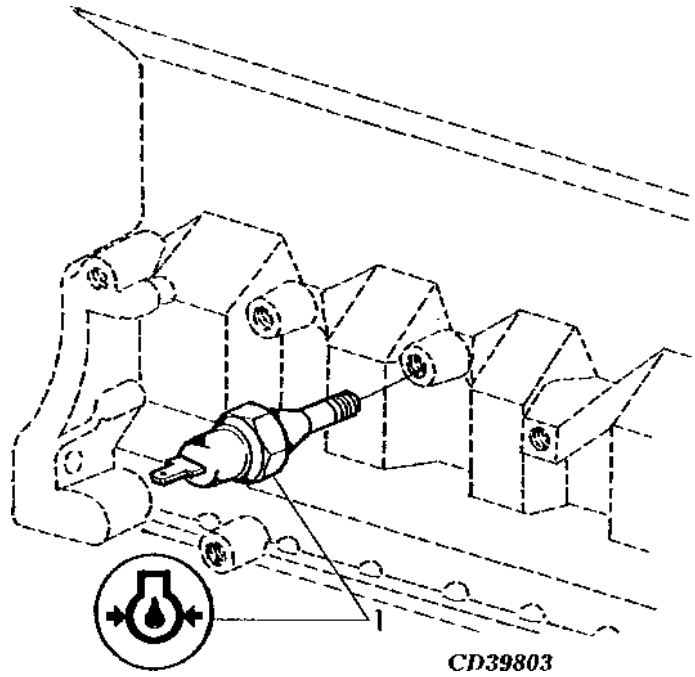
CD42766

# 1J11

SWITCH (OIL)

CD39803 -UN-01JAN94

7622



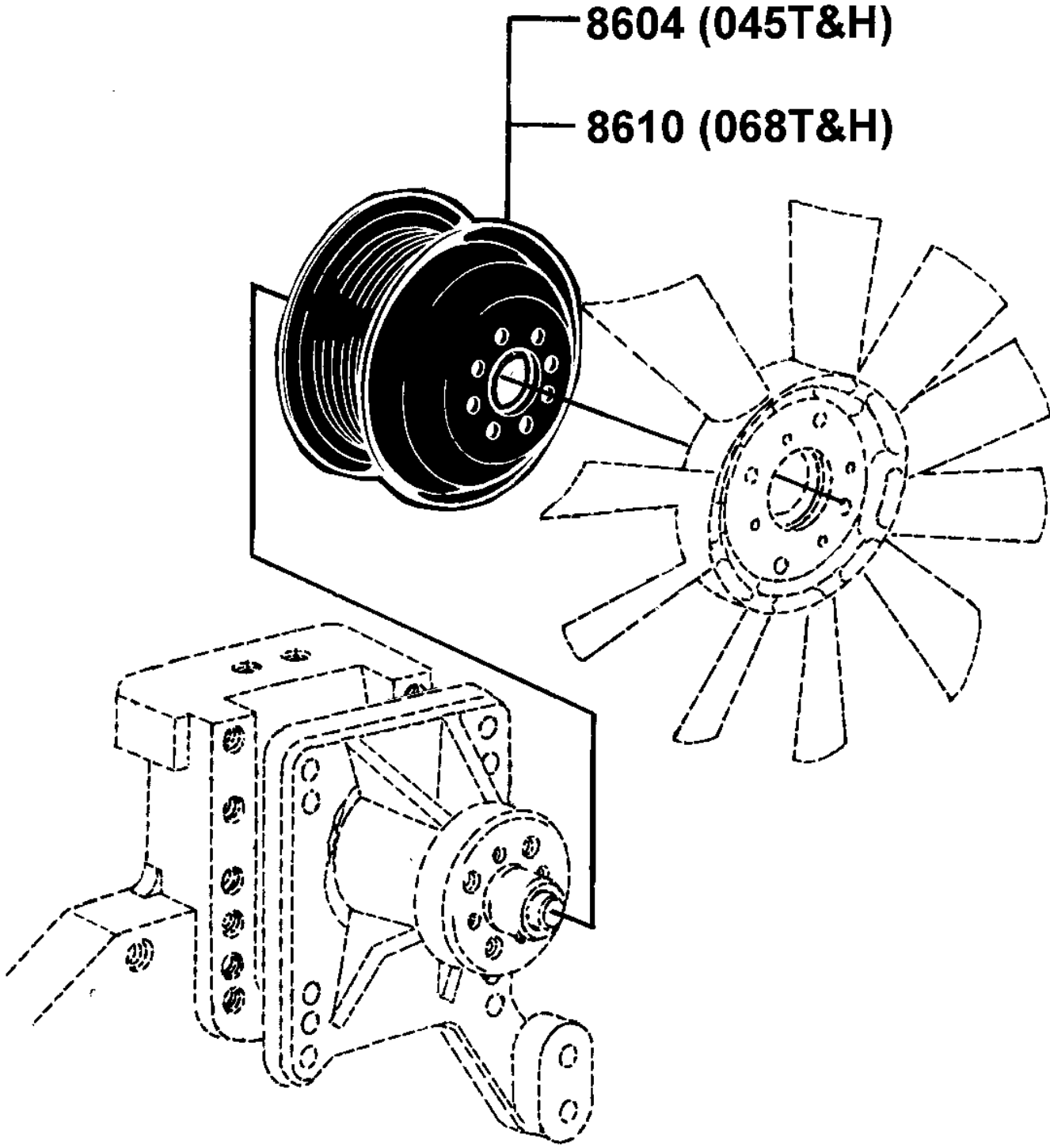
KEY	PART NO.	PART NAME	QTY	ENGINE SERIAL NO.	MODELS	REMARKS
1	RE503867	TOUCH SWITCH	1		X	1/8"-27NPTF (12V - 24V)

# 1J13

FAN SHEAVE

SECTIONAL INDEX  
CD42767 -UN-11FEB99

8604 -	1J14
8610 -	1J15



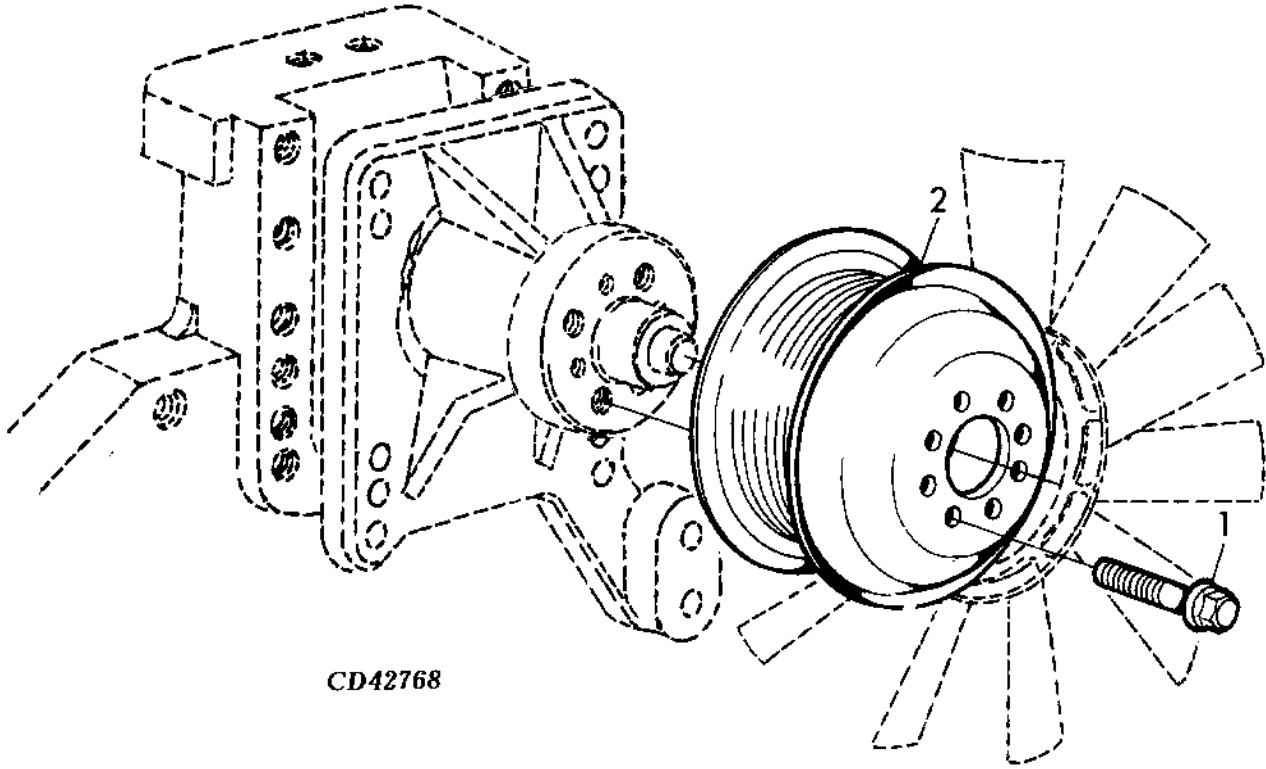
CD42767

# 1J14

FAN SHEAVE

CD42768 -UN-15FEB99

8604



KEY	PART NO.	PART NAME	QTY	ENGINE SERIAL NO.	REMARKS
1	19M7784	SCREW	4		X M10 X 20, (10.9)
2	R128658	SHEAVE	1		X OD 145MM

0  
4  
5  
T  
&  
H

MEMORANDA

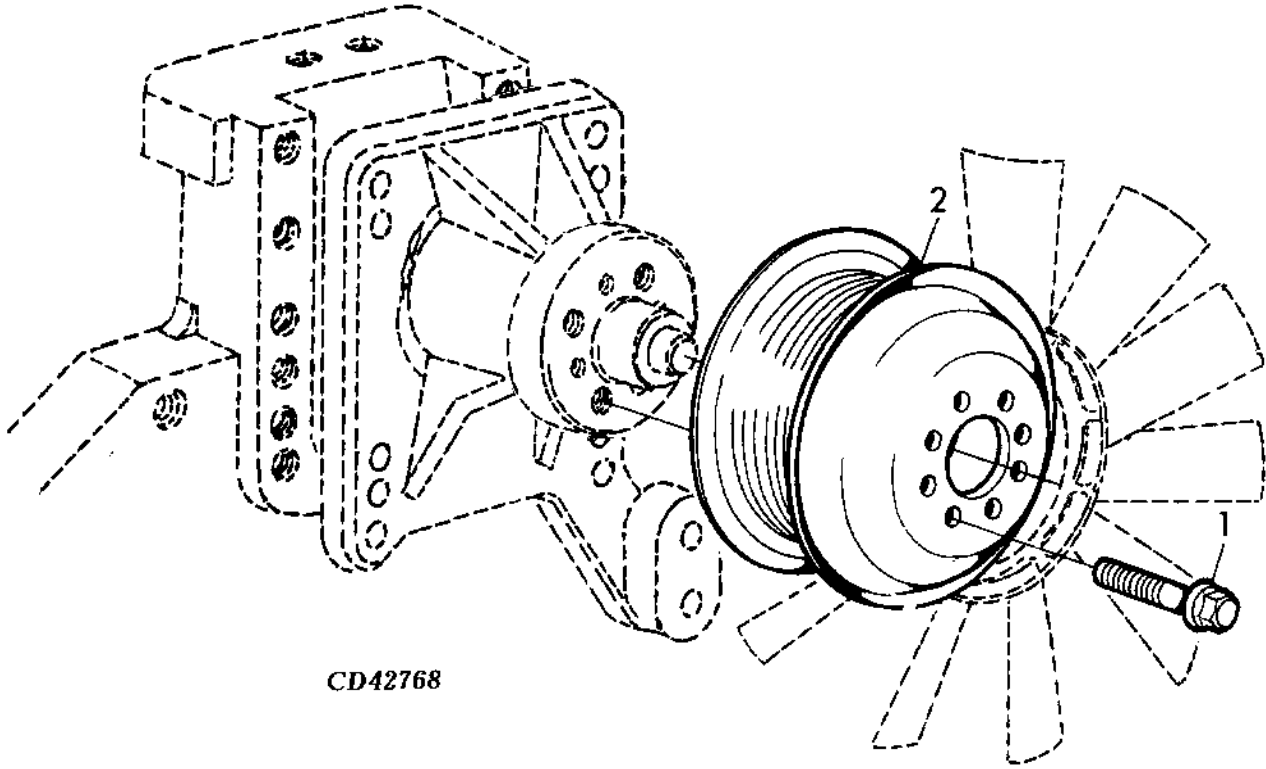


# 1J15

FAN SHEAVE

CD42768 -UN-15FEB99

8610



CD42768

KEY	PART NO.	PART NAME	QTY	ENGINE SERIAL NO.	0 6 8 T & H	REMARKS
1	19M7784	SCREW	4		X	M10 X 20, (10.9)
2	R128658	SHEAVE	1		X	OD 145MM

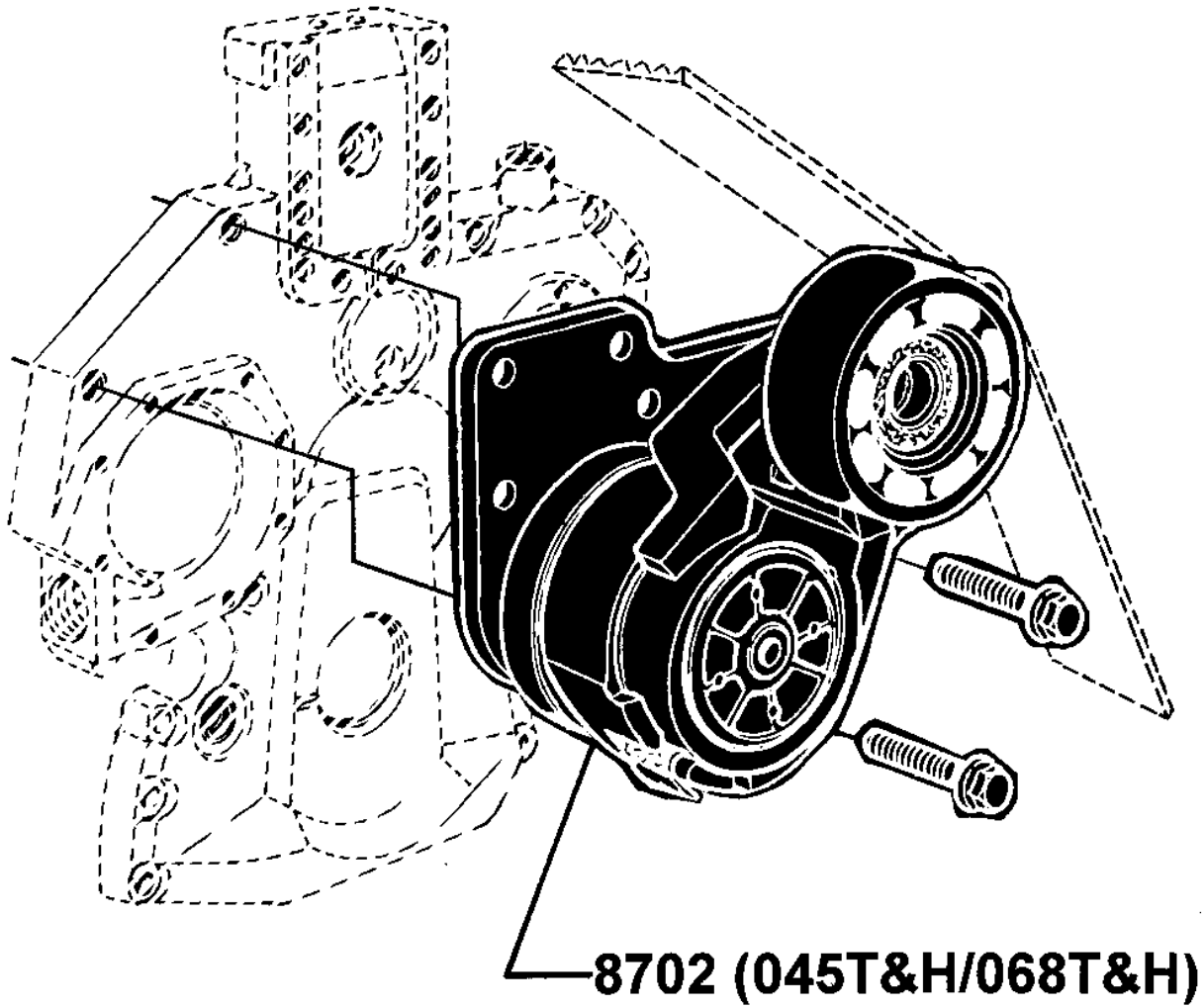
# 1J17

TENSIONNER AUTOMATIC BELT

## SECTIONAL INDEX

CD42769 -UN-11FEB99

8702 - 1J18



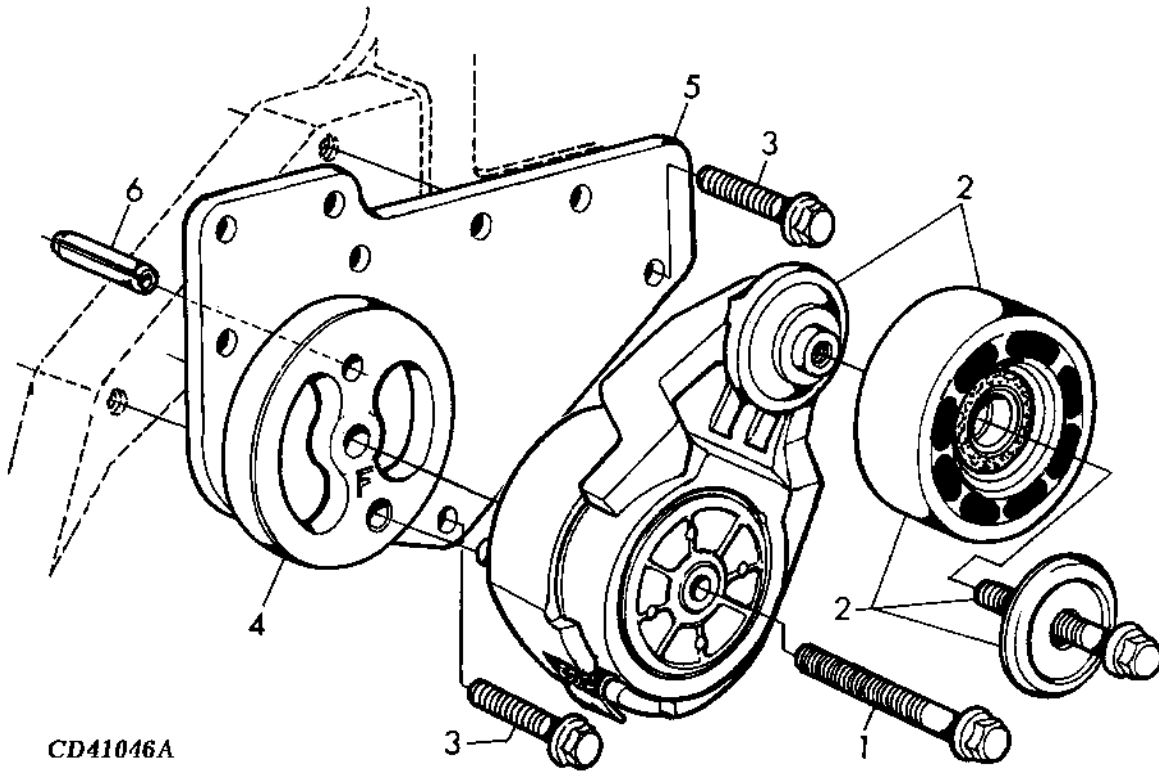
CD42769

# 1J18

TENSIONNER AUTOMATIC BELT

CD41046A -UN-16SEP98

8702



CD41046A

KEY	PART NO.	PART NAME	QTY	ENGINE SERIAL NO.	REMARKS
1	19M8131	SCREW	1	X X	M10 X 70, (10.9)
2	RE70536	SHEAVE	1	X X	
3	19M7801	SCREW	2	X X	M8 X 60, (10.9)
4	R500321	SPACER	1	X X	
5	R132168	SUPPORT	1	X X	
6	34M7061	SPRING PIN	1	X X	8 X 20 MM

0 0  
4 6  
5 8  
T T  
& &  
H H

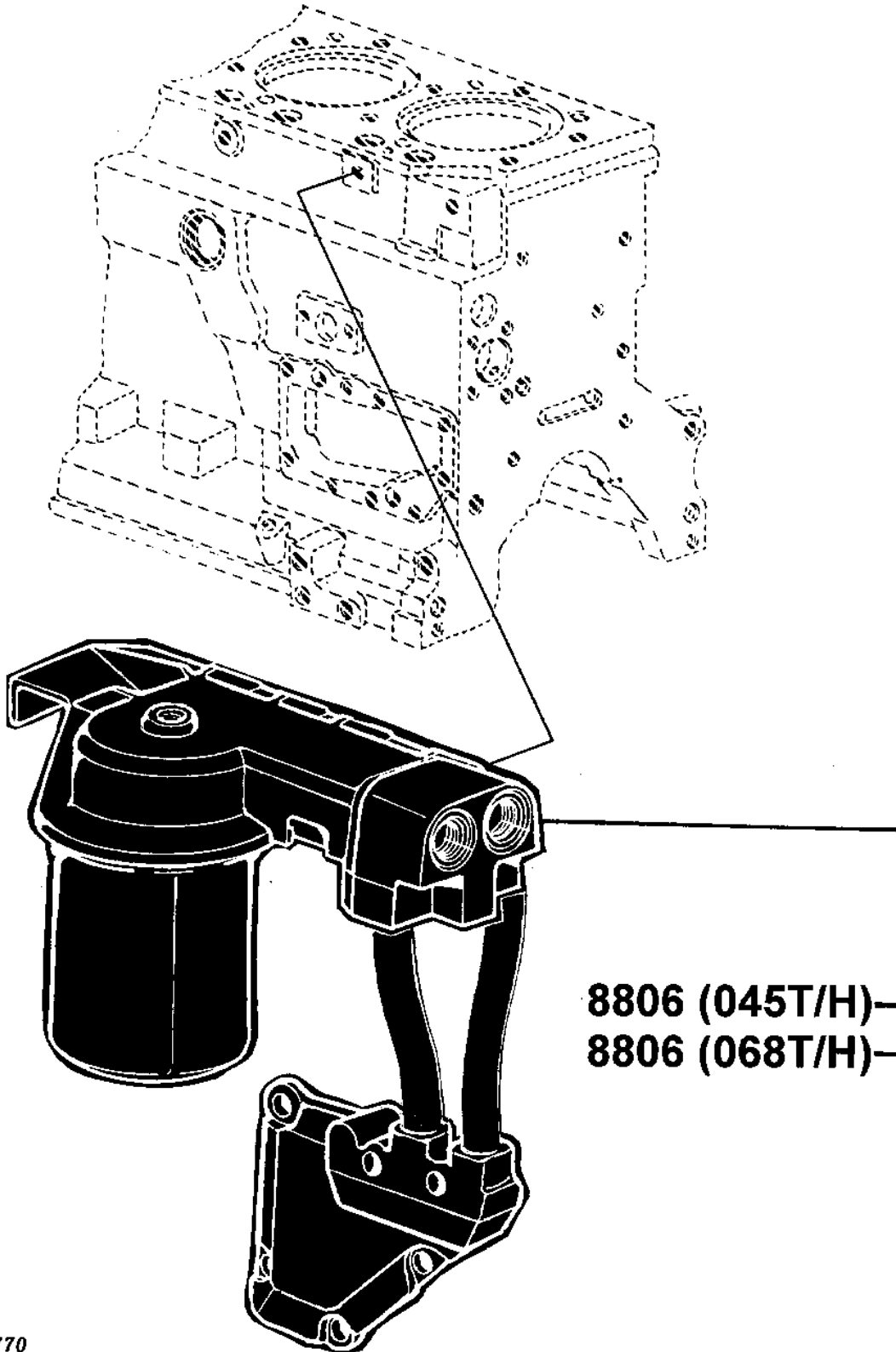
# 1J20

OIL FILTER

## SECTIONAL INDEX

CD42770 -UN-11FEB99

8806 -	1J21
8806 -	1J22



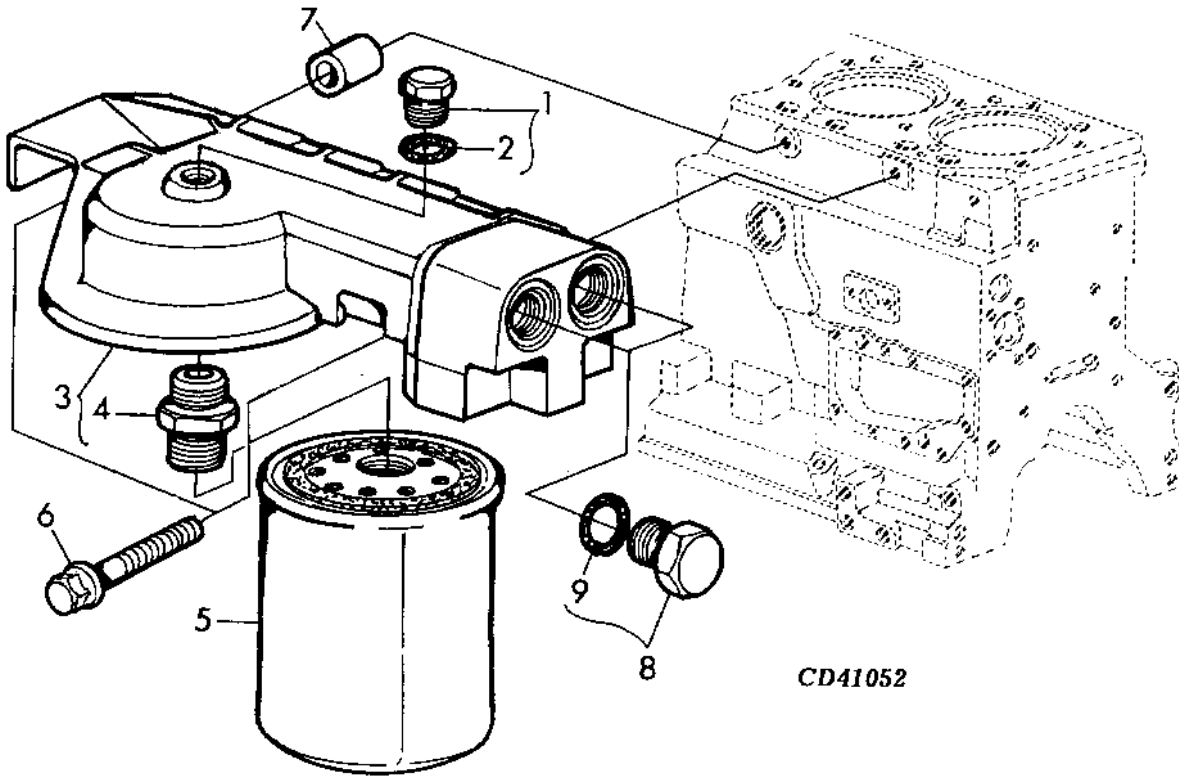
CD42770

# 1J21

OIL FILTER

CD41052 -UN-05DEC96

8806



CD41052

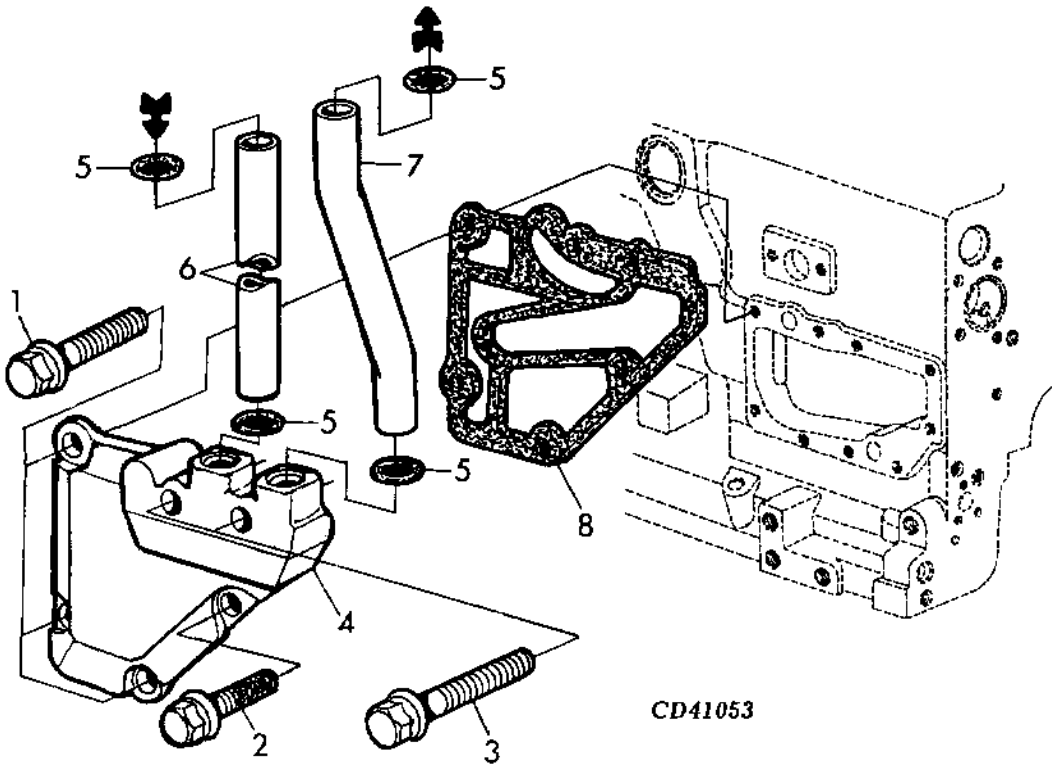
KEY	PART NO.	PART NAME	QTY	ENGINE SERIAL NO.	REMARKS
1	.....	FITTING	NA	X X	M16 X 1.5
2	.....	O-RING	NA	X X	
3	RE59906	FILTER HEAD	1	X X	(MARKED R134570)
4	R123591	THREADED NIPPLE	1	X X	
5	RE59754	OIL FILTER	1	X X	
6	19M7835	SCREW	2	X X	M10 X 35, (10.9)
7	R114358	SPACER	1	X X	12 X 25.400 X 12.700 MM
8	RE46687	FITTING	2	X X	M22 X 1.5
9	51M7045	O-RING	1	X X	19.300 X 2.200 MM

# 1J22

OIL FILTER

CD41053 -UN-05DEC96

8806 - CONTINUED



KEY	PART NO.	PART NAME	QTY	ENGINE SERIAL NO.	REMARKS
				0 0	
				4 6	
				5 8	
				T T	
				& &	
				H H	
1	19M7802	SCREW	3	X X	M8 X 65, (10.9)
2	RE67238	SCREW	1	X X	THREADS SEALANT COATED
3	19M7913	SCREW	2	X X	M8 X 90, (10.9)
4	R135916	ADAPTER	1	X X	
5	R72328	O-RING	4	X X	
6	R135270	TUBE	1	X X	
7	R135271	TUBE	1	X X	
8	R123504	GASKET	1	X X	

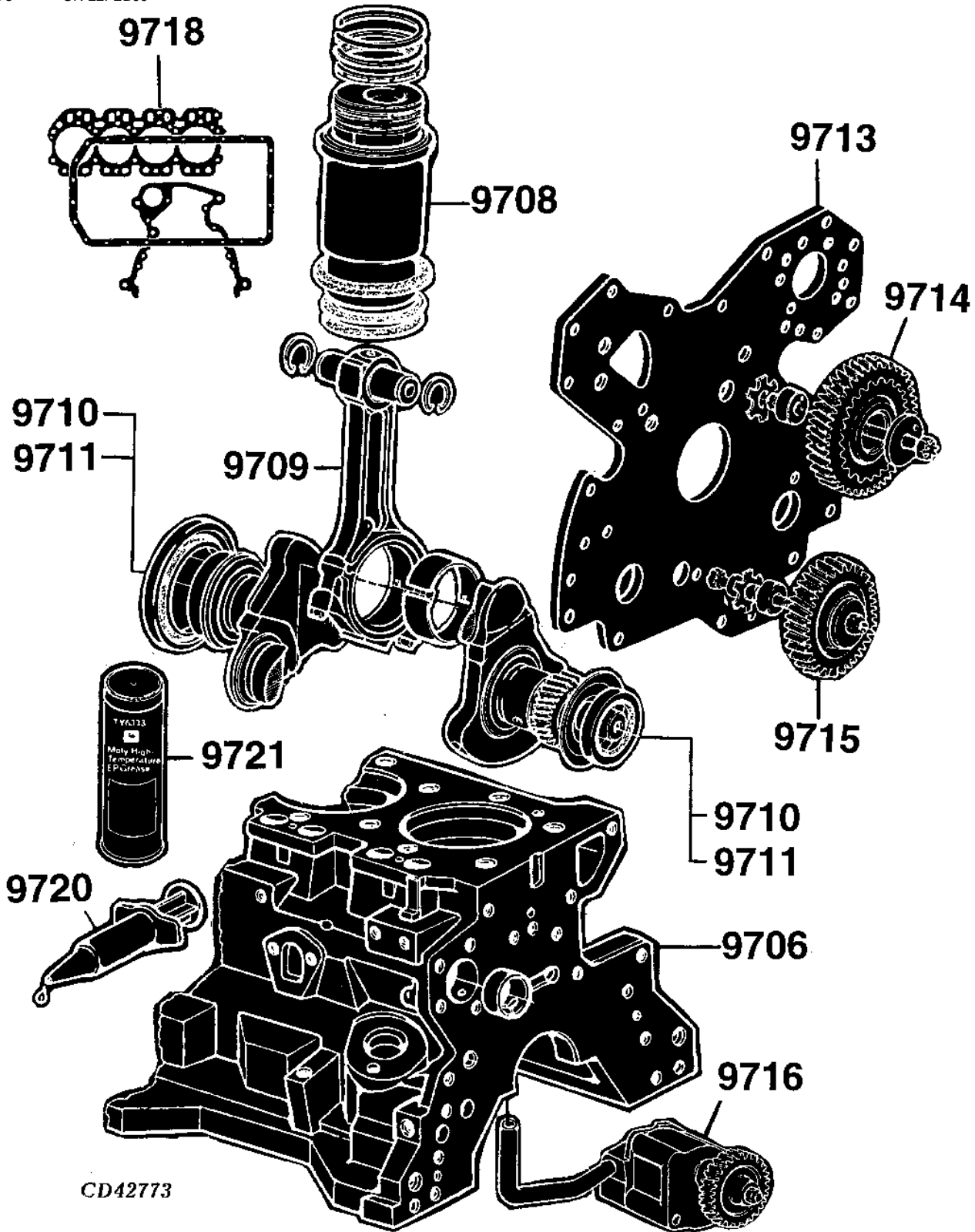
MEMORANDA

# 1K3

ENGINE BASE (039)

SECTIONAL INDEX

CD42773 -UN-22FEB99



9701 -	1K5
9702 -	1K6
9703 -	1K7
9704 -	1K8
9705 -	1K9
9706 -	1K10
9708 -	1K12
9709 -	1K13
9710 -	1K14
9711 -	1K15
9712 -	1K16
9713 -	1K17
9714 -	1K18
9715 -	1K19
9716 -	1K20
9717 -	1K21
9718 -	1K22
9720 -	1K24
9721 -	1K25
9722 -	1L1
9723 -	1L2
9724 -	1L3
9725 -	1L4
9726 -	1L5
9727 -	1L6
9728 -	1L7
9729 -	1L8

CD42773



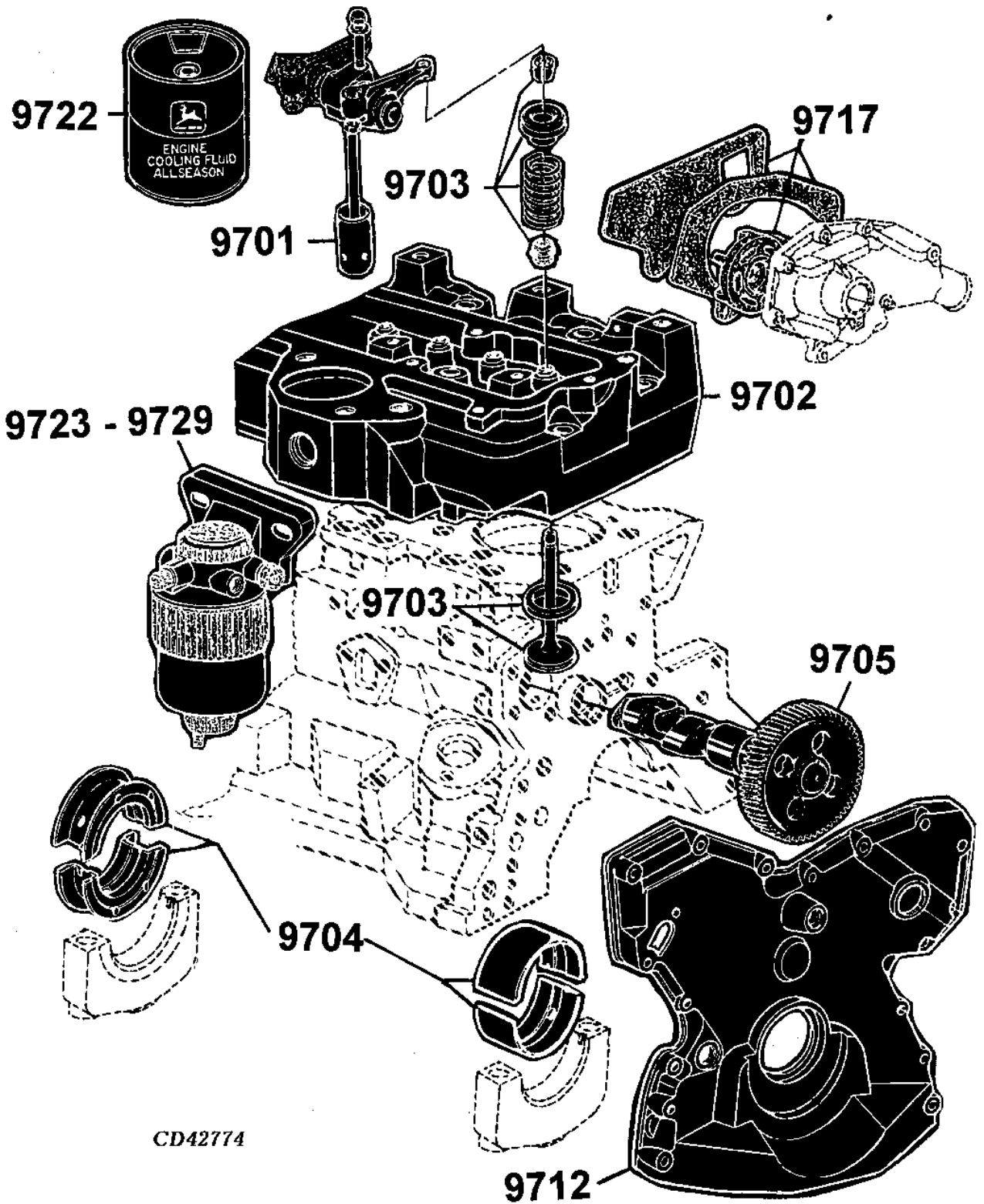
# 1K4

ENGINE BASE (039)

## SECTIONAL INDEX

CD42774 -UN-24FEB99

9701 -	1K5
9702 -	1K6
9703 -	1K7
9704 -	1K8
9705 -	1K9
9706 -	1K10
9708 -	1K12
9709 -	1K13
9710 -	1K14
9711 -	1K15
9712 -	1K16
9713 -	1K17
9714 -	1K18
9715 -	1K19
9716 -	1K20
9717 -	1K21
9718 -	1K22
9720 -	1K24
9721 -	1K25
9722 -	1L1
9723 -	1L2
9724 -	1L3
9725 -	1L4
9726 -	1L5
9727 -	1L6
9728 -	1L7
9729 -	1L8

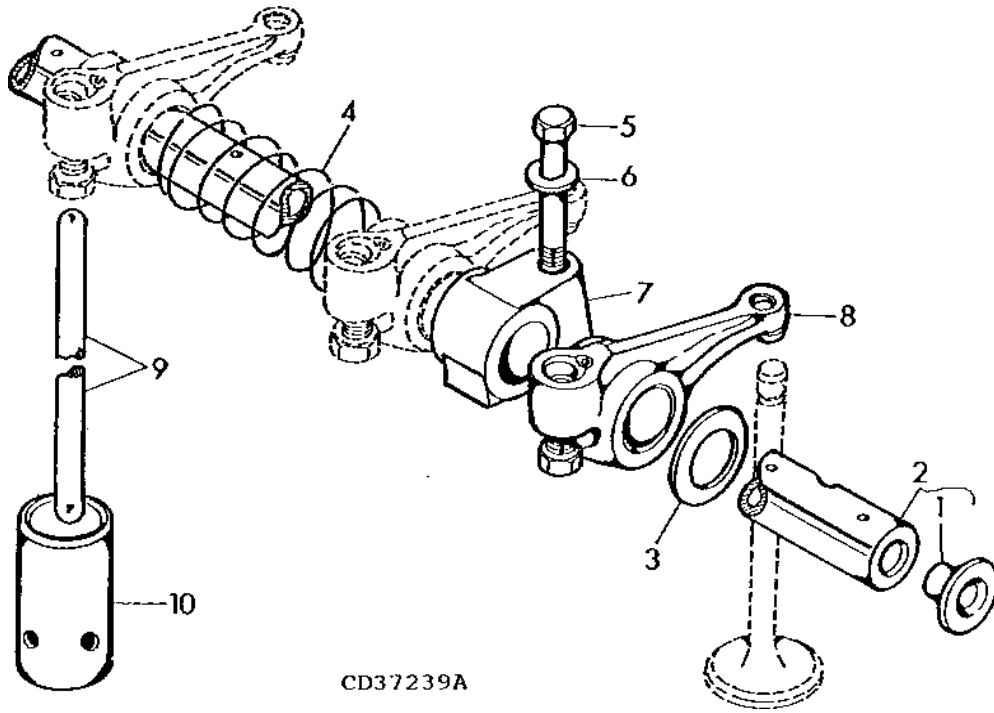


# 1K5

ENGINE BASE (039)

CD37239A -UN-01JAN94

9701



CD37239A

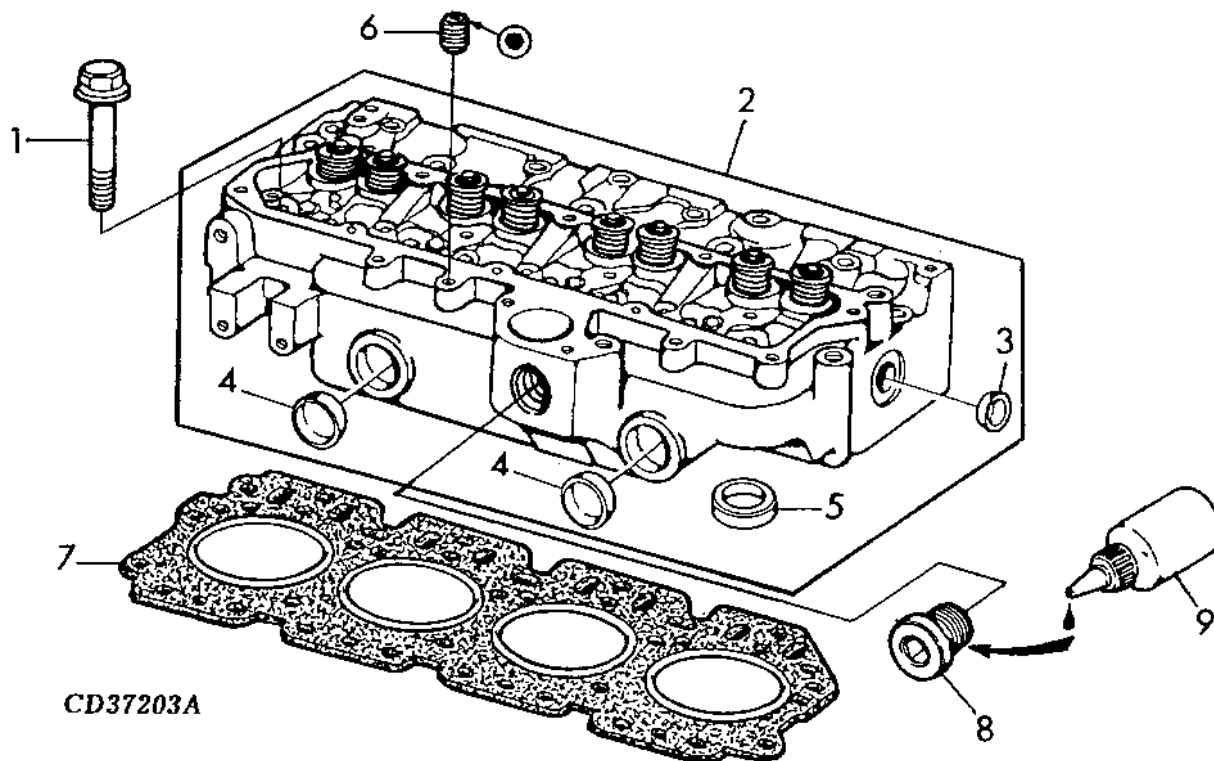
KEY	PART NO.	PART NAME	QTY	ENGINE SERIAL NO.	0 3 9 D & T	REMARKS
1	R54565	PLUG	2		X	
2	DD12120	ROCKER ARM SHAFT	1		X	
3	T20316	WASHER	2		X	
4	T20314	SPRING	2		X	
5	19H3031	CAP SCREW	3		X	3/8" X 2-1/2", (SAE 8)
6	R42729	WASHER	3		X	
7	T20315	SUPPORT	3		X	
8	RE31973	ROCKER ARM	6		X	
9	T20310	PUSH ROD	6		X	LGTH 234MM
10	T20073	TAPPET	6		X	

# 1K6

ENGINE BASE (039)

CD37203A -UN-02SEP98

9702



CD37203A

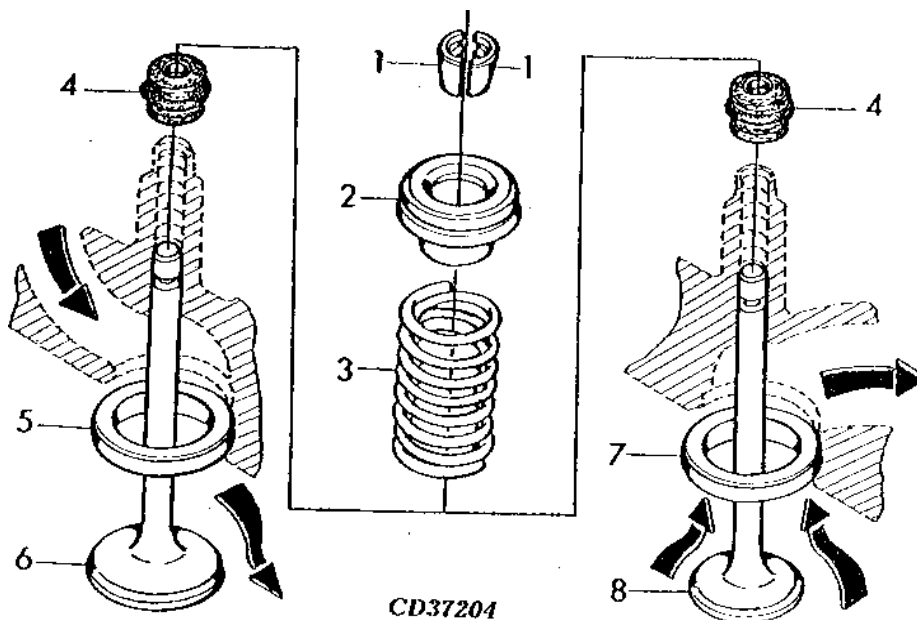
KEY	PART NO.	PART NAME	QTY	ENGINE SERIAL NO.		REMARKS
				D	T	
1	R85363	CAP SCREW	18	X	X	12.7MM X 112MM
2	.....	CYLINDER HEAD	1	X		MARKED R116569, ORD RE48615,T58477, TY9371 OR T43513, APPL
	RE48615	CYLINDER HEAD	1	X	X	(MARKED R111949) WITH VALVES, ALSO ORDER T58477,TY9374 OR TY9375, APPL
3	CD16284	CAP	AR	X	X	OD 32.6MM
	A3910R	CAP	AR	X	X	OD 25.4MM (1")
4	R43409	CAP	AR	X	X	OD 43.3MM
5	.....	VALVE SEAT INSERT	AR	X	X	ORD R106831 + R106829
6	R104592	PIPE PLUG	AR	X	X	1/8"-27NPT ,
7	R92425	ENGINE CYLINDER HEAD GASKET	1	X	X	
8	T58477	PIPE PLUG	AR	X		7/8"-14UNF, (ALSO ORDER TY9371 OR T43513) APPL
	T58477	PIPE PLUG	AR	X		7/8"-14UNF, (ALSO ORDER TY9374 OR TY9375) APPL
9	TY9371	ADHESIVE	AR	X		LOCTITE 271, 6ML (0.2 OZ)
	T43513	ADHESIVE	AR	X		LOCTITE 271, 50ML (1.7 OZ)
	TY9374	SEALANT	AR	X		LOCTITE 572/592, 6ML (0.2 OZ)
	TY9375	SEALANT	AR	X		LOCTITE 572/592, 50ML (1.7 OZ)

# 1K7

ENGINE BASE (039)

CD37204 -UN-01JAN94

9703



CD37204

KEY	PART NO.	PART NAME	QTY	ENGINE SERIAL NO.	REMARKS
1	R91889	RETAINER	16		X OD 11.7MM
2	RE60005	ROTATOR	8		X
3	R26125	SPRING	8		X
4	RE31617	SEAL	8		X ID STANDARD,
5	R106831	VALVE SEAT INSERT	4		X OD 47.22MM, INTAKE
6	R98062	INTAKE VALVE	4		X OD STANDARD
	R97490	INTAKE VALVE	AR		X OD +0.381MM
	R97491	INTAKE VALVE	AR		X OD +0.762MM
7	R106829	VALVE SEAT INSERT	4		X OD 43.1MM, EXHAUST
8	R90692	EXHAUST VALVE	4		X OD STANDARD
	R97492	EXHAUST VALVE	AR		X OD +0.381MM
	R97493	EXHAUST VALVE	AR		X OD +0.762MM

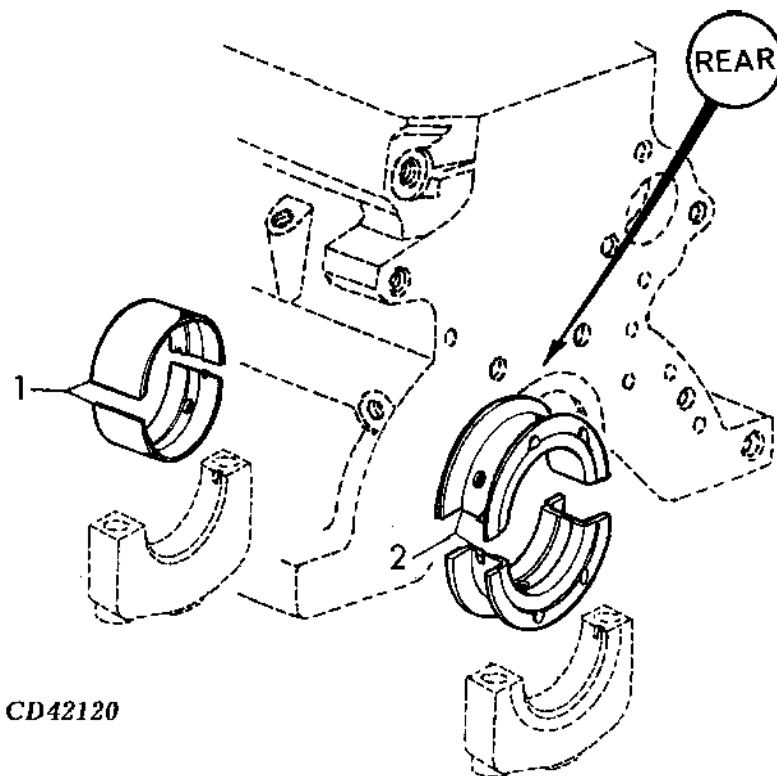
0  
3  
9  
D  
&  
T

# 1K8

ENGINE BASE (039)

CD42120 -UN-30JUL98

9704



CD42120

KEY	PART NO.	PART NAME	QTY	ENGINE SERIAL NO.	REMARKS
1	AT21140	BEARING	4		X (KIT (2) T23214) STD
	.....	BEARING	AR		X (A) US -0.254MM, MARKED T23554, ORD RE27353
2	AT21139	BEARING	1		X (KIT (2) T23215) STD, REAR
	.....	BEARING	AR		X (A) US -0.254MM, REAR, MARKED T23576, ORD RE27351 AND RE13571

0  
3  
9  
D  
&  
T

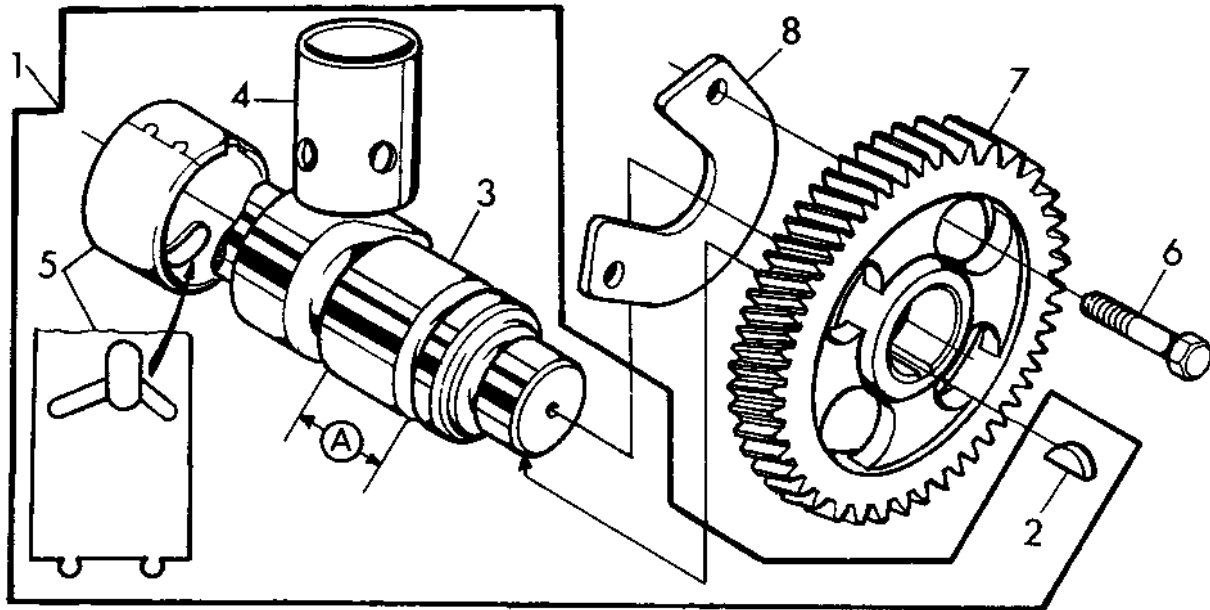
(A) GRINDING GUIDELINE : CTM3274

# 1K9

ENGINE BASE (039)

CD40310A -UN-22JAN97

9705



CD40310A

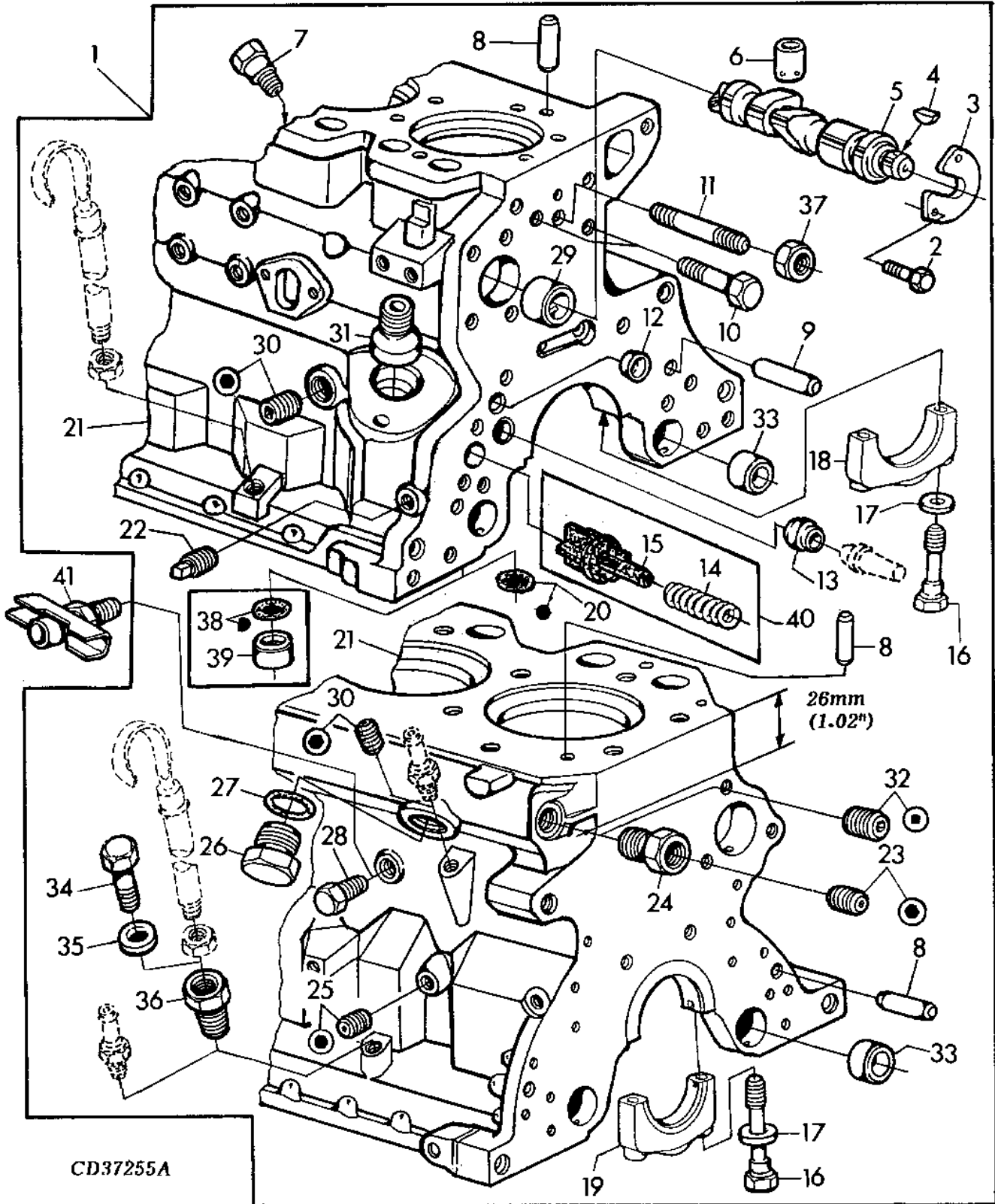
KEY	PART NO.	PART NAME	QTY	ENGINE SERIAL NO.	0 3 9 D & T	REMARKS
1	RE55901	KIT	1		X	(ALSO ORDER TY6333) INCL INSTRUCTIONS
2	26H72	SHAFT KEY	1		X	1/8" X 5/8"
3	.....	CAMSHAFT	1		X	A = 40MM, MARKED R115335, ORD RE55901
4	T20073	TAPPET	8		X	
5	R119874	BUSHING	AR		X	
6	19H2676	CAP SCREW	2		X	3/8" X 1", (SAE 8)
7	T20070	HELICAL GEAR	1		X	Z = 48
8	T20072	PLATE	1		X	

# 1K10

ENGINE BASE (039)

CD37255A -UN-16JAN97

9706



CD37255A

# 1K11

ENGINE BASE (039)

KEY	PART NO.	PART NAME	QTY	ENGINE SERIAL NO.	0 3 9 D & T	REMARKS
1	RE51870	KIT	1		X	W/ INSTRUCTIONS
2	19H2676	CAP SCREW	2		X	3/8" X 1", (SAE 8)
3	T20072	PLATE	1		X	
4	26H72	SHAFT KEY	1		X	1/8" X 5/8"
5	.....	CAMSHAFT	1		X	MARKED R115335, ORD KIT RE55901
6	T20073	TAPPET	8		X	
7	R54802	ORIFICE	4		X	
8	A120R	DOWEL PIN	4		X	
9	B153R	DOWEL PIN	2		X	LOW
10	19H1726	CAP SCREW	2		X	3/8" X 2-1/4"
11	R130883	STUD	1		X	LGTH 47MM, 3/8"-16NC X 3/8"-16UNC
12	T18891	CAP	1		X	
13	R26493	BUSHING	1		X	
14	.....	SPRING	1		X	LGTH 51MM, NSEP, ORDER KIT RE63674
15	.....	VALVE	1		X	LGTH 41MM, NSEP, ORDER KIT RE63674
16	T23474	CAP SCREW	10		X	
17	R32214	WASHER	10		X	
18	R65215	BEARING CAP	4		X	
19	R79089	CAP	1		X	REAR
20	R97185	O-RING	1		X	
21	.....	CYLINDER BLOCK	1		X	MARKED R116194, NSEP, ORDER KIT RE51870
22	15H623	PIPE PLUG	1		X	3/8"-18NPT
23	15H690	PIPE PLUG	1		X	3/4"-14NPTF USE WITH 15H690
24	15H616	PIPE BUSHING	1		X	1"-11.5NPTF X 3/4"-14NPTF USE WITH 15H665
25	R104592	PIPE PLUG	5		X	1/8"-27NPT, WITH SEALANT
26	RE502422	DRAIN PLUG	1		X	
27	R501377	O-RING	1		X	
28	R55233	PIPE PLUG	1		X	1/4"-18NPT
29	R119874	BUSHING	1		X	(ALSO ORDER TY6333)
30	15H584	PIPE PLUG	2		X	1/2"-14NPT
31	T23435	THREADED NIPPLE	1		X	
32	15H562	PIPE PLUG	1		X	1"-11.5NPTF
33	R119210	BUSHING	6		X	OD STD
	R91708	BUSHING	AR		X	OS +2MM
34	19H2351	CAP SCREW	1		X	1/2" X 1/2"
35	T24608	WASHER	1		X	
36	R121194	ADAPTER	1		X	1/2"-13UNC X 1/2"-14NPTF
37	14H1076	NUT	1		X	3/8"-16UNC, HS SAE 8
38	R75892	O-RING	1		X	(USE WITH R75893)
39	R75893	FITTING	1		X	(USE WITH R75892)
40	RE63674	KIT	1		X	
41	AT13740	DRAIN VALVE	AR		X	

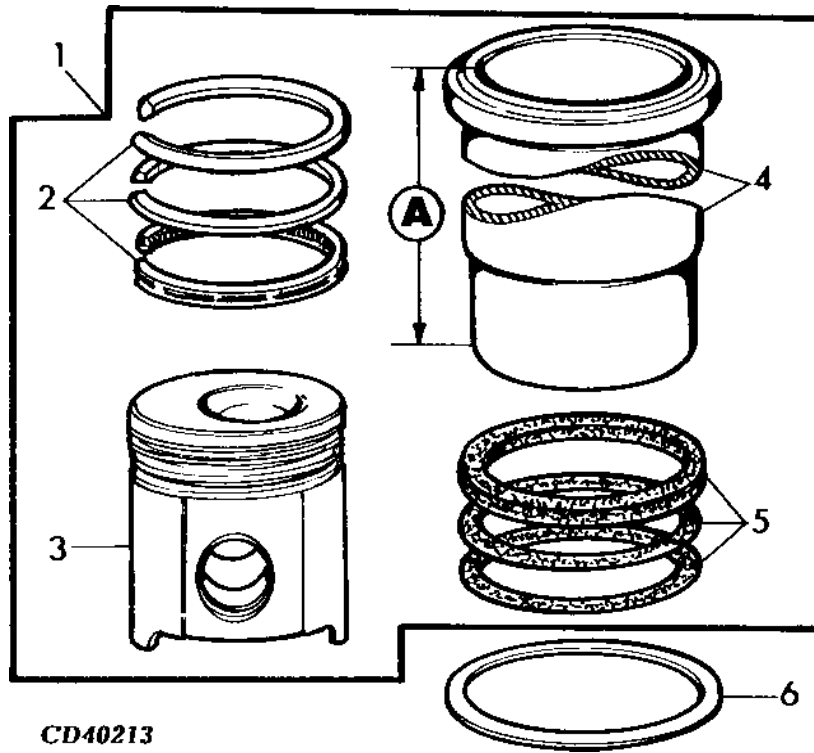


# 1K12

ENGINE BASE (039)

CD40213 -UN-23MAY95

9708



**CD40213**

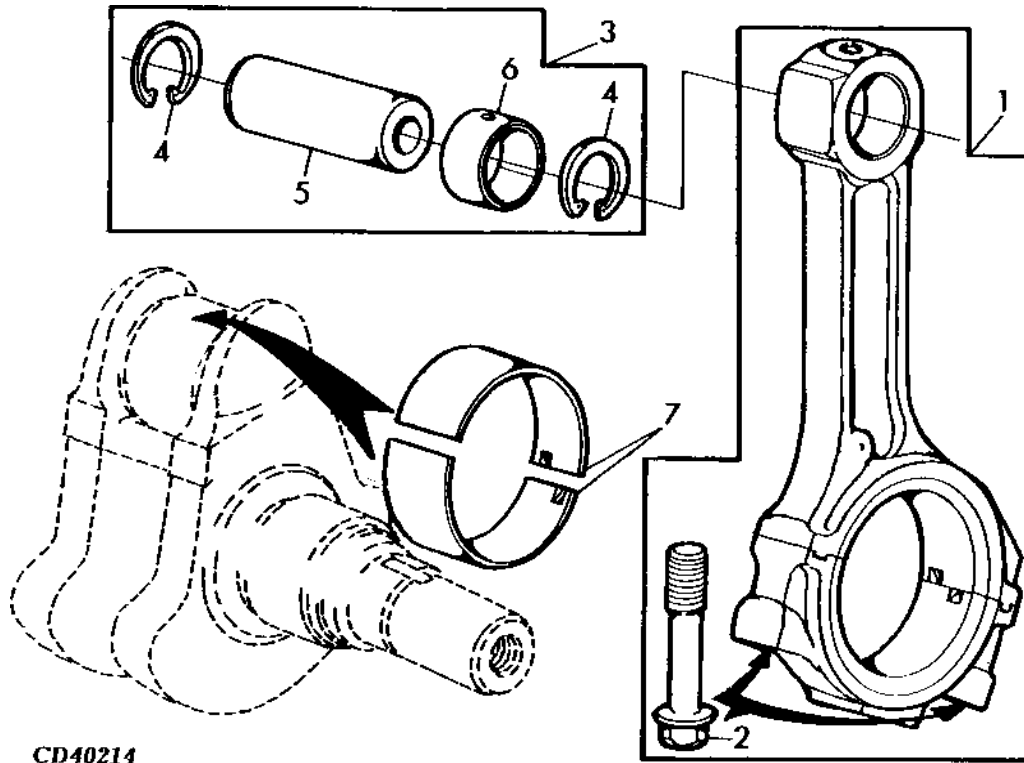
KEY	PART NO.	PART NAME	QTY	ENGINE SERIAL NO.	0 0 3 3 9 9		REMARKS
					D	T	
1	RE24458	PISTON-LINER KIT	4		X		
	RE22678	PISTON-LINER KIT	4			X	
2	RE66820	PISTON RING KIT	1		X	X	PACKG (3)
3	.....	PISTON	1		X		MARKED RE19282, ORD RE24458
	.....	PISTON	1			X	MARKED RE48368, ORD RE22678
4	R131575	CYLINDER LINER	1		X	X	A = 196MM
5	AR65507	O-RING KIT	1		X	X	PACKG (3)
6	CD15466	SHIM	AR		X	X	TK 0.05MM
	R65833	SHIM	AR		X	X	TK 0.10MM

# 1K13

ENGINE BASE (039)

CD40214 -UN-23MAY95

9709



CD40214

0 0  
3 3  
9 9  
D T

KEY	PART NO.	PART NAME	QTY	ENGINE SERIAL NO.	REMARKS
1	RE21076	CONNECTING ROD	4	X	(MARKED R80034)
	RE42733	CONNECTING ROD	4	X	(MARKED R80034)
2	R80033	SCREW	2	X X	
3	RE63914	PISTON PIN	4	X	KIT
	RE63913	PISTON PIN	4	X	KIT
4	M41029	SNAP RING	2	X	PACKG (6)
	R54114	SNAP RING	2	X	PACKG (6)
5	.....	PISTON PIN	1	X	OD 35MM, ORD RE63914
	.....	PISTON PIN	1	X	OD 41MM, ORD RE63913
6	.....	BUSHING	1	X	ORD RE63914
	.....	BUSHING	1	X	ORD RE63913
7	.....	BEARING	4	X	MARKED T20011, STD, ORDER RE27348
	RE27348	BEARING	4	X	(KIT (2) R83379) STD
	RE27349	BEARING	AR	X X	(A) (KIT (2) R87748) US -0.254MM

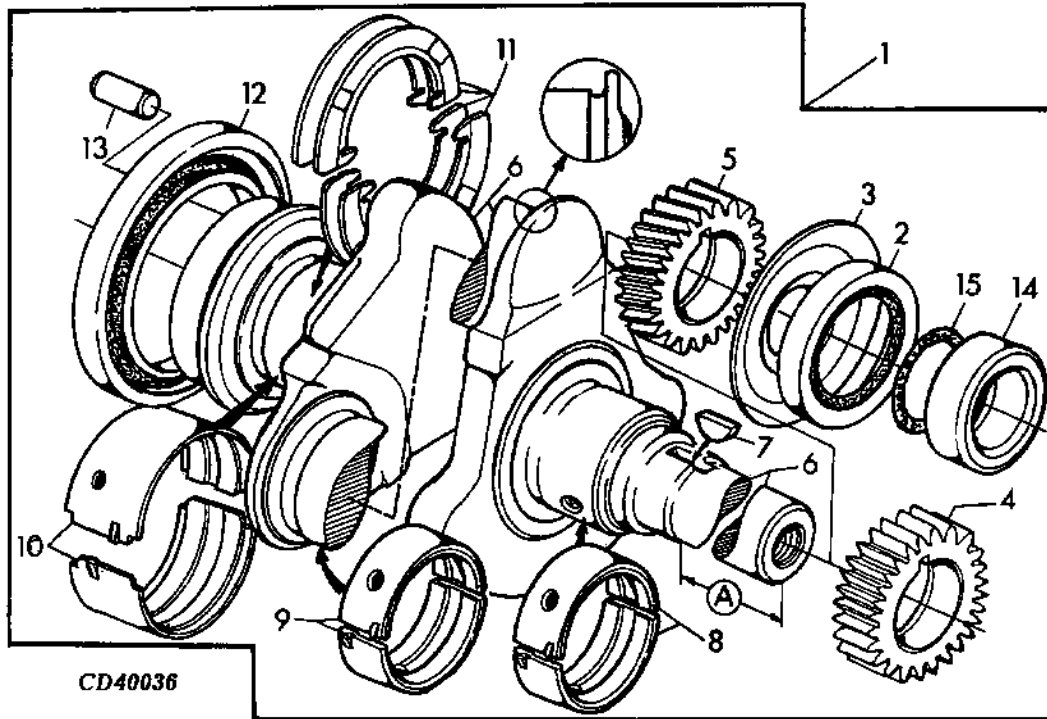
(A) GRINDING GUIDELINE : CTM3274

# 1K14

ENGINE BASE (039)

CD40036 -UN-26MAR96

9710



CD40036

KEY	PART NO.	PART NAME	QTY	ENGINE SERIAL NO.	0 3 9 D & T	REMARKS
1	RE65224	CRANKSHAFT	1		X	KIT
2	AR67942	SEAL	1		X	FRONT
3	T20046	OIL SLINGER	1		X	
4	.....	SPUR GEAR	NA		X	Z = 24
5	T20094	HELICAL GEAR	1		X	Z = 24
6	.....	CRANKSHAFT	1		X	(A) A = 60MM, MARKED R121018, ORD RE65224
7	26H72	SHAFT KEY	1		X	1/8" X 5/8"
8	RE27352	BEARING	4		X	ID STD, (KIT (2) T23214)
9	RE27348	BEARING	4		X	ID STD, (KIT (2) R83379)
10	RE60350	BEARING	1		X	ID STD, (KIT (2) R121413)
11	RE13571	THRUST WASHER	1		X	TK STD, (KIT (4) R78598)
12	RE44574	SEAL	1		X	REAR
13	A120R	DOWEL PIN	1		X	
14	R81989	SLEEVE	1		X	
15	H35244	O-RING	1		X	

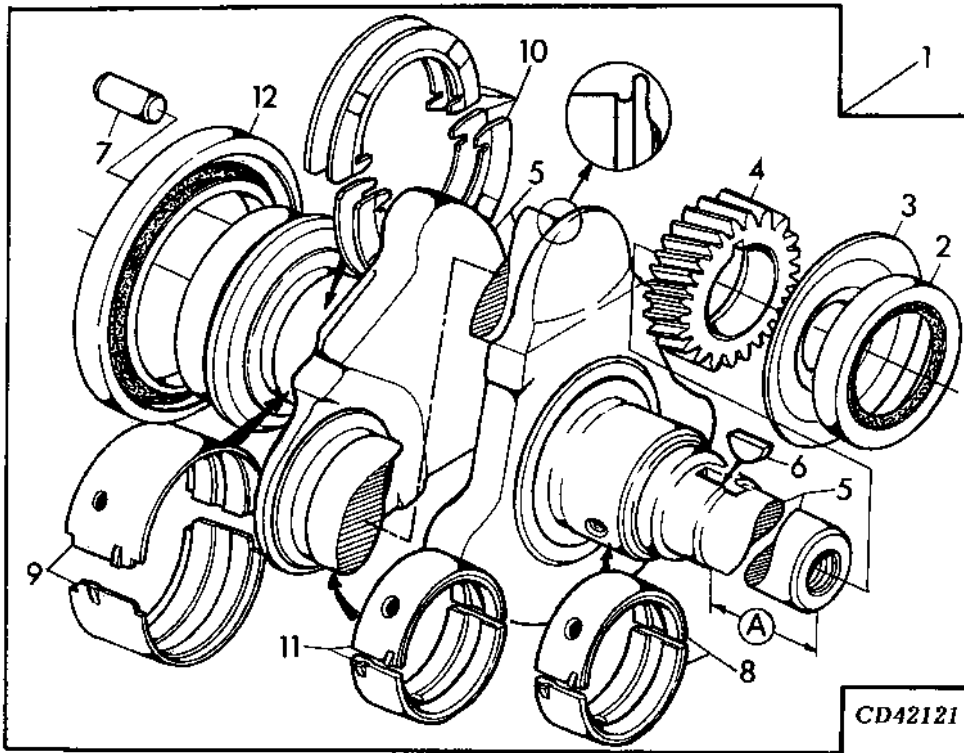
(A) GRINDING GUIDELINES : SEE CTM8 OR CTM3274

# 1K15

ENGINE BASE (039)

CD42121 -UN-13MAR98

9711



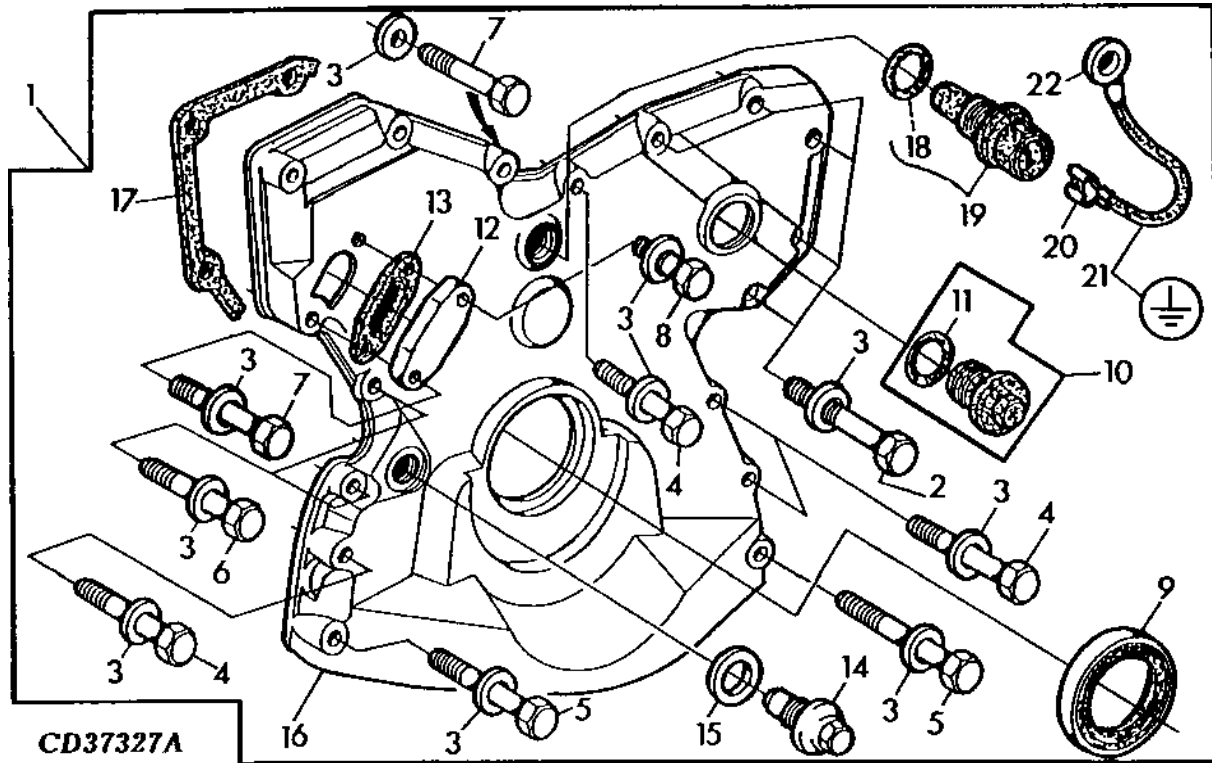
KEY	PART NO.	PART NAME	QTY	ENGINE SERIAL NO.	0 3 9 D & T	REMARKS
1	DD15070	CRANKSHAFT	AR		X	KIT , W/O KEY 3, (ALSO ORDER R100850)
2	AR67942	SEAL	1		X	FRONT
3	T20046	OIL SLINGER	AR		X	
4	.....	HELICAL GEAR	NA		X	Z = 24
5	.....	CRANKSHAFT	1		X	A = 60MM, MARKED "R", ORD DD15070
6	26H72	SHAFT KEY	1		X	1/8" X 5/8"
7	R48685	DOWEL PIN	1		X	
8	RE27353	BEARING	4		X	ID -0.254MM, (KIT (2) R87750)
9	RE27351	BEARING	1		X	ID -0.254MM, (KIT (2) R87749)
10	RE13571	THRUST WASHER	1		X	TK = STANDARD, (KIT (4) R78598)
11	RE27349	BEARING	4		X	ID -0.254MM, (KIT (2) R87748) CONNECTING ROD
12	RE44574	SEAL	1		X	REAR

# 1K16

ENGINE BASE (039)

CD37327A -UN-20JUL95

9712



CD37327A

KEY	PART NO.	PART NAME	QTY	ENGINE SERIAL NO.	REMARKS
1	RE51527	KIT	AR		X INCL. INSTRUCTIONS
2	19H3065	CAP SCREW	5		X 3/8" X 2", (SAE 8)
3	24M7106	WASHER	16		X 10 X 18 X 2.500 MM
4	19H2733	CAP SCREW	4		X 3/8" X 2-3/8", (SAE 8)
5	19H3031	CAP SCREW	2		X 3/8" X 2-1/2", (SAE 8)
6	19H2549	CAP SCREW	2		X 3/8" X 1-7/8"
7	19H1726	CAP SCREW	2		X 3/8" X 2-1/4"
8	19H2284	CAP SCREW	1		X 3/8" X 7/8"
9	AR67942	SEAL	1		X
10	RE52977	DRAIN PLUG	1		X M42 X 2
11	51M7049	O-RING	1		X 38.600 X 2.900 MM
12	T23260	COVER	1		X
13	R97352	GASKET	1		X
14	R91692	PLUG	1		X
15	A4827R	WASHER	1		X
16	.....	COVER	1		X ALUMINIUM, MARKED R114217, ORD RE51527
17	R97454	GASKET	1		X
18	51M7044	O-RING	2		X 17.300 X 2.200 MM
19	RE38028	SENSOR	1		X
20	R65607	TERMINAL	1		X
21	TY16086	GROUND CABLE	1		X LGTH 30.5M, CUT TO LENGTH
22	R77491	TERMINAL	1		X

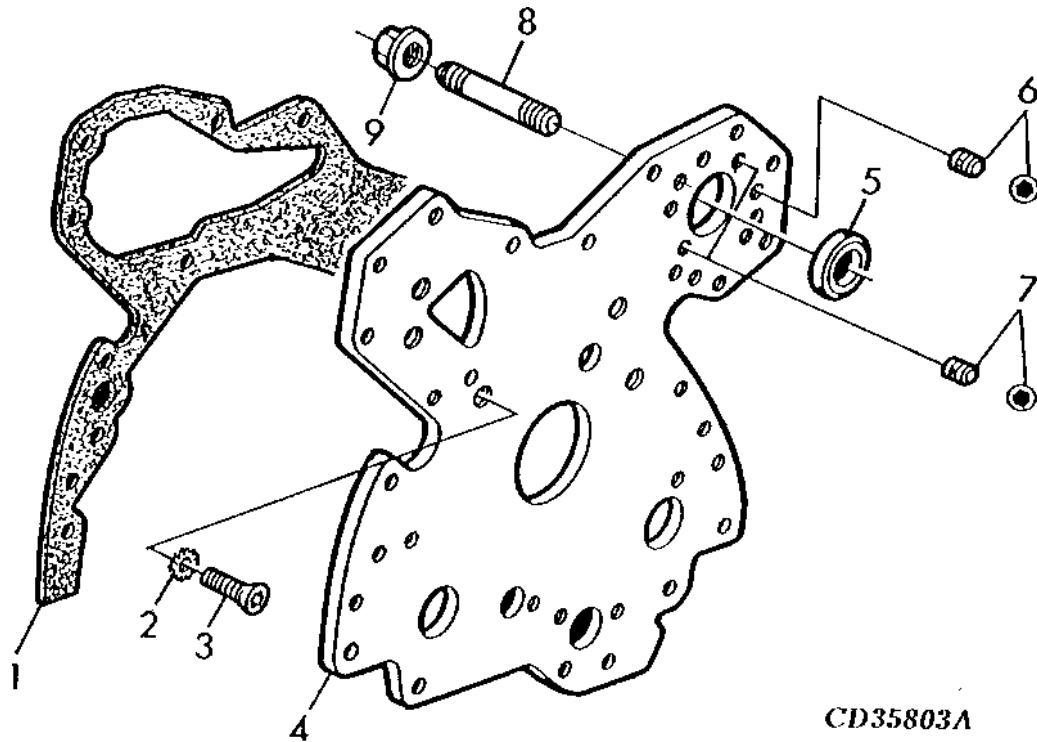
0  
3  
9  
D  
&  
T

# 1K17

ENGINE BASE (039)

CD35803A -UN-01JAN94

9713



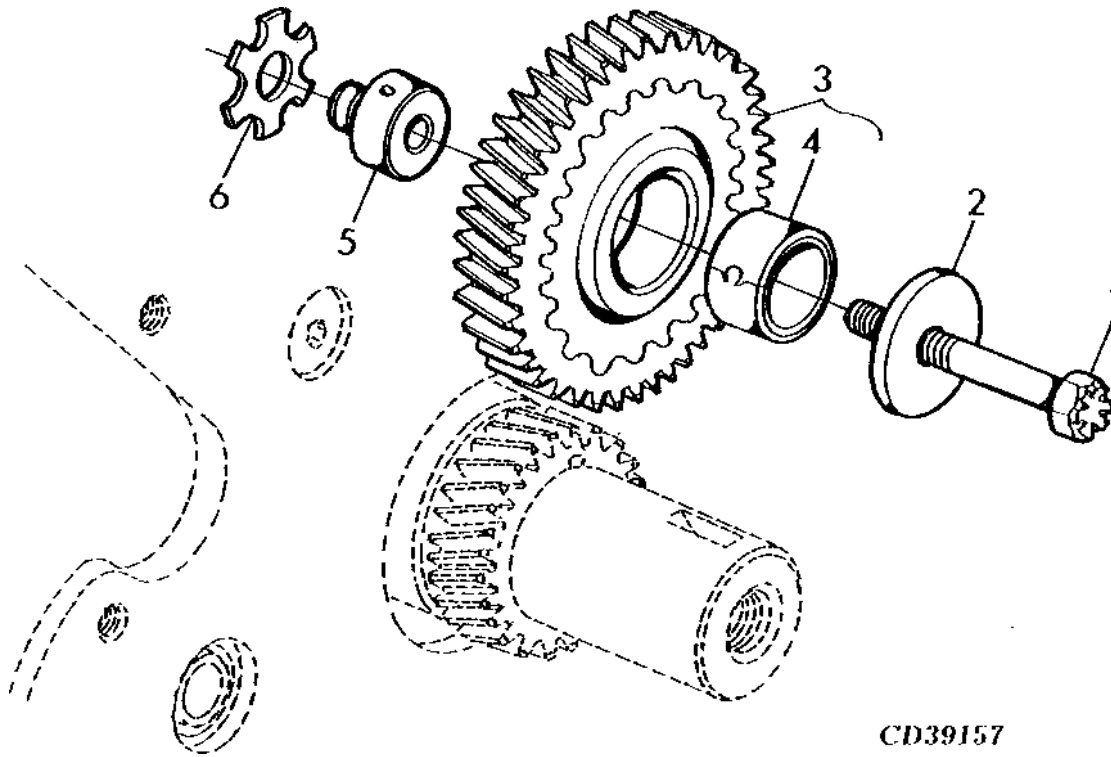
KEY	PART NO.	PART NAME	QTY	ENGINE SERIAL NO.	0 3 9 D & T	REMARKS
1	R131794	GASKET	1		X	
2	12H324	WASHER	5		X	3/8"
3	T20166	SCREW	5		X	
4	R79863	PLATE	1		X	(ALSO ORDER (8) AT21191 AND (2) AT22919)
5	R79854	WASHER	AR		X	OD X ID 50MM X 46MM
6	AT21191	SET SCREW	8		X	5/16" X 0.380"
7	AT22919	SET SCREW	2		X	3/8" X 0.380"
8	T23442	STUD	3		X	LGTH 36.6MM X 5/16"-24NS X 5/16"-18UNC
9	A22698	NUT	3		X	5/16"-18UNC

# 1K18

ENGINE BASE (039)

CD39157 -UN-01JAN94

9714



CD39157

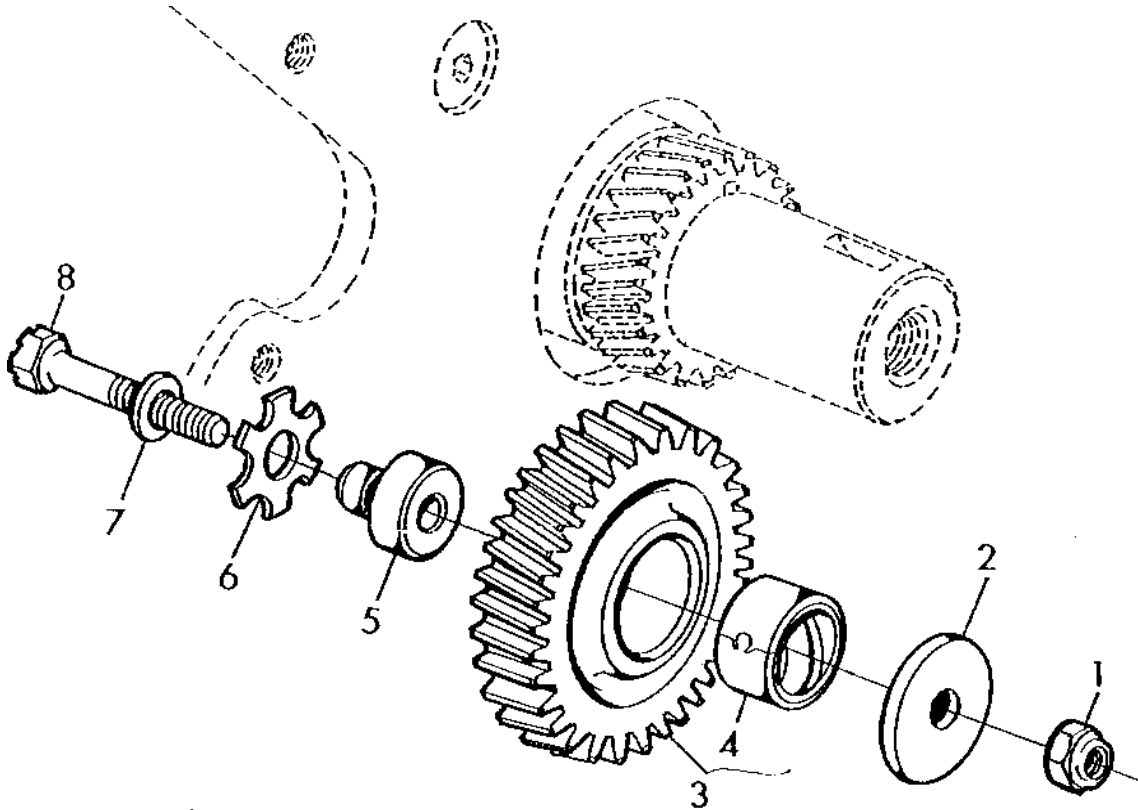
KEY	PART NO.	PART NAME	QTY	ENGINE SERIAL NO.	0 3 9 D & T	REMARKS
1	T26327	SCREW	1		X	
2	R101227	THRUST WASHER	1		X	14.7 X 57.9 X 4MM, FRONT
3	AR91660	HELICAL GEAR	1		X	(MARKED R70182) Z = 55
4	T20034	BUSHING	1		X	
5	R109863	PIN	1		X	OD 44.5MM
6	R101225	THRUST WASHER	1		X	22 X 60 X 3MM, REAR

# 1K19

ENGINE BASE (039)

CD39158 -UN-01JAN94

9715



CD39158

0  
3  
9  
D  
&  
T

KEY	PART NO.	PART NAME	QTY	ENGINE SERIAL NO.	REMARKS
1	14H865	NUT	1		X 1/2"-20UNF
2	R101227	THRUST WASHER	1		X 14.7 X 57.9 X 4MM, FRONT
3	AT24252	HELICAL GEAR	1		X (MARKED T26322) Z = 45
4	T26321	BUSHING	1		X
5	R109863	PIN	1		X OD 44.5MM
6	R101225	THRUST WASHER	1		X 22MM X 60MM, REAR
7	R100105	WASHER	1		X 13.5 X 30 X 3MM, REAR
8	19H3011	CAP SCREW	1		X 1/2" X 2-1/8", (SAE 8)

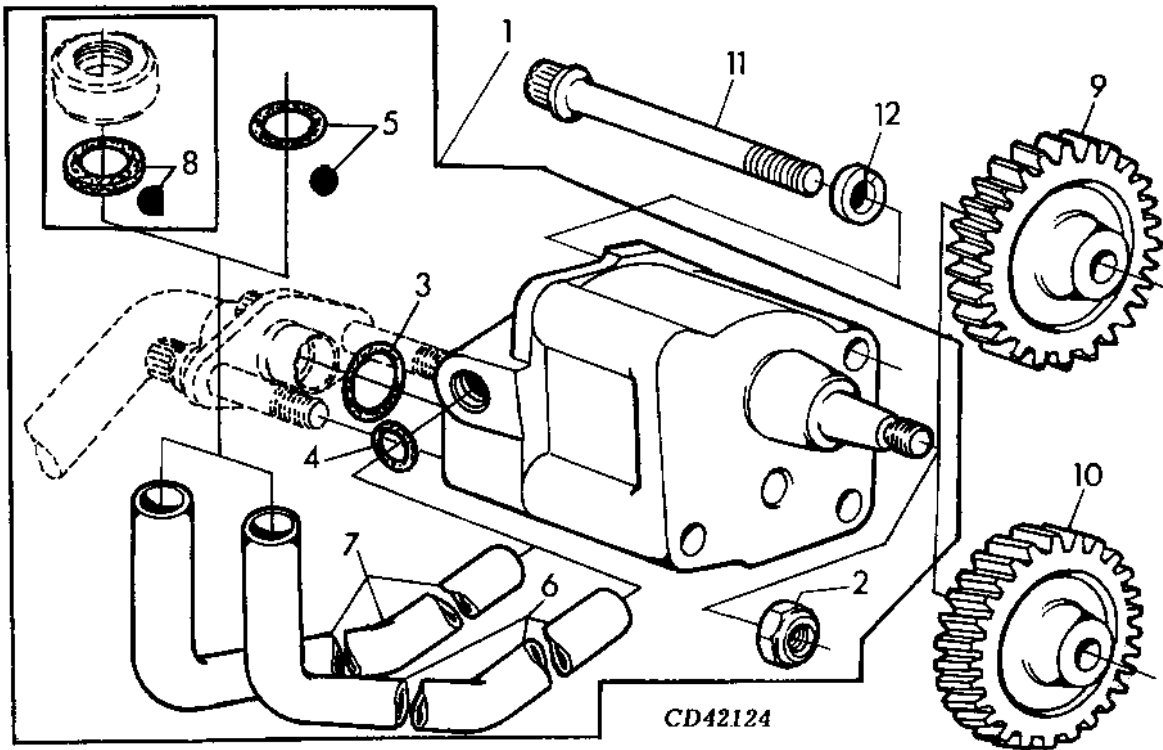


# 1K20

ENGINE BASE (039)

CD42124 -UN-17MAR98

9716



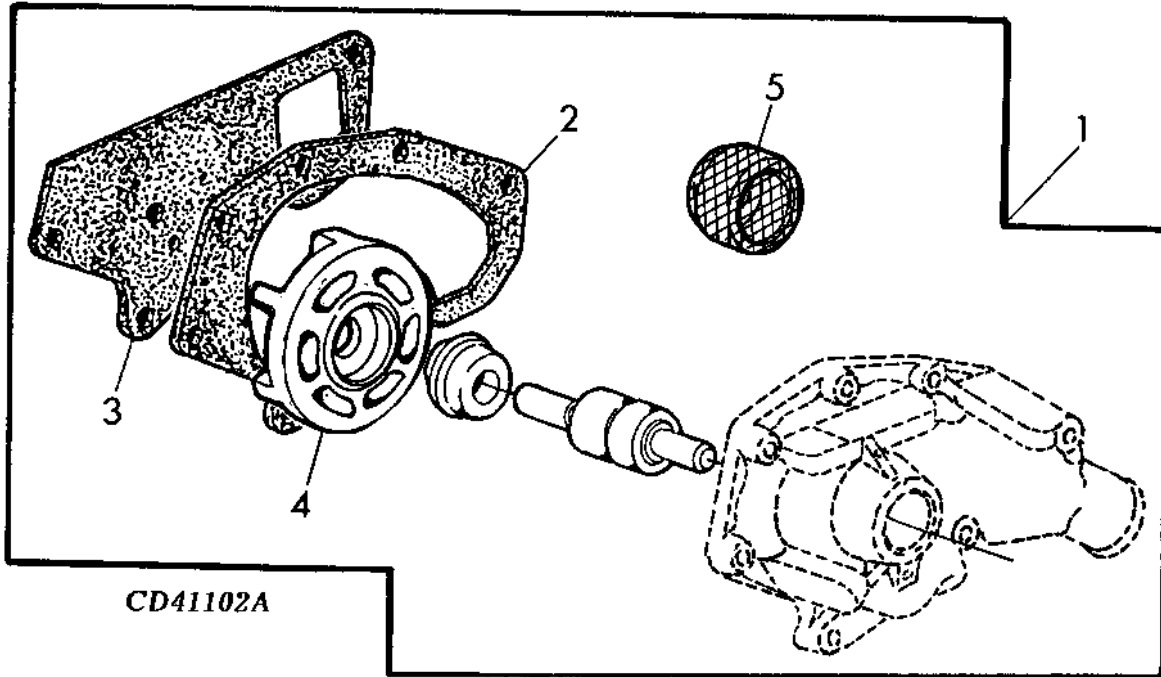
KEY	PART NO.	PART NAME	QTY	ENGINE SERIAL NO.	0 3 9 D & T	REMARKS
1	RE52020	KIT	1		X	
2	14H826	NUT	1		X	1/2"-13UNC
3	R61871	O-RING	1		X	
4	R74354	O-RING	1		X	
5	R97185	O-RING	AR		X	
6	R113752	OIL TUBE	NA		X	W/ COLOR MARK
7	R115280	OIL TUBE	1		X	APPL
8	R75892	O-RING	AR		X	
9	.....	SPUR GEAR	NA		X	Z = 33
10	T20298	HELICAL GEAR	1		X	Z = 33
11	R57059	CAP SCREW	1		X	LGTH 70MM
12	12H304	LOCK WASHER	1		X	3/8"

# 1K21

ENGINE BASE (039)

CD41102A -UN-16SEP98

9717



KEY	PART NO.	PART NAME	QTY	ENGINE SERIAL NO.	0 3 9 D & T	REMARKS
1	RE62658	KIT	AR		X	WITH INSTALLATION INSTRUCTIONS
2	R97455	GASKET	1		X	
3	T20243	GASKET	1		X	
4	.....	IMPELLER	1		X	CAST IRON, MARKED T30897, ORD RE62658
5	R134742	TOOL	1		X	

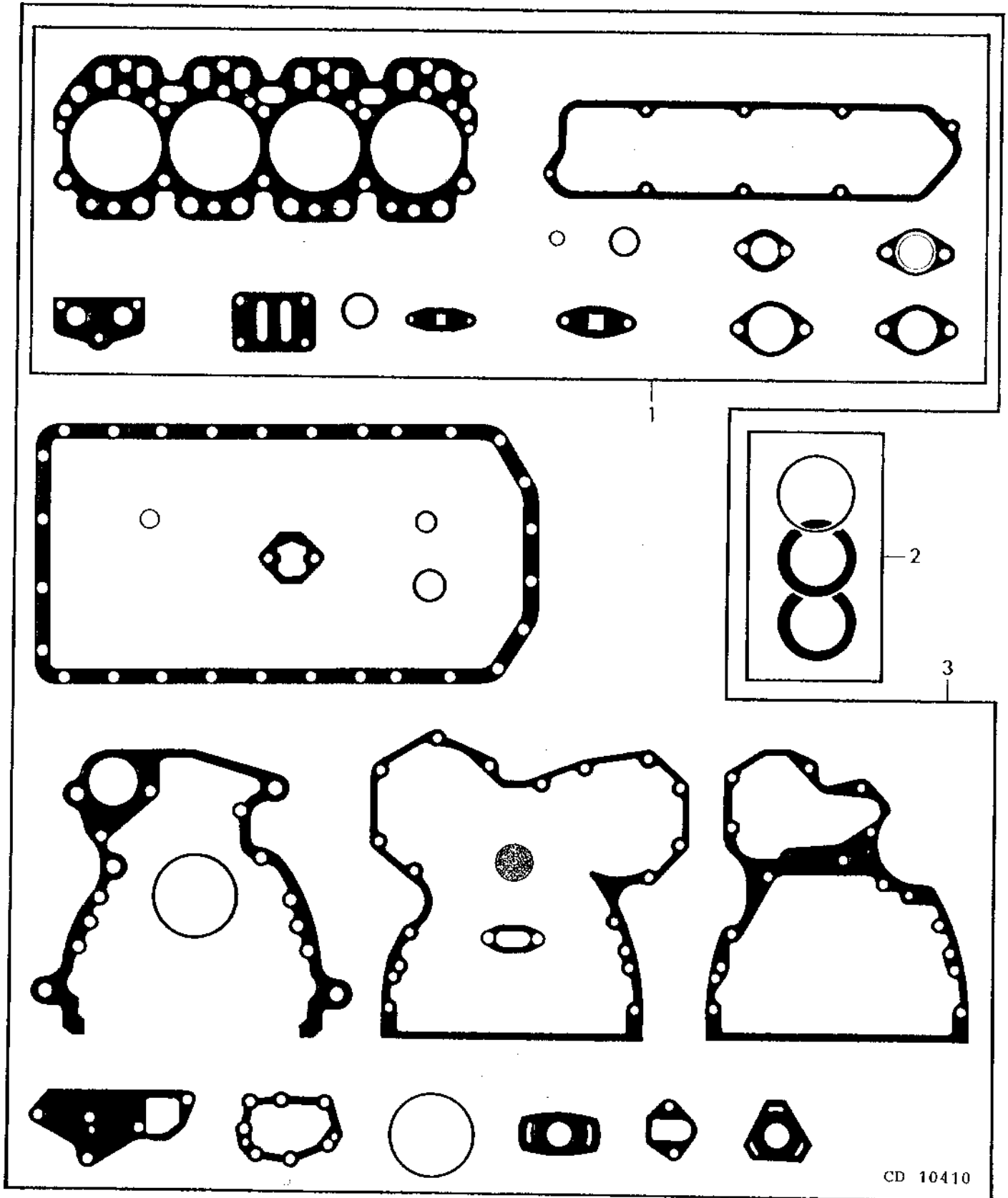
# 1K22

ENGINE BASE (039)

CD10410

-UN-01JAN94

9718



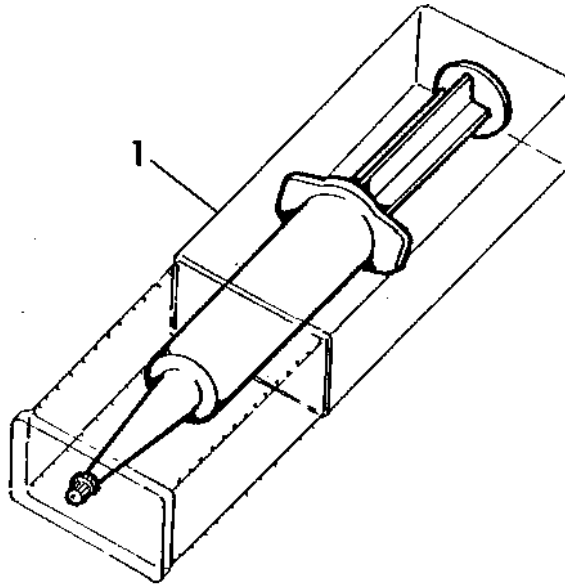


# 1K24

ENGINE BASE (039)

CD35696 -UN-01JAN94

9720



**CD35696**

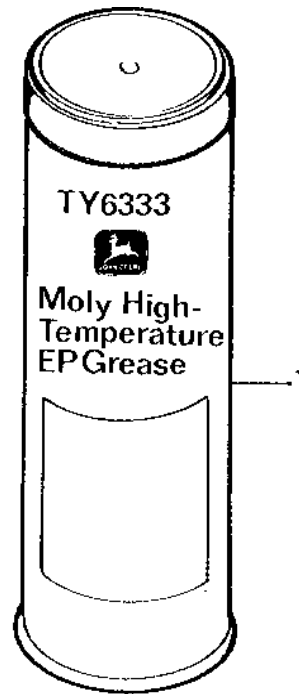
KEY	PART NO.	PART NAME	QTY	ENGINE SERIAL NO.	0 3 9 D & T	REMARKS
1	DD15664	LIQUID GASKET	AR		X	KIT

# 1K25

ENGINE BASE (039)

CD39055 -UN-01JAN94

9721



CD39055

KEY	PART NO.	PART NAME	QTY	ENGINE SERIAL NO.	0 3 9 D & T	REMARKS
1	TY6333	GREASE	AR		X	397 G (14 OZ)

# 1L1

ENGINE BASE (039)

TP6956 -UN-01JAN94

9722



TP6956

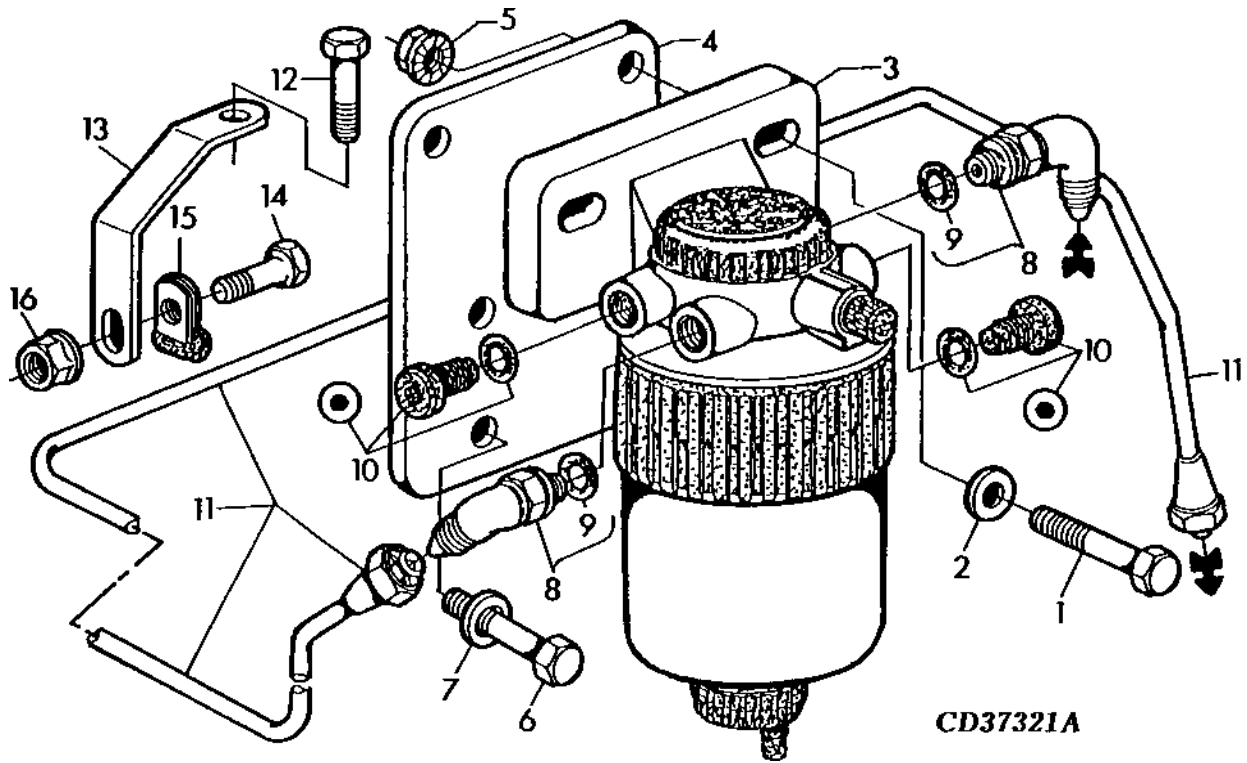
KEY	PART NO.	PART NAME	QTY	ENGINE SERIAL NO.	0 3 9 D & T	REMARKS
1	EPH76215-005	COOL-GARD	AR		X	5L
	EPH76215-025	COOL-GARD	AR		X	25L
	EPH76215-050	COOL-GARD	AR		X	50L
	EPH76215-200	COOL-GARD	AR		X	200L

# 1L2

ENGINE BASE (039)

CD37321A -UN-20JUL95

9723



CD37321A

KEY	PART NO.	PART NAME	QTY	ENGINE SERIAL NO.	0 3 9 D & T	REMARKS
1	19H1732	CAP SCREW	2		X	3/8" X 1-1/4"
2	24M7106	WASHER	2		X	10 X 18 X 2.500 MM
3	.....	FUEL FILTER	1		X	
4	R119988	BRACKET	1		X	
5	N10215	LOCK NUT	2		X	3/8"
6	19H2284	CAP SCREW	2		X	3/8" X 7/8"
7	12H304	LOCK WASHER	2		X	3/8"
8	AT32333	ELBOW FITTING	2		X	1/2"-20UNF X 1/2"-20UNF
9	R26286	O-RING	2		X	
10	RE62158	PIPE PLUG	2		X	1/2"-20UNF
11	RE56667	FUEL LINE	1		X	
12	19H2021	CAP SCREW	1		X	3/8" X 5/8"
13	R120966	BRACKET	1		X	
14	19H2664	CAP SCREW	1		X	5/16" X 3/4", (SAE 8)
15	T13914	CLAMP	1		X	
16	A22698	NUT	1		X	5/16"

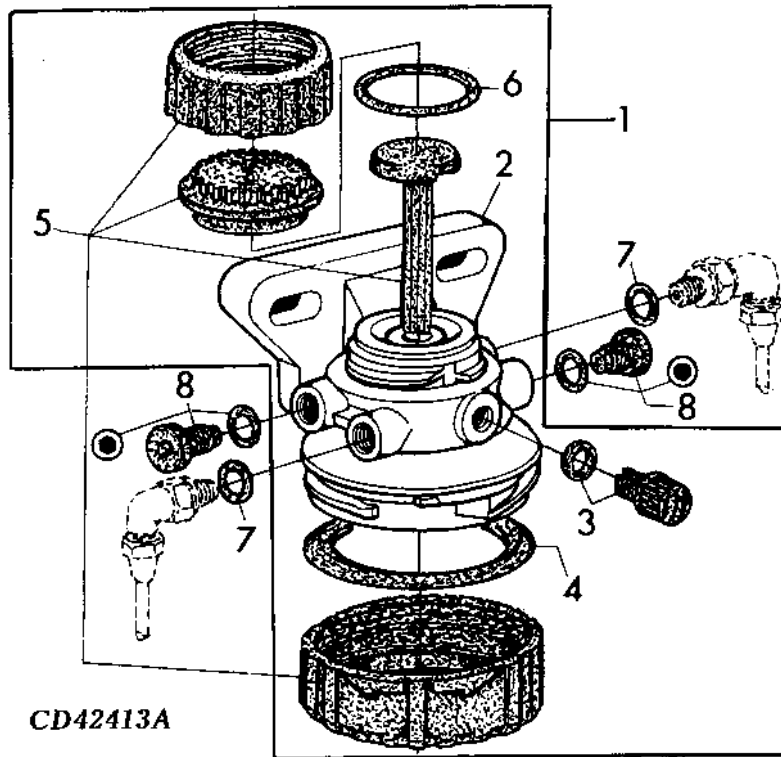


# 1L3

ENGINE BASE (039)

CD42413A -UN-18NOV98

9724



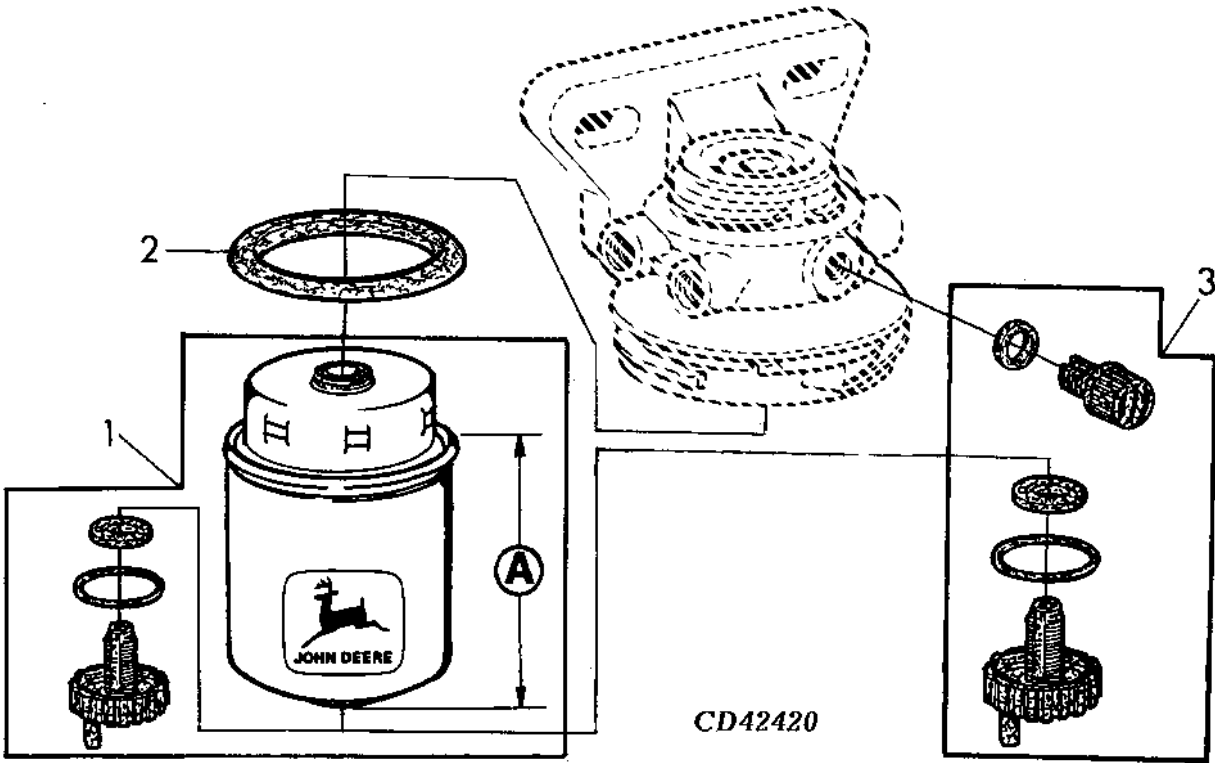
KEY	PART NO.	PART NAME	QTY	ENGINE SERIAL NO.	0 3 9 D & T	REMARKS
1	.....	KIT	1		X	(ALSO ORDER (2) R26286 AND (2) RE62158)
2	.....	FILTER HEAD	1		X	
3	.....	DRAIN PLUG	1		X	ORD RE60854
4	R113565	PACKING	1		X	
5	.....	RETAINER	1		X	ORD RE51649
6	.....	O-RING	1		X	ORD RE50752
7	R26286	O-RING	2		X	
8	RE62158	PIPE PLUG	2		X	1/2"-20UNF

# 1L4

ENGINE BASE (039)

CD42420 -UN-03MAR98

9725



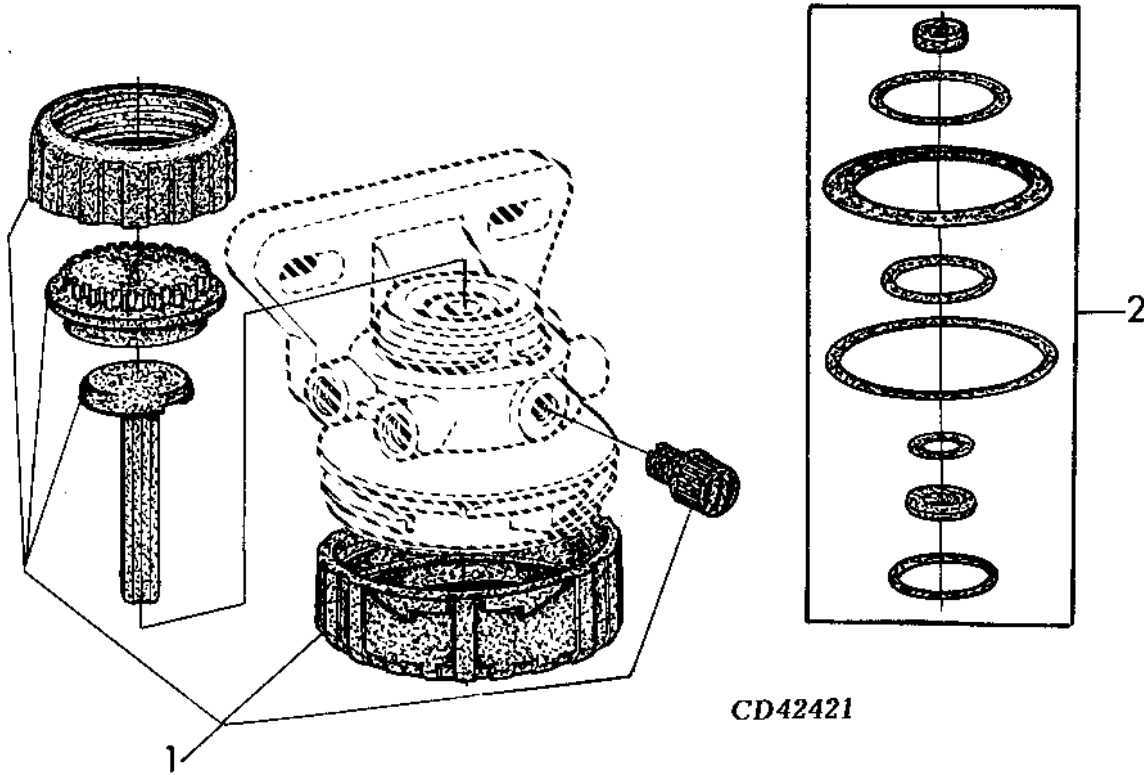
KEY	PART NO.	PART NAME	QTY	ENGINE SERIAL NO.	REMARKS
1	RE60021	FUEL FILTER	1	0	X A = 71MM, (ALSO ORDER R113565) X X
2	R113565	PACKING	1	3	
3	RE60854	KIT	1	9	
				D	
				&	
				T	

# 1L5

ENGINE BASE (039)

CD42421 -UN-03MAR98

9726



CD42421

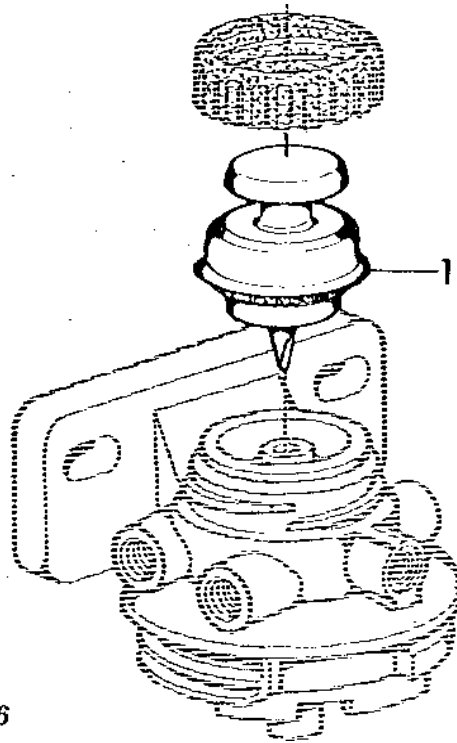
KEY	PART NO.	PART NAME	QTY	ENGINE SERIAL NO.	0 3 9 D & T	REMARKS
1	RE51649	KIT	AR		X	INCL. INSTRUCTIONS
2	RE50752	SEAL KIT	AR		X	

# 1L6

ENGINE BASE (039)

CD39026 -UN-01JAN94

9727



CD39026

KEY	PART NO.	PART NAME	QTY	ENGINE SERIAL NO.	0 3 9 D & T	REMARKS
1	RE50467	HAND PRIMER	1		X	(A)

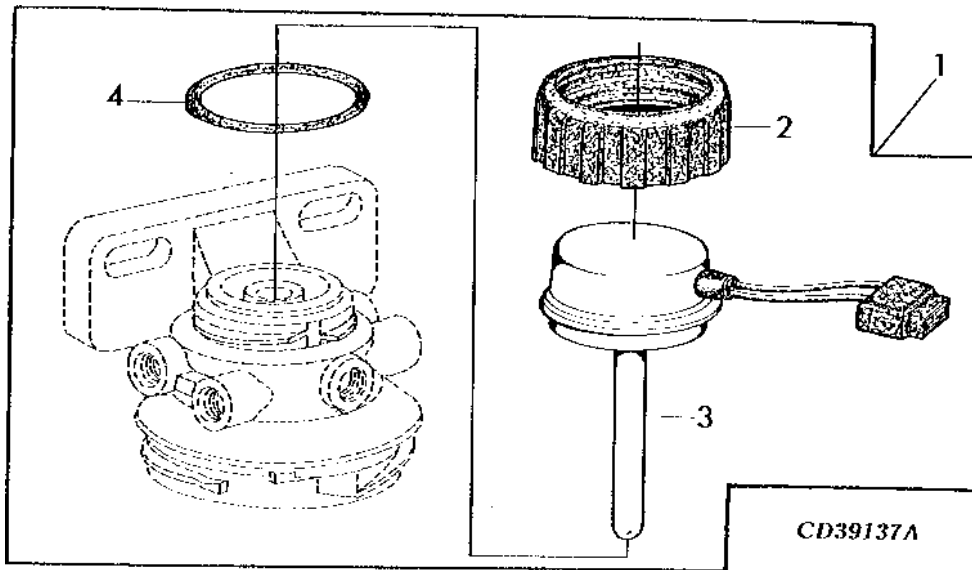
(A) ACCESSORY

# 1L7

ENGINE BASE (039)

CD39137A -UN-01JAN94

9728



KEY	PART NO.	PART NAME	QTY	ENGINE SERIAL NO.	0 3 9 D & T	REMARKS
1	RE51648	KIT	AR		X	(A) INCL. INSTRUCTIONS
2	.....	WING NUT	1		X	ORD KIT RE51649
3	.....	HEATER	1		X	(12V - 150W) ORD KIT RE51648
4	.....	O-RING	1		X	ORD KIT RE50752

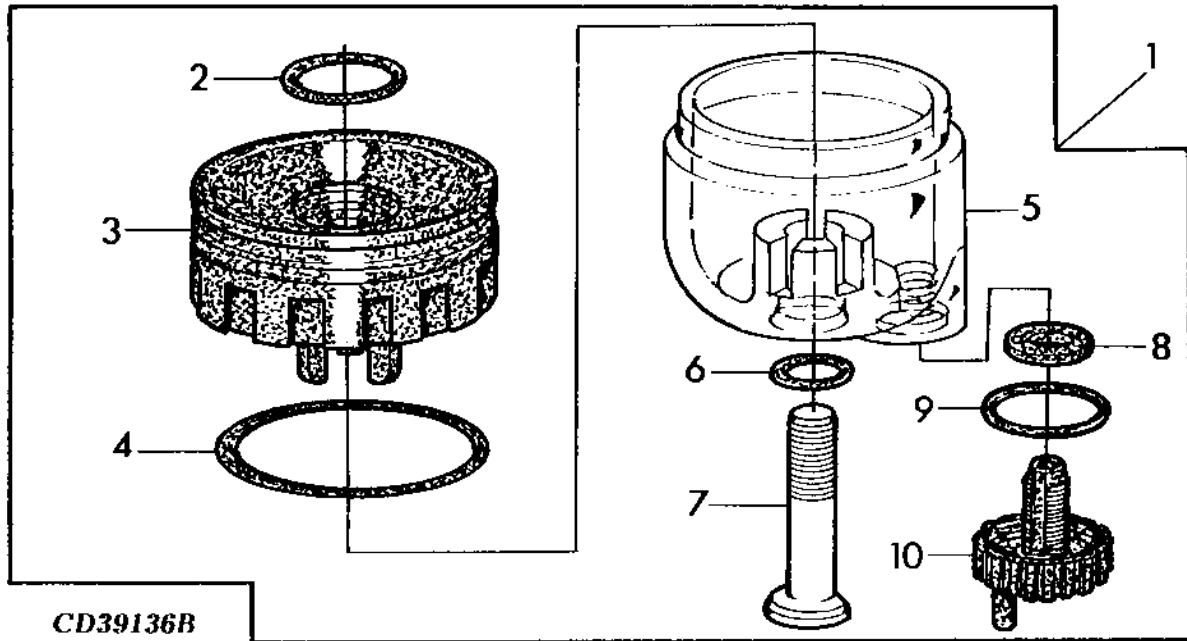
(A) ACCESSORY

# 1L8

ENGINE BASE (039)

CD39136B -UN-15FEB96

9729



KEY	PART NO.	PART NAME	QTY	ENGINE SERIAL NO.	0 3 9 D & T	REMARKS
1	RE51650	SEDIMENT BOWL	AR		X	(A) KIT, INCL. INSTRUCTIONS
2	.....	O-RING	1		X	ORD KIT RE50752
3	.....	WING NUT	1		X	ORD KIT RE51650
4	.....	O-RING	1		X	ORD KIT RE50752
5	.....	SEDIMENT BOWL	1		X	ORD KIT RE51650
6	.....	O-RING	1		X	ORD KIT RE50752
7	.....	SCREW	1		X	ORD KIT RE51650
8	.....	GASKET	1		X	ORD KIT RE60854
9	.....	O-RING	1		X	ORD KIT RE60854
10	.....	DRAIN PLUG	1		X	ORD KIT RE60854

(A) ACCESSORY

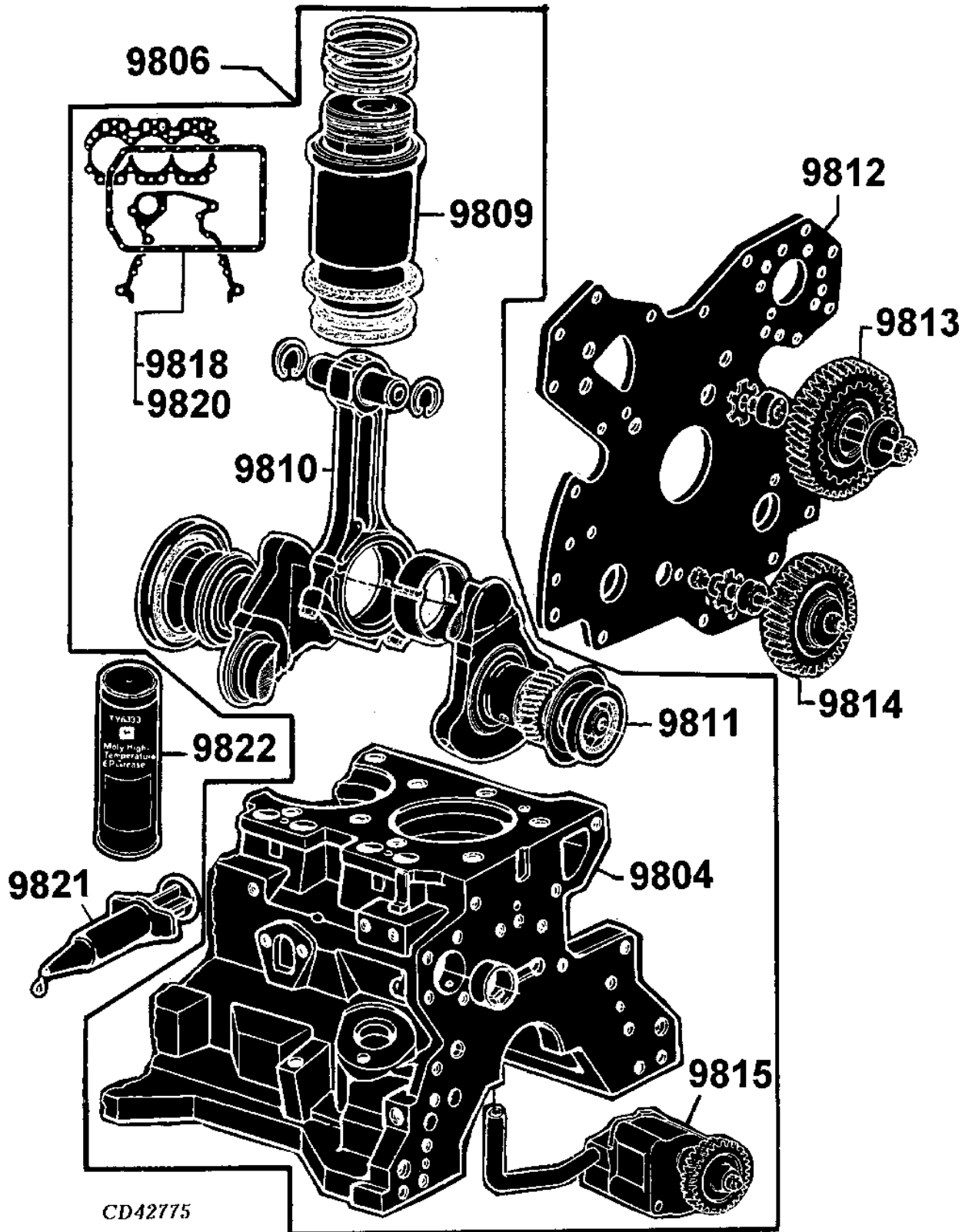
MEMORANDA

# 2B3

ENGINE BASE (045)

## SECTIONAL INDEX

CD42775 -UN-24FEB99



9801 -	2B5
9802 -	2B6
9803 -	2B7
9804 -	2B8
9806 -	2B10
9808 -	2B12
9809 -	2B13
9810 -	2B14
9811 -	2B15
9812 -	2B16
9813 -	2B17
9814 -	2B18
9815 -	2B19
9816 -	2B20
9818 -	2B21
9820 -	2B23
9821 -	2B24
9822 -	2B25
9823 -	2C1
9824 -	2C2
9825 -	2C3
9826 -	2C4
9827 -	2C5
9828 -	2C6
9829 -	2C7
9830 -	2C8

CD42775



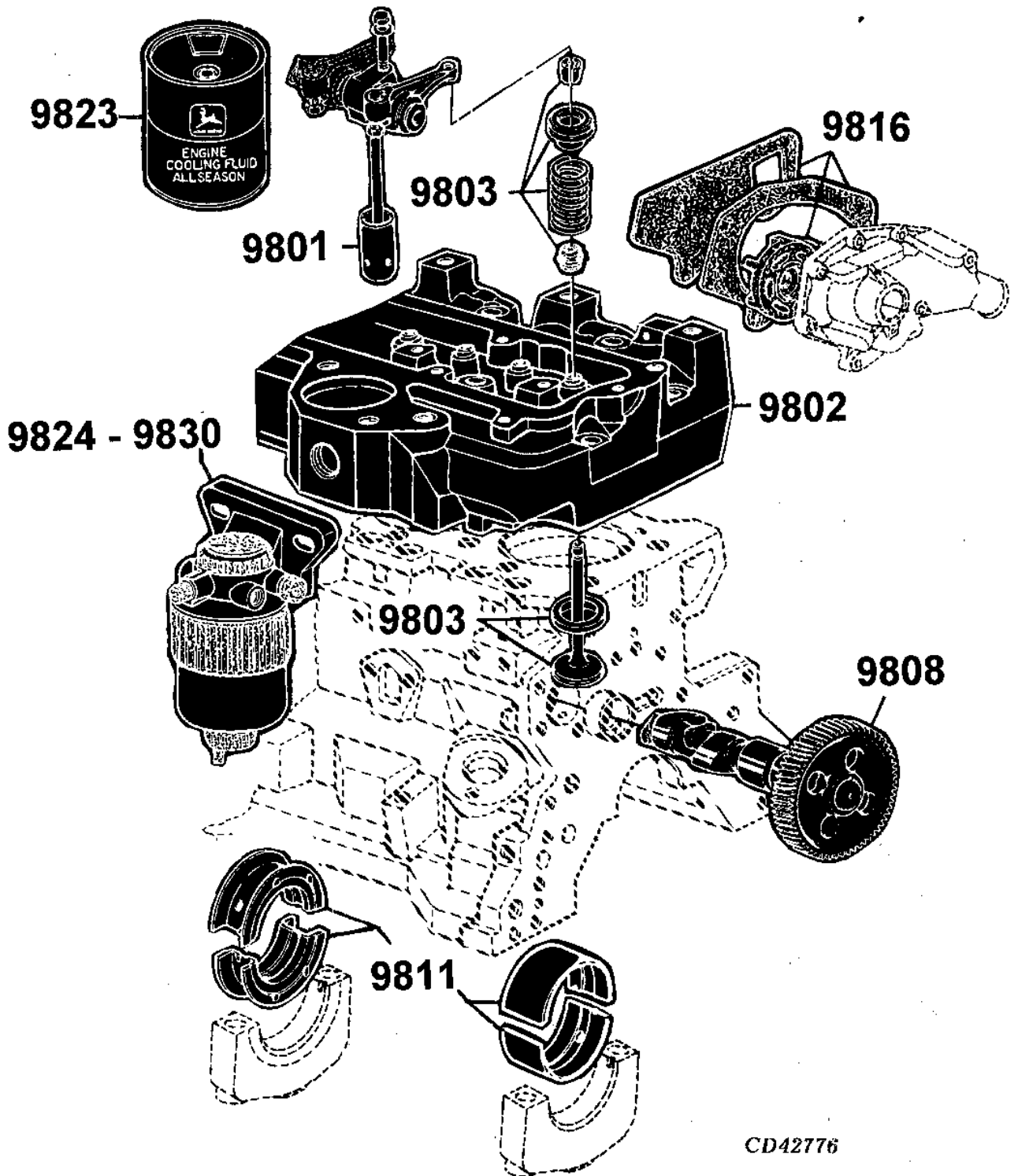
# 2B4

ENGINE BASE (045)

## SECTIONAL INDEX

CD42776 -UN-24FEB99

9801 -	2B5
9802 -	2B6
9803 -	2B7
9804 -	2B8
9806 -	2B10
9808 -	2B12
9809 -	2B13
9810 -	2B14
9811 -	2B15
9812 -	2B16
9813 -	2B17
9814 -	2B18
9815 -	2B19
9816 -	2B20
9818 -	2B21
9820 -	2B23
9821 -	2B24
9822 -	2B25
9823 -	2C1
9824 -	2C2
9825 -	2C3
9826 -	2C4
9827 -	2C5
9828 -	2C6
9829 -	2C7
9830 -	2C8



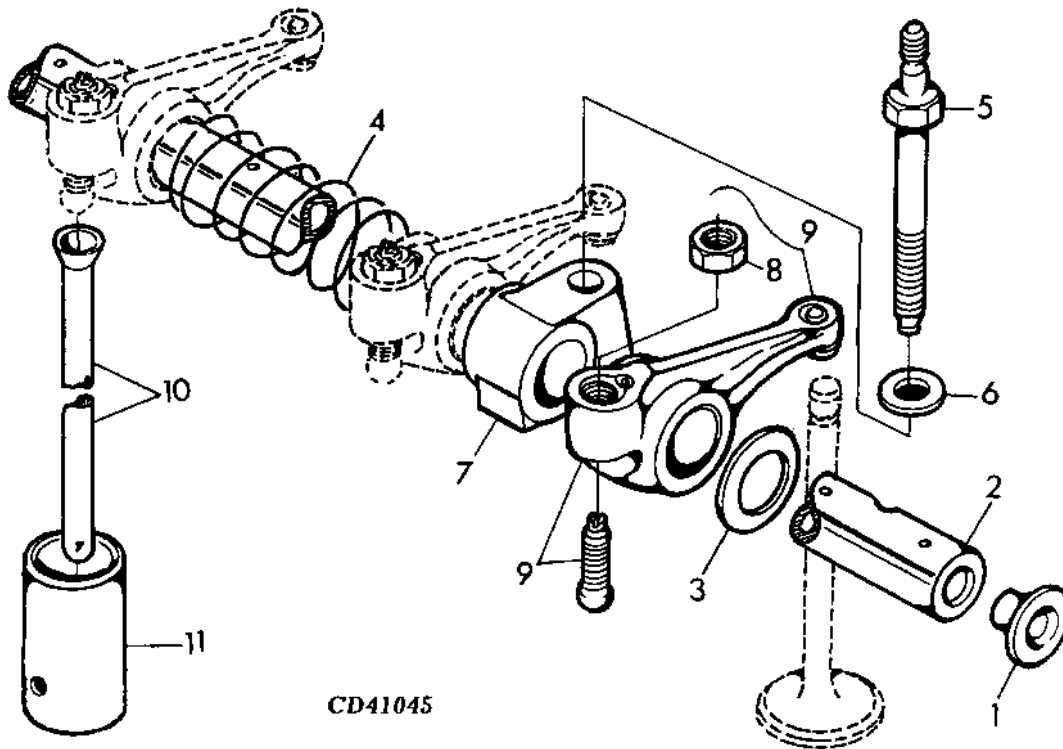
CD42776

# 2B5

ENGINE BASE (045)

CD41045 -UN-12JUN96

9801



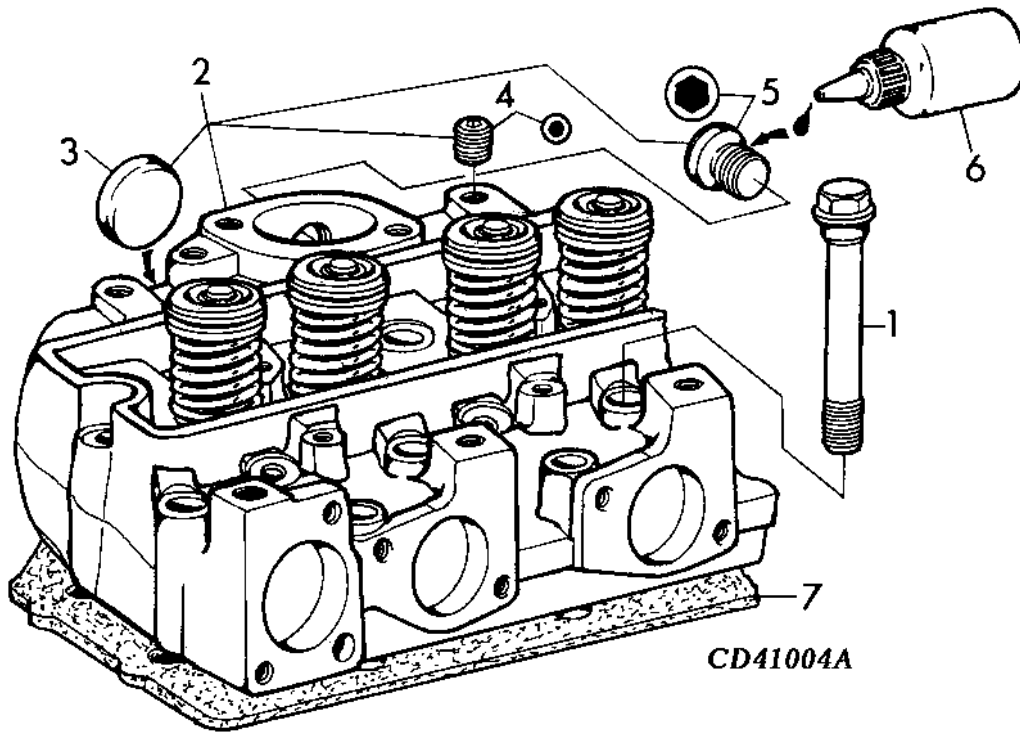
KEY	PART NO.	PART NAME	QTY	ENGINE SERIAL NO.	REMARKS
				0	
				4	
				5	
				T	
				&	
				H	
1	R54565	PLUG	2		X
2	R123513	ROCKER ARM SHAFT	1		X
3	T20316	WASHER	2		X
4	T20314	SPRING	3		X
5	R123271	STUD	4		X
6	R42729	WASHER	4		X
7	R123161	SUPPORT	4		X
8	14M7148	NUT	1		X M10
9	RE68695	ROCKER ARM	8		X
10	R107731	PUSH ROD	8		X
11	R123565	CAM FOLLOWER	8		X

# 2B6

ENGINE BASE (045)

CD41004A -UN-10JUN98

9802



KEY	PART NO.	PART NAME	QTY	ENGINE SERIAL NO.	REMARKS
1	R85363	CAP SCREW	18		X 12.7MM X 112MM
2	RE57234	CYLINDER HEAD	1		X (MARKED R121402) ASSY, INCL KEYS 3,4,5. HIGH SWIRL
3	CD16284	CAP	1		X OD 32.6MM, REAR
	CD16607	CAP	AR		X OD 34.3MM, REAR
	R43409	CAP	3		X OD 43.3MM
4	R104592	PIPE PLUG	AR		X 1/8"-27NPT
5	T58477	FITTING	1		X 7/8"-14UNF, (ALSO ORDER TY9374 OR TY9375) APPL
6	TY9374	SEALANT	AR		X LOCTITE 592, 6ML (0.2 OZ)
	TY9375	SEALANT	AR		X LOCTITE 592, 50ML (1.7 OZ)
7	R116515	ENGINE CYLINDER HEAD GASKET	1		X

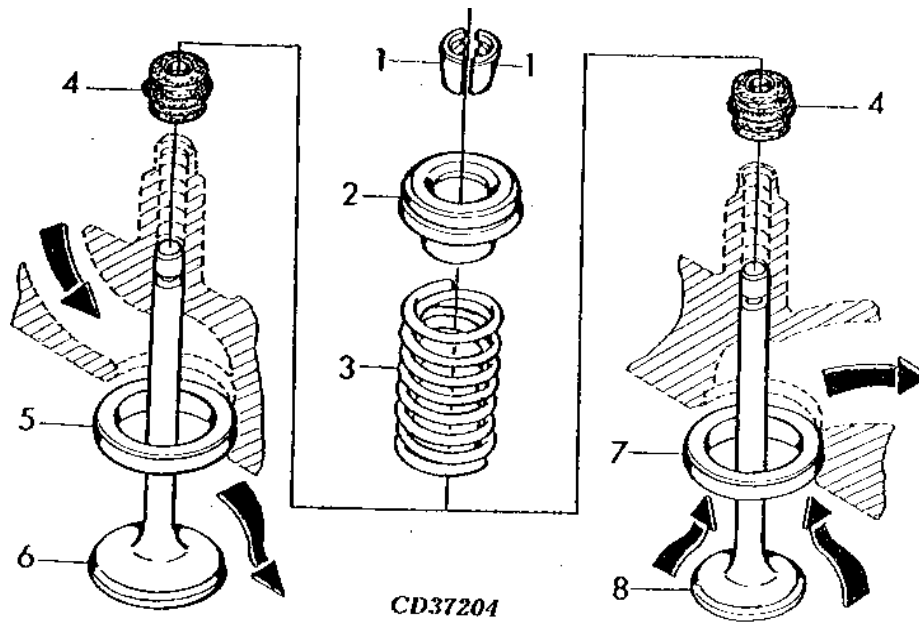
0  
4  
5  
T  
&  
H

# 2B7

ENGINE BASE (045)

CD37204 -UN-01JAN94

9803



CD37204

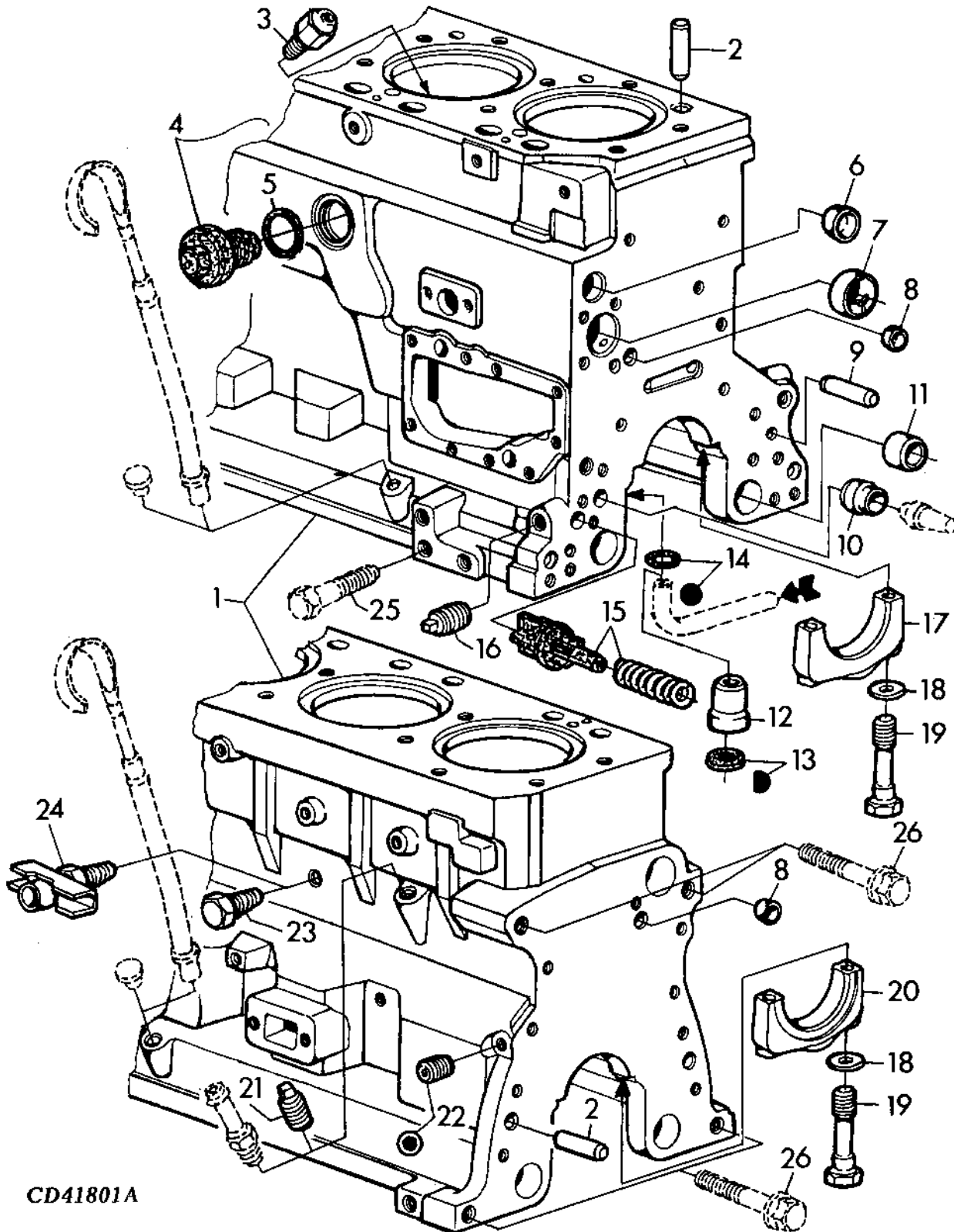
KEY	PART NO.	PART NAME	QTY	ENGINE SERIAL NO.	REMARKS
					0
					4
					5
					T
					&
					H
1	R91889	RETAINER	16		X
2	RE60005	ROTATOR	8		X
3	R26125	SPRING	8		X
4	RE31617	SEAL	8		X STD
5	R106831	VALVE SEAT INSERT	4		X
6	R98062	INTAKE VALVE	4		X STD
	R97490	INTAKE VALVE	AR		X OD +0.381MM
	R97491	INTAKE VALVE	AR		X OD +0.762MM
7	R106829	VALVE SEAT INSERT	4		X
8	R90692	EXHAUST VALVE	4		X STD
	R97492	EXHAUST VALVE	AR		X OD +0.381MM
	R97493	EXHAUST VALVE	AR		X OD +0.762MM

# 2B8

ENGINE BASE (045)

CD41801A -UN-08DEC98

9804



CD41801A

# 2B9

ENGINE BASE (045)

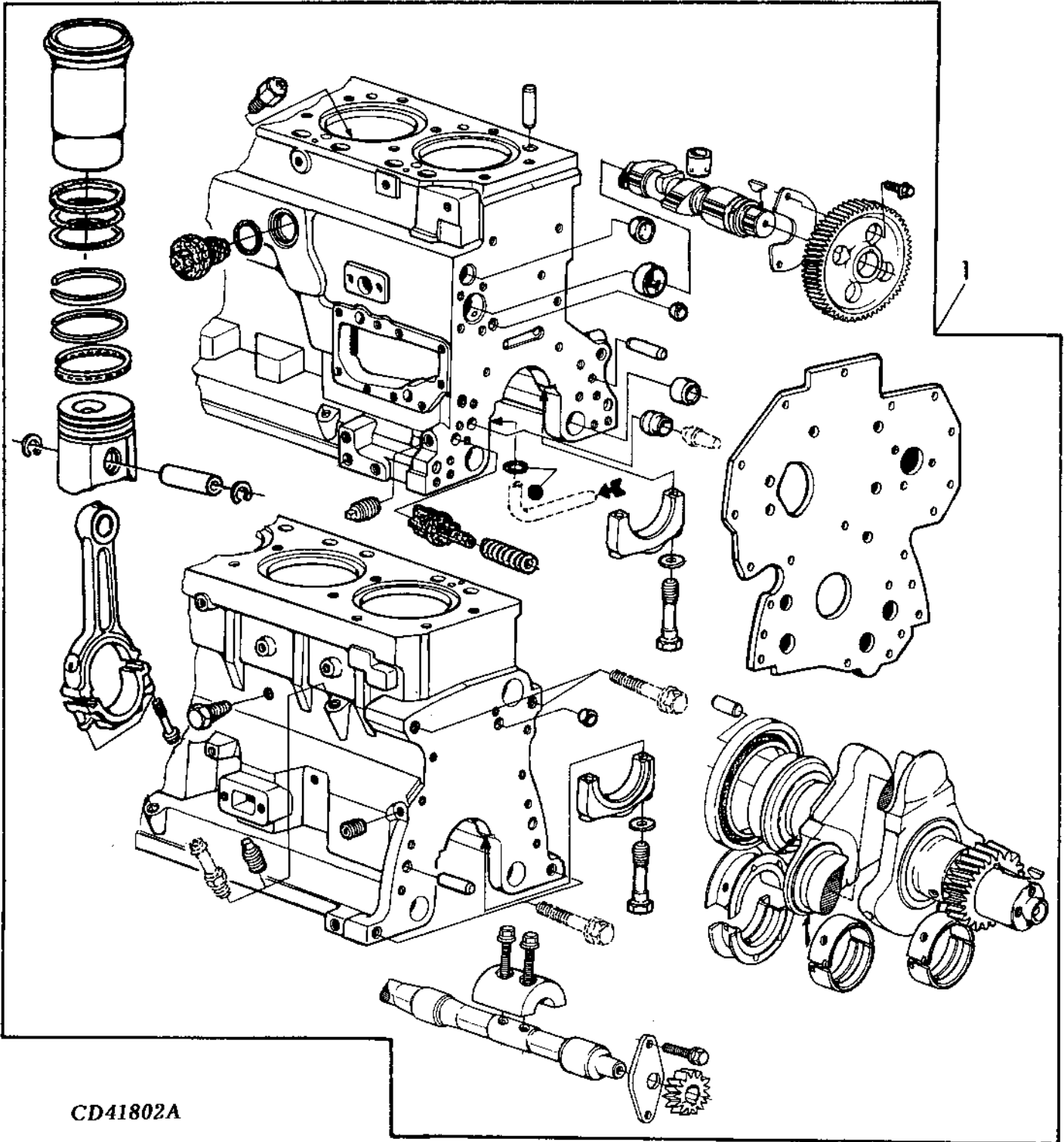
KEY	PART NO.	PART NAME	QTY	ENGINE SERIAL NO.	0 4 5 T & H	REMARKS
1	.....	CYLINDER BLOCK	1		X	MARKED R115081, ORD RE65957 + RE501455 + RE502269 + DD15664
2	A120R	DOWEL PIN	4		X	
3	R131182	ORIFICE	4		X	
4	RE502422	DRAIN PLUG	2		X	1-5/8"-12UN
5	R501377	O-RING	2		X	
6	R116466	PLUG	1		X	
7	R119874	BUSHING	1		X	(ALSO ORDER TY6333)
8	T18891	CAP	2		X	OD 16MM
9	B153R	DOWEL PIN	2		X	9.525 X 25.400MM
10	R26493	BUSHING	1		X	
11	R115299	BUSHING	6		X	
12	R115390	BUSHING	AR		X	FOR R75892
13	R75892	O-RING	AR		X	FOR R115390
14	R97185	O-RING	1		X	
15	RE63674	VALVE	1		X	KIT
16	15H623	PIPE PLUG	1		X	3/8"-18NPT
17	R114241	BEARING CAP	4		X	
18	T20168	WASHER	10		X	
19	T23474	CAP SCREW	10		X	
20	R132186	BEARING CAP	1		X	REAR
21	15H584	PIPE PLUG	AR		X	1/2"-14NPT
22	R104592	PIPE PLUG	5		X	1/8"-27NPT
23	R55233	PIPE PLUG	1		X	1/4"-18NPT
24	AT13740	DRAIN VALVE	AR		X	
25	.....	CAP SCREW	AR		X	M12
26	.....	CAP SCREW	AR		X	M12

# 2B10

ENGINE BASE (045)

CD41802A -UN-23FEB99

9806



CD41802A

# 2B11

ENGINE BASE (045)

KEY	PART NO.	PART NAME	QTY	ENGINE SERIAL NO.	0 4 5 T & H	REMARKS
1	RE65957	SHORT BLOCK ASSEMBLY	1		X	(ALSO ORDER RE501455, RE502269 AND DD15664)

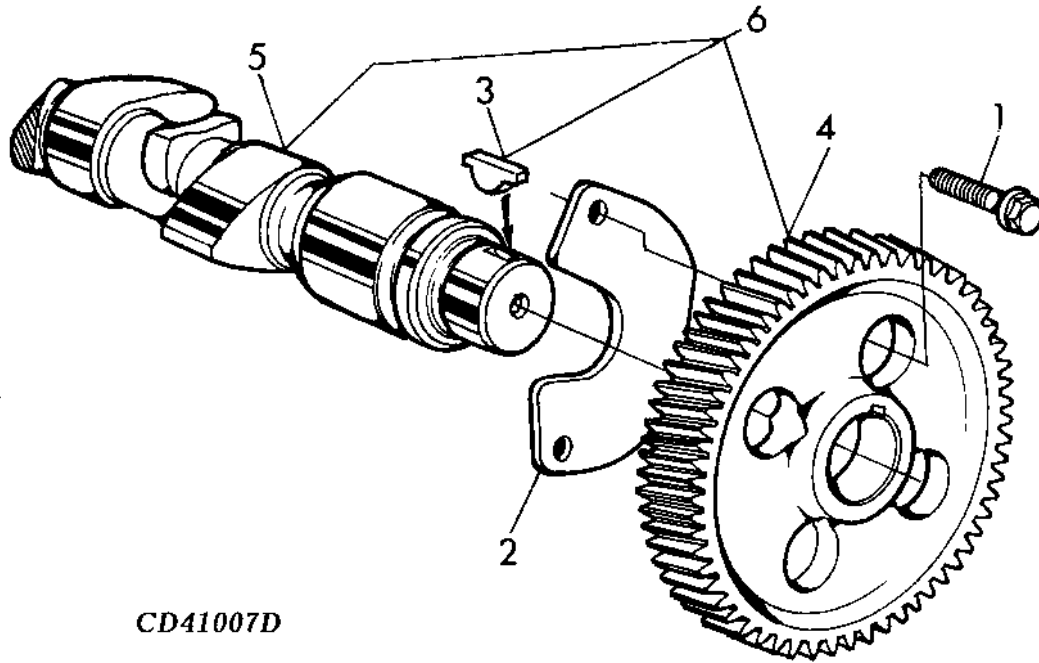


# 2B12

ENGINE BASE (045)

CD41007D -UN-13MAR98

9808



CD41007D

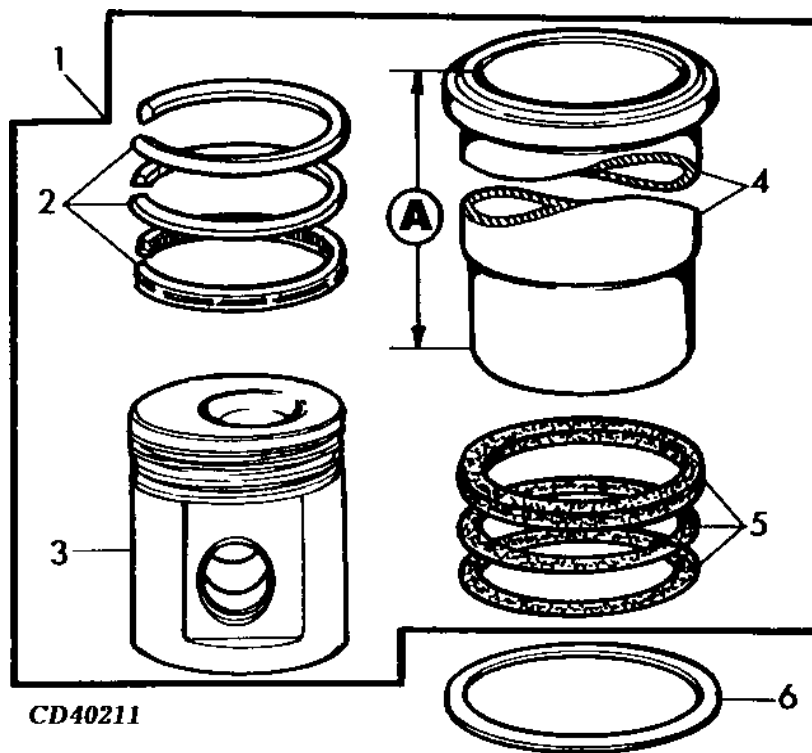
KEY	PART NO.	PART NAME	QTY	ENGINE SERIAL NO.	0 4 5 T & H	REMARKS
1	19M7867	SCREW	2		X	M8 X 25, (10.9)
2	R132518	PLATE	1		X	
3	R133303	SHAFT KEY	1		X	
4	.....	HELICAL GEAR	1		X	Z= 60 , MARKED R133812, NSEP, ORD RE56375
5	.....	CAMSHAFT	1		X	NSEP, ORD RE56375
6	RE56375	CAMSHAFT	1		X	

# 2B13

ENGINE BASE (045)

CD40211 -UN-23MAY95

9809



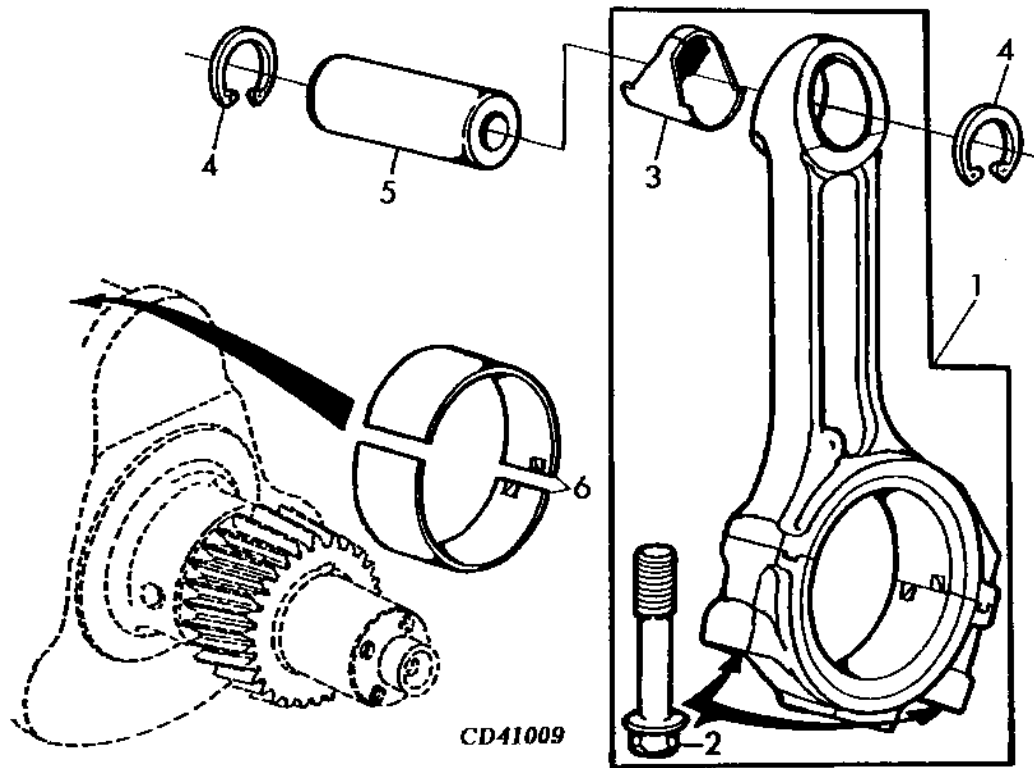
KEY	PART NO.	PART NAME	QTY	ENGINE SERIAL NO.	REMARKS
1	RE65969	PISTON-LINER KIT	4		X
2	RE66820	PISTON RING KIT	1		X PACKG (3)
3	.....	PISTON	1		X MARKED RE55512, NSEP, ORD RE65969
4	.....	CYLINDER LINER	1		X A = 218MM, NSEP, ORD RE65969
5	AR65507	O-RING KIT	1		X PACKG (3)
6	.....	SHIM	NA		X

# 2B14

ENGINE BASE (045)

CD41009 -UN-26FEB96

9810



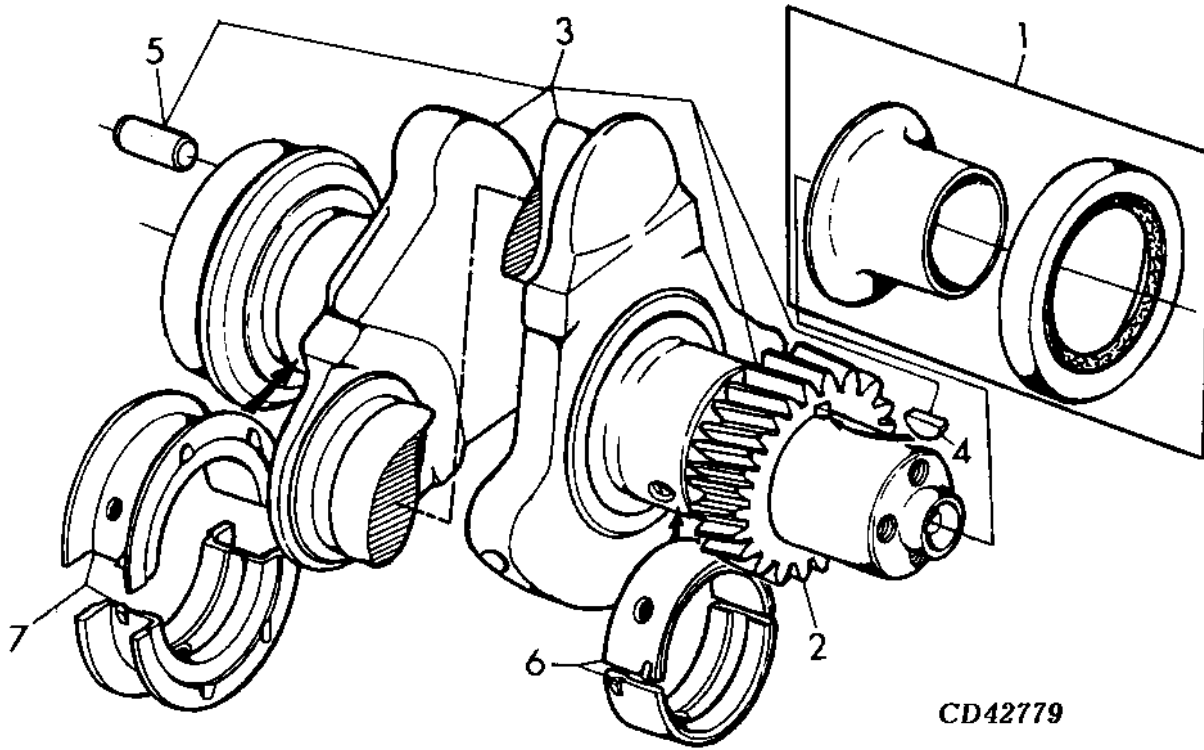
KEY	PART NO.	PART NAME	QTY	ENGINE SERIAL NO.	0 4 5 T & H	REMARKS
1	RE50770	CONNECTING ROD	4		X	(MARKED R114081)
2	R114083	SCREW	2		X	
3	R114082	BUSHING	1		X	
4	R54114	SNAP RING	8		X	
5	R123177	PISTON PIN	4		X	OD 41MM , LGTH 72MM
6	RE65908	BEARING	4		X	(KIT (2) R113698) STD
	RE65909	BEARING	AR		X	(KIT (2) R130578) ID -0.254MM

# 2B15

ENGINE BASE (045)

CD42779 -UN-24FEB99

9811



CD42779

KEY	PART NO.	PART NAME	QTY	ENGINE SERIAL NO.	REMARKS
1	RE59810	KIT	1		X FRONT
2	R120631	HELICAL GEAR	1		X Z = 30
3	RE50618	CRANKSHAFT	1		X ASSY, INCL KEYS 2,4,5, (MARKED R113596) (ALSO ORDER RE59810 AND RE44574)
4	26M4224	SHAFT KEY	1		X 4 X 16 MM
5	A120R	DOWEL PIN	1		X 12.725 X 28.448 MM
6	RE65165	BEARING KIT	4		X (KIT R123561 AND R123562) STD
	RE65911	BEARING	AR		X (KIT R130576 AND R130577) ID -0.254 MM
7	RE65168	THRUST BEARING	1		X (KIT R123563 AND R123564) STD
	RE65912	THRUST BEARING	AR		X (KIT R130574 AND R130575) ID -0.254 MM

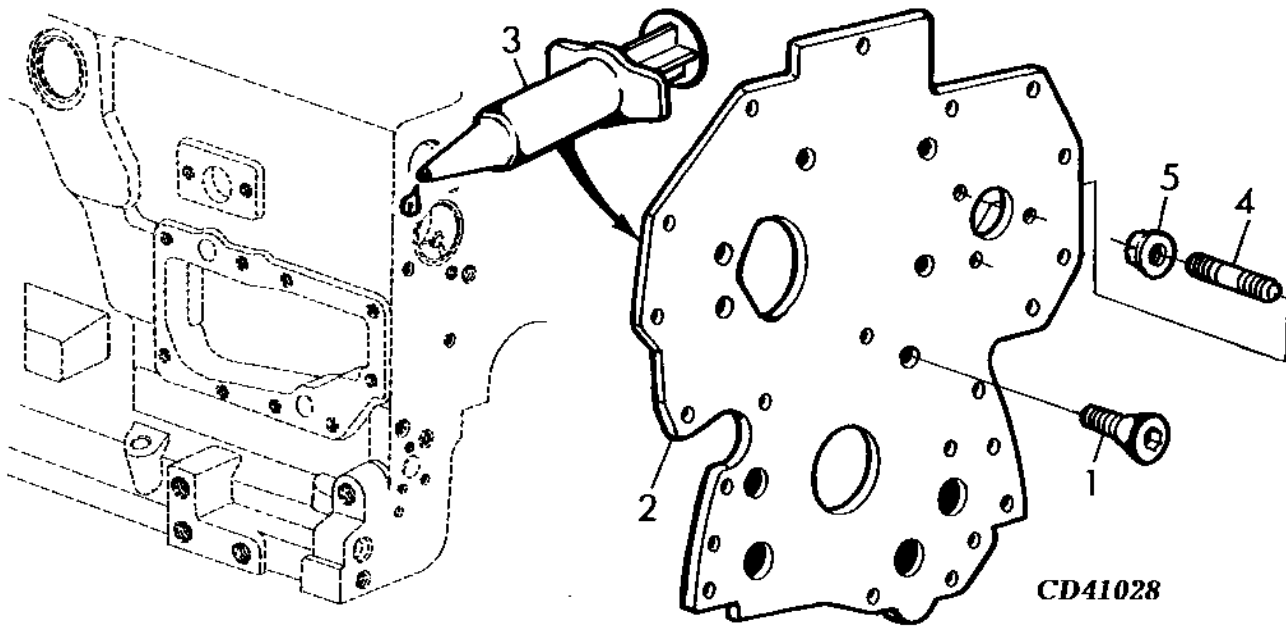
0  
4  
5  
T  
&  
H

# 2B16

ENGINE BASE (045)

CD41028 -UN-11MAR96

9812



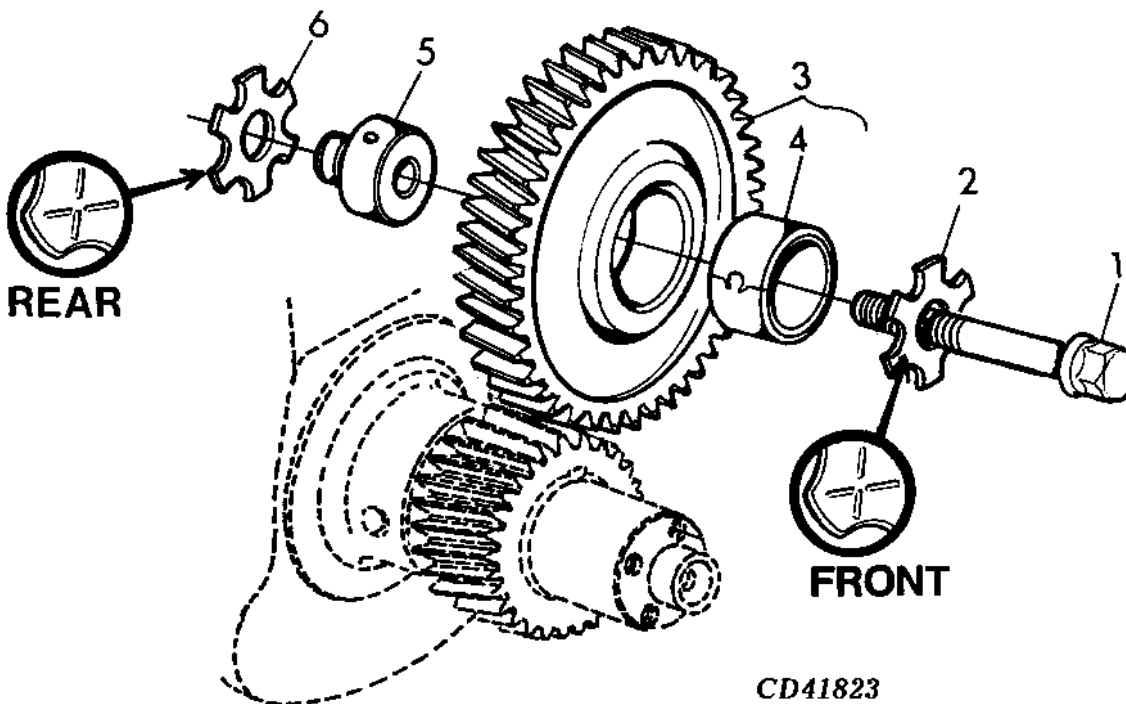
KEY	PART NO.	PART NAME	QTY	ENGINE SERIAL NO.	0 4 5 T & H	REMARKS
1	R136475	SCREW	4		X	
2	R134527	PLATE	1		X	
3	DD15664	LIQUID GASKET	1		X	
4	R116386	STUD	3		X	
5	14M7298	FLANGE NUT	3		X	M8, (10)

# 2B17

ENGINE BASE (045)

CD41823 -UN-09APR98

9813



CD41823

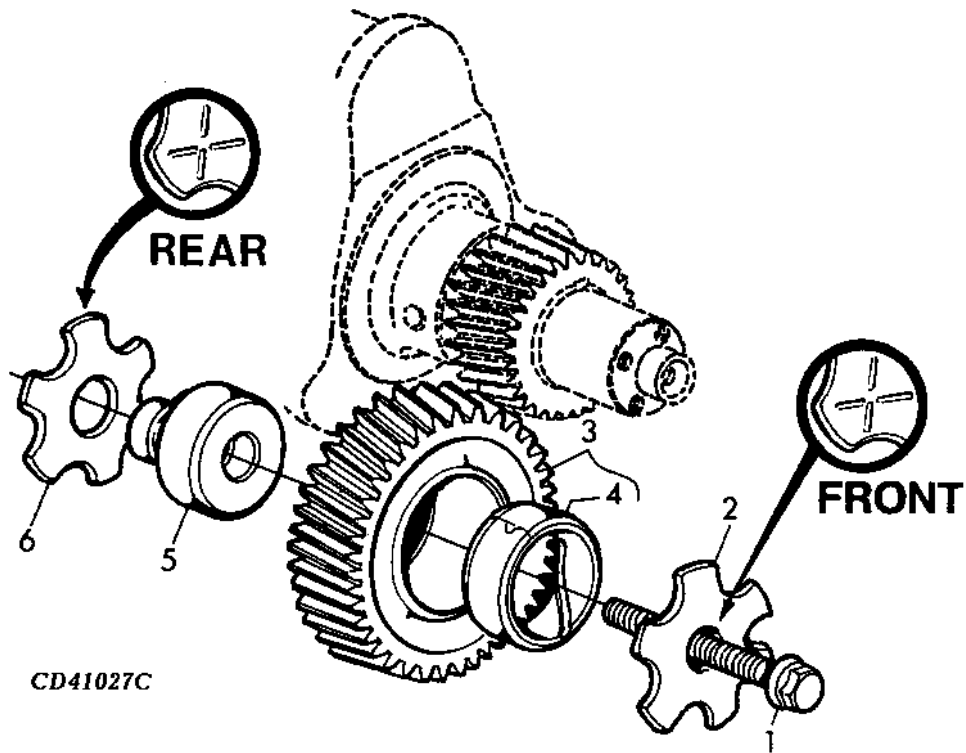
KEY	PART NO.	PART NAME	QTY	ENGINE SERIAL NO.	REMARKS
				0	
				4	
				5	
				T	
				&	
				H	
1	19M7807	SCREW	1	X	M10 X 60, (10.9)
2	R131283	THRUST WASHER	1	X	11 X 60 X 3MM
3	RE500631	HELICAL GEAR	1	X	Z = 49, (MARKED R500363) ASSY
4	T20034	BUSHING	1	X	
5	R109863	SHAFT	1	X	OD 44.5MM
6	R101225	THRUST WASHER	1	X	22 X 60 X 3MM

# 2B18

ENGINE BASE (045)

CD41027C -UN-10APR98

9814



CD41027C

KEY	PART NO.	PART NAME	QTY	ENGINE SERIAL NO.	REMARKS
1	19M8292	SCREW	1		X M10 X 50, (10.9)
2	R131283	THRUST WASHER	1		X 11 X 60 X 3MM
3	RE56369	HELICAL GEAR	1		X Z = 43, (MARKED R120636)
4	R114193	BUSHING	1		X OD 47.7MM
5	R114194	SHAFT	1		X OD 44.5MM
6	R101225	THRUST WASHER	1		X 22 X 60 X 3MM

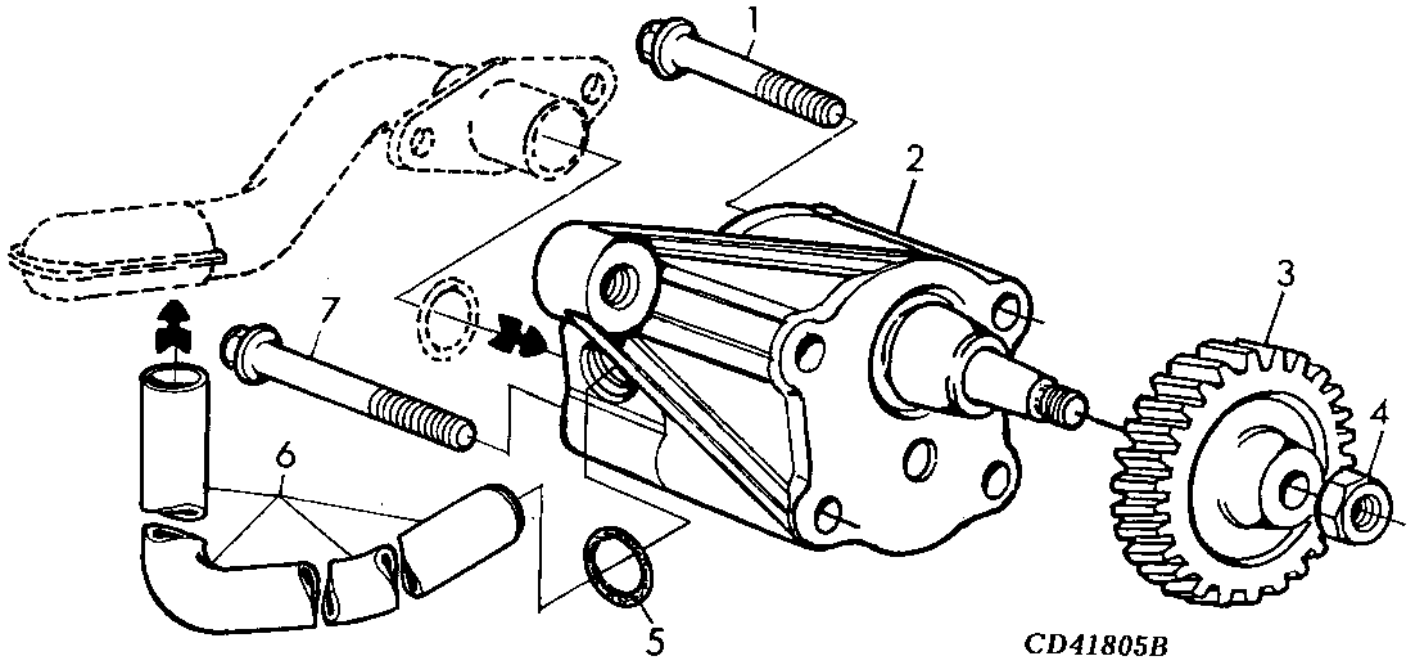
0  
4  
5  
T  
&  
H

# 2B19

ENGINE BASE (045)

CD41805B -UN-24FEB99

9815



CD41805B

KEY	PART NO.	PART NAME	QTY	ENGINE SERIAL NO.	0 4 5 T & H	REMARKS
1	19M7802	SCREW	2		X	M8 X 65, (10.9)
2	RE502269	OIL PUMP	1		X	ASSY, INCL KEY 5
3	R120638	HELICAL GEAR	1		X	Z = 30
4	14M7066	NUT	1		X	M12
5	R97185	O-RING	1		X	
6	R121376	TUBE	1		X	
7	19M8986	SCREW	2		X	M8 X 100, (10.9)

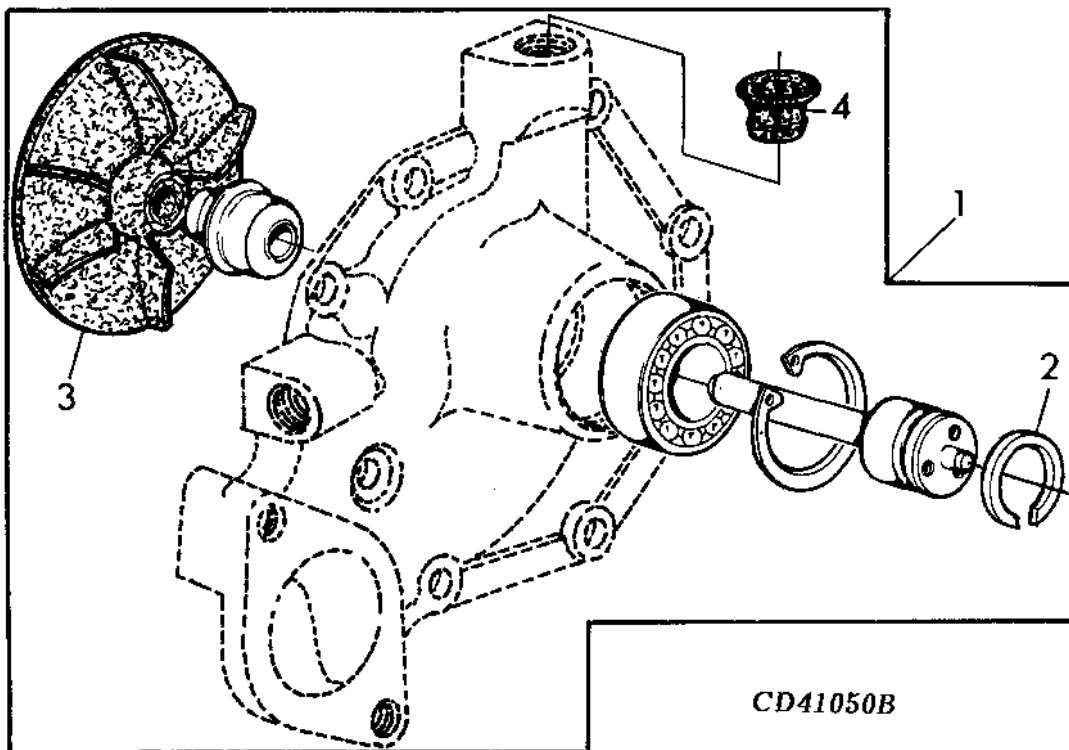


# 2B20

ENGINE BASE (045)

CD41050B -UN-19FEB98

9816



CD41050B

KEY	PART NO.	PART NAME	QTY	ENGINE SERIAL NO.	REMARKS
1	RE71240	KIT	AR		X (ALSO ORDER R123417 AND R123226)
2	A364R	SNAP RING	1		X
3	.....	IMPELLER	1		X MARKED R121036, ORD RE71240
4	R123226	GASKET	1		X

0  
4  
5  
T  
&  
H

**MEMORANDA**

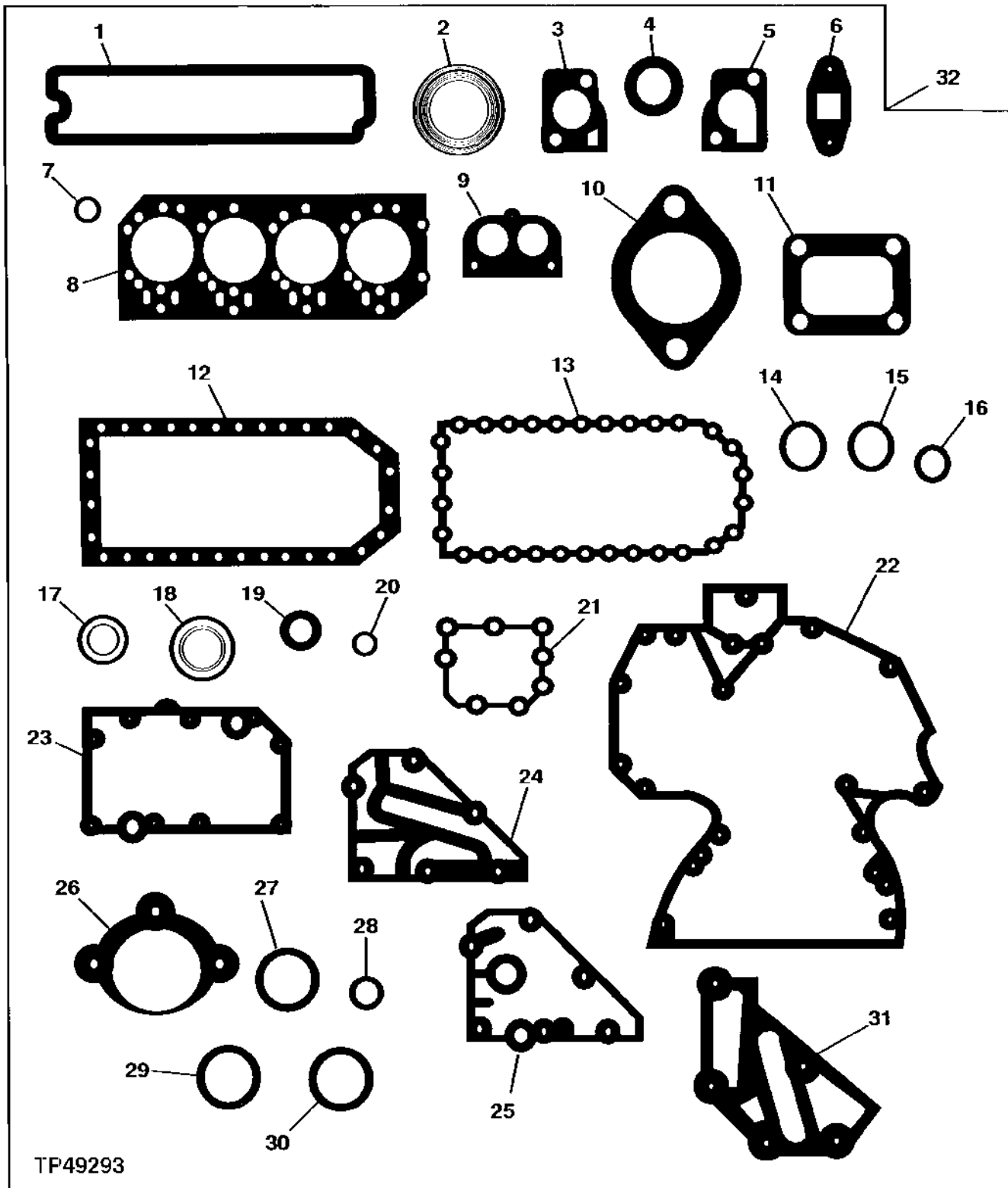
# 2B21

ENGINE BASE (045)

TP49293

-UN-27SEP95

9818



TP49293

# 2B22

ENGINE BASE (045)

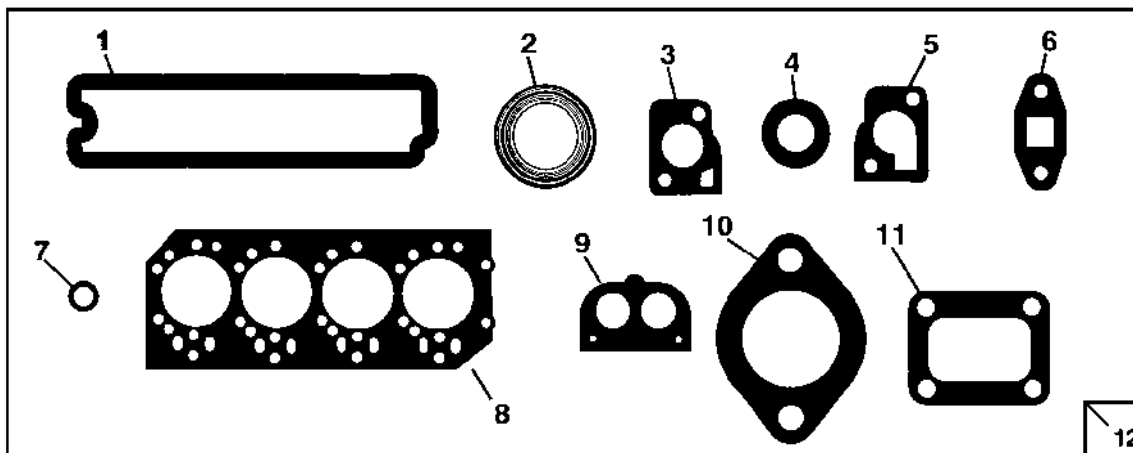
KEY	PART NO.	PART NAME	QTY	ENGINE SERIAL NO.	0 4 5 T & H	REMARKS
1	R123542	GASKET	1		X	
2	R109985	GASKET	4		X	
3	R135896	GASKET	1		X	
4	R123226	GASKET	2		X	
5	R123345	GASKET	1		X	
6	R123570	GASKET	1		X	
7	R123575	GASKET	4		X	
8	R116515	GASKET	1		X	
9	R54638	GASKET	1		X	
10	R81275	GASKET	1		X	
11	R92097	GASKET	1		X	
12	R123353	GASKET	1		X	
13	R123352	GASKET	1		X	APPL
14	R75892	O-RING	1		X	
15	R97185	O-RING	1		X	
16	R61871	O-RING	1		X	
17	A4827R	WASHER	1		X	
18	RE44574	SEAL	1		X	
19	RE59810	SEAL KIT	1		X	
20	R123273	O-RING	1		X	
21	R123417	GASKET	1		X	
22	R136516	GASKET	1		X	APPL
	R136515	GASKET	1		X	
23	R123501	GASKET	1		X	
24	R123504	GASKET	1		X	APPL
	R500374	GASKET	1		X	
25	R123525	GASKET	1		X	
26	R53108	GASKET	1		X	
27	R72328	O-RING	4		X	
28	R89944	O-RING	1		X	
29	R61105	O-RING	2		X	
30	T122075	O-RING	2		X	
31	R123502	GASKET	1		X	
32	RE501455	GASKET KIT	1		X	(ALSO ORDER R133893, R501459, (4) AR65507, R105346, R123583 AND DD15664) APPL

# 2B23

ENGINE BASE (045)

CD42425 -UN-11MAR98

9820



CD42425

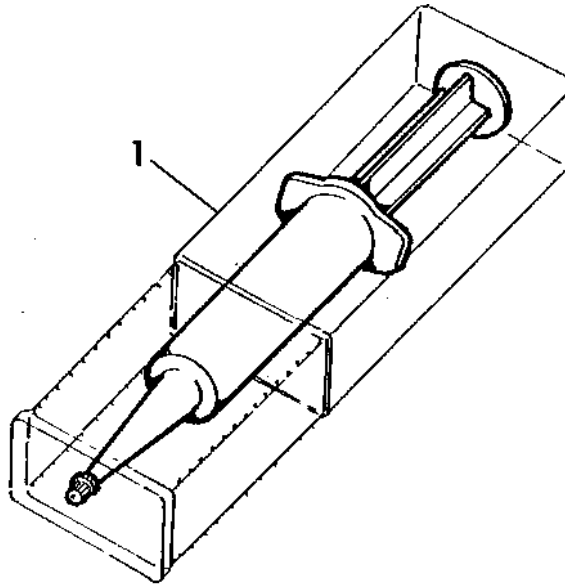
KEY	PART NO.	PART NAME	QTY	ENGINE SERIAL NO.	0 4 5 T & H	REMARKS
1	R123542	GASKET	1		X	
2	R109985	GASKET	4		X	
3	R135896	GASKET	1		X	
4	R123226	GASKET	2		X	
5	R123345	GASKET	1		X	
6	R123570	GASKET	1		X	
7	R123575	O-RING	4		X	
8	R116515	ENGINE CYLINDER HEAD GASKET	1		X	
9	R54638	GASKET	1		X	
10	R81275	GASKET	1		X	
11	R92097	GASKET	1		X	
12	RE66082	GASKET KIT	1		X	(ALSO ORDER R133893, R501459, R105346, R123583 AND DD15664) APPL

# 2B24

ENGINE BASE (045)

CD35696 -UN-01JAN94

9821



**CD35696**

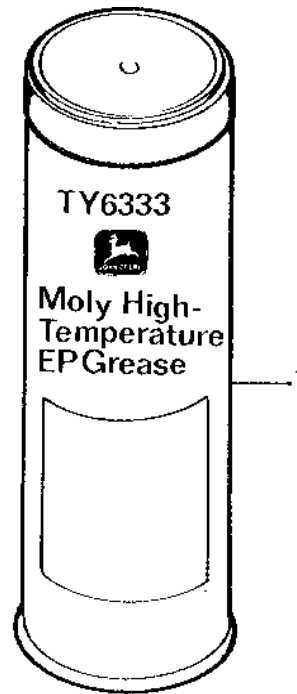
KEY	PART NO.	PART NAME	QTY	ENGINE SERIAL NO.	0 4 5 T & H	REMARKS
1	DD15664	LIQUID GASKET	AR		X	KIT

# 2B25

ENGINE BASE (045)

CD39055 -UN-01JAN94

9822



CD39055

KEY	PART NO.	PART NAME	QTY	ENGINE SERIAL NO.	0 4 5 T & H	REMARKS
1	TY6333	GREASE	AR		X	397 G (14 OZ)

# 2C1

ENGINE BASE (045)

TP6956

-UN-01JAN94

9823



TP6956

KEY	PART NO.	PART NAME	QTY	ENGINE SERIAL NO.	0 4 5 T & H	REMARKS
1	EPH76215-005	COOL-GARD	AR		X	5L
	EPH76215-025	COOL-GARD	AR		X	25L
	EPH76215-050	COOL-GARD	AR		X	50L
	EPH76215-200	COOL-GARD	AR		X	200L

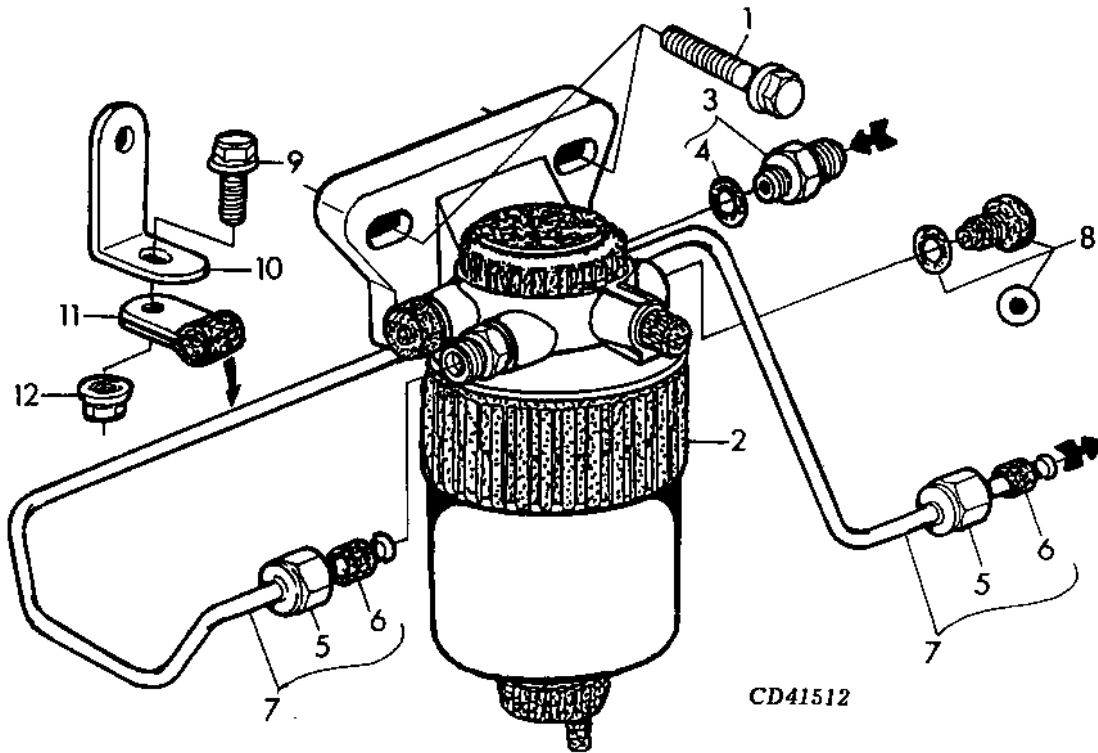


# 2C2

ENGINE BASE (045)

CD41512 -UN-15JAN98

9824



KEY	PART NO.	PART NAME	QTY	ENGINE SERIAL NO.	REMARKS
1	19M7785	SCREW	2		X M10 X 25, (10.9)
2	.....	FUEL FILTER	1		X ASSY, ORD RE500160
3	RE60029	FITTING	2		X M12X1.5 X 9/16"-24UNEF
4	51M7040	O-RING	1		X 9.300 X 2.200 MM
5	R123594	NUT	2		X 9/16"-24UNEF
6	R74012	SEALING WASHER	2		X
7	RE60025	FUEL LINE	1		X
8	RE500565	PIPE PLUG	2		X M12 X 1.5
9	19M7865	SCREW	1		X M8 X 16, (10.9)
10	R116116	BRACKET	1		X
11	T14050	CLAMP	1		X
12	14M7298	FLANGE NUT	1		X M8, (10)

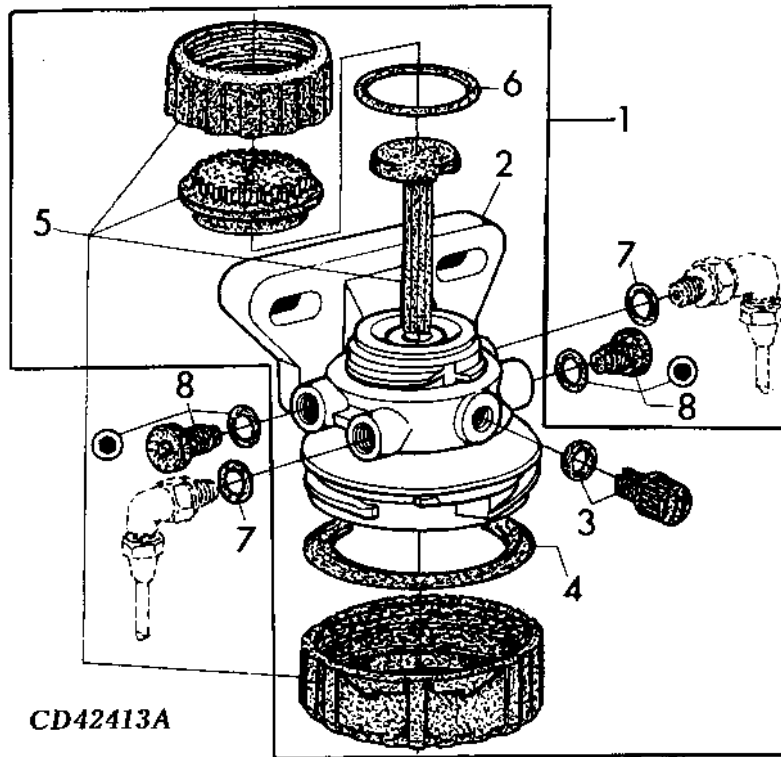
0  
4  
5  
T  
&  
H

# 2C3

ENGINE BASE (045)

CD42413A -UN-18NOV98

9825



CD42413A

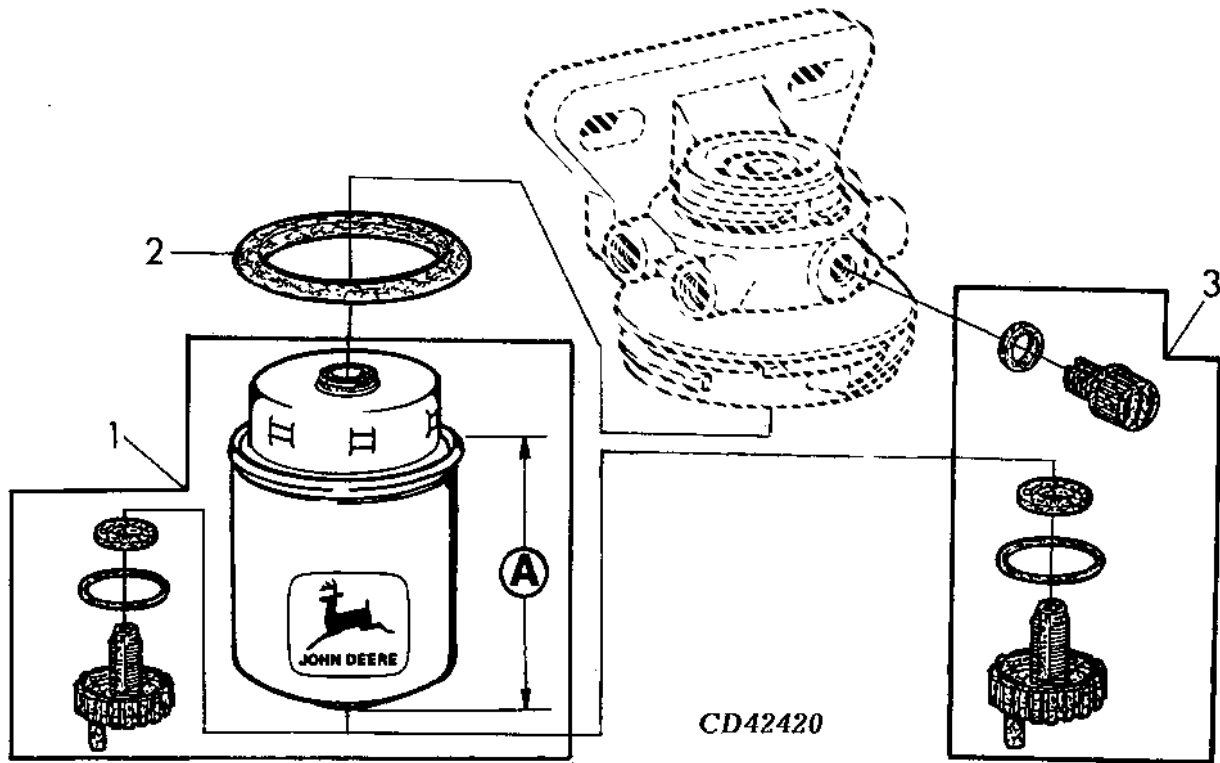
KEY	PART NO.	PART NAME	QTY	ENGINE SERIAL NO.	REMARKS
				0	
				4	
				5	
				T	
				&	
				H	
1	RE500160	KIT	1	X	(ALSO ORDER (2) 51M7040 AND (2) RE500565)
2	.....	FILTER HEAD	1	X	MARKED 32296 , NSEP , ORD RE500160
3	.....	DRAIN PLUG	1	X	ORD RE60854
4	R113565	PACKING	1	X	
5	.....	RETAINER	1	X	ORD RE51649
6	.....	O-RING	1	X	ORD RE50752
7	51M7040	O-RING	2	X	9.300 X 2.200 MM
8	RE500565	PIPE PLUG	2	X	M12 X 1.5

# 2C4

ENGINE BASE (045)

CD42420 -UN-03MAR98

9826



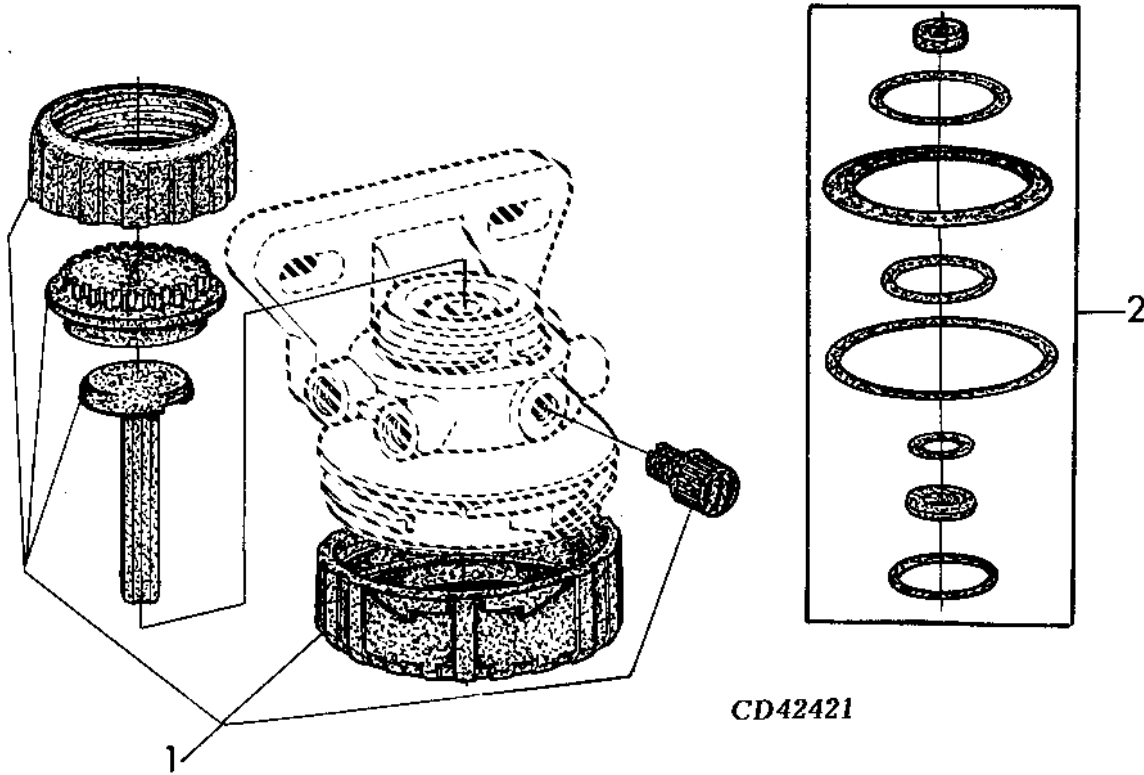
KEY	PART NO.	PART NAME	QTY	ENGINE SERIAL NO.	REMARKS
1	RE60021	FUEL FILTER	1	0 4 5 T & H	X A = 71MM, (ALSO ORDER R113565)
2	R113565	PACKING	1		X
3	RE60854	KIT	1		X

# 2C5

ENGINE BASE (045)

CD42421 -UN-03MAR98

9827



CD42421

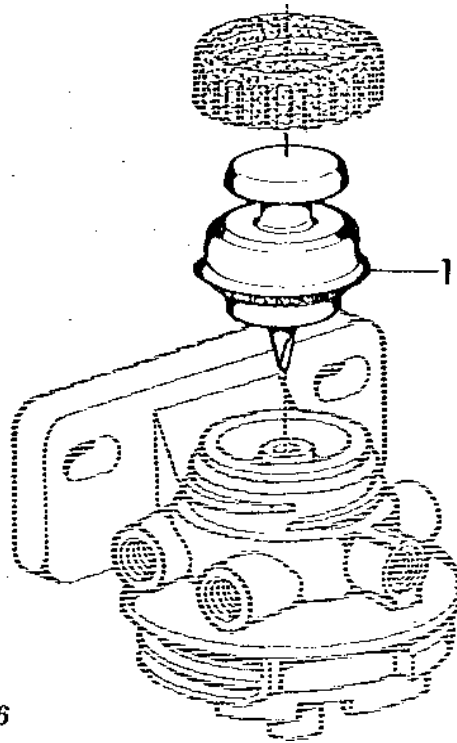
KEY	PART NO.	PART NAME	QTY	ENGINE SERIAL NO.	REMARKS
1	RE51649	KIT	AR	0 4 5 T & H	X INCL. INSTRUCTIONS
2	RE50752	SEAL KIT	AR		X

# 2C6

ENGINE BASE (045)

CD39026 -UN-01JAN94

9828



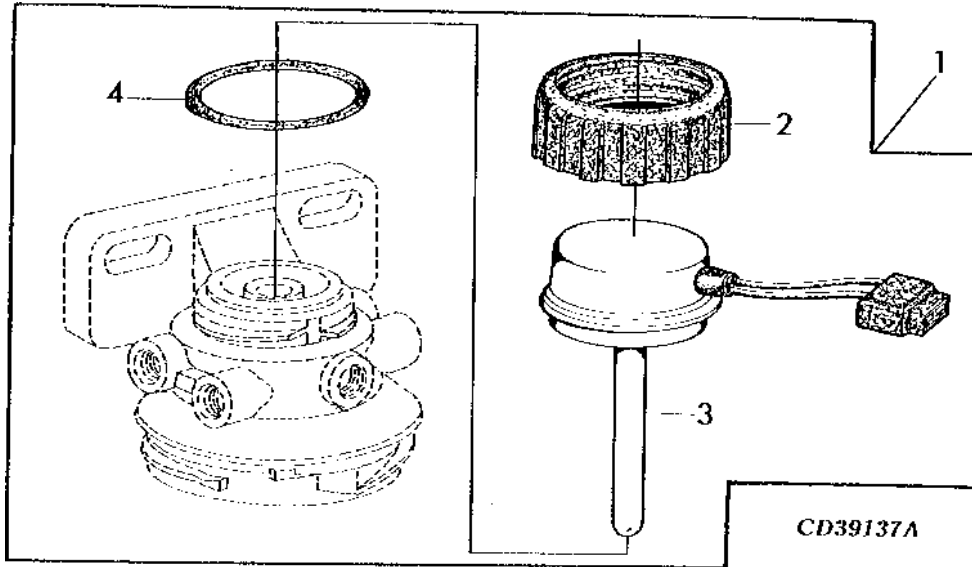
CD39026

KEY	PART NO.	PART NAME	QTY	ENGINE SERIAL NO.	0 4 5 T & H	REMARKS
1	RE50467	HAND PRIMER	1		X	(A)

(A) ACCESSORY

CD39137A -UN-01JAN94

9829

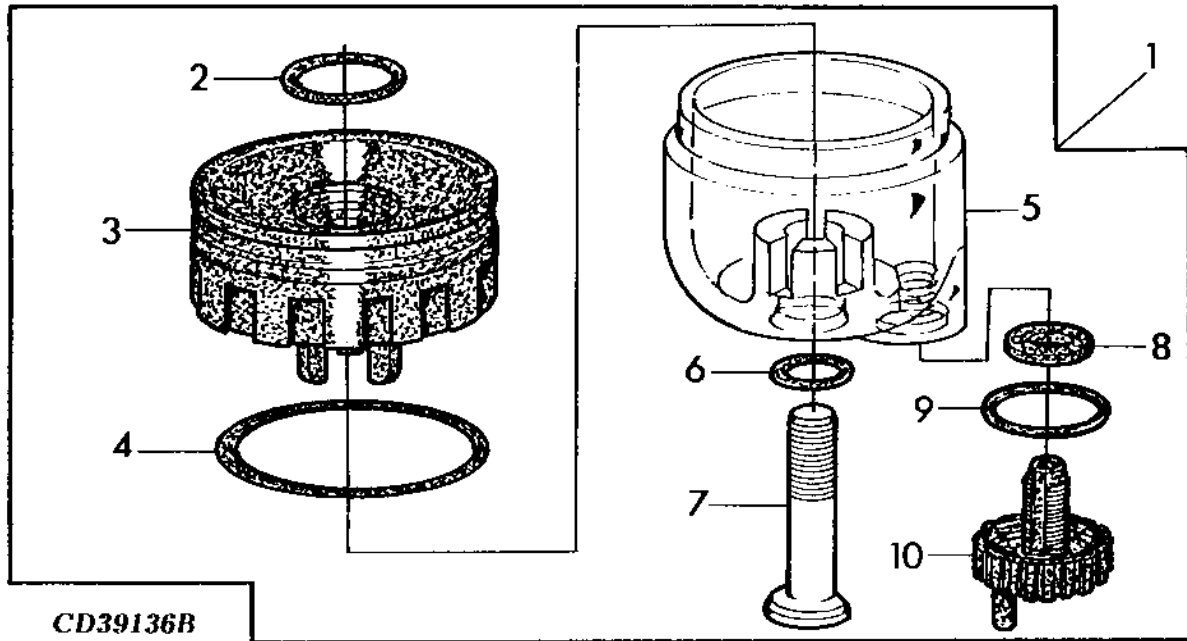


KEY	PART NO.	PART NAME	QTY	ENGINE SERIAL NO.	REMARKS
1	RE51648	KIT	AR	0	(A) INCL. INSTRUCTIONS
2	.....	WING NUT	1	4	X ORD KIT RE51649
3	.....	HEATER	1	5	X (12V - 150W) ORD KIT RE51648
4	.....	O-RING	1	T & H	X ORD KIT RE50752

(A) ACCESSORY

CD39136B -UN-15FEB96

9830



KEY	PART NO.	PART NAME	QTY	ENGINE SERIAL NO.	REMARKS
1	RE51650	SEDIMENT BOWL	AR		X (A) KIT, INCL. INSTRUCTIONS
2	.....	O-RING	1		X ORD KIT RE50752
3	.....	WING NUT	1		X ORD KIT RE51650
4	.....	O-RING	1		X ORD KIT RE50752
5	.....	SEDIMENT BOWL	1		X ORD KIT RE51650
6	.....	O-RING	1		X ORD KIT RE50752
7	.....	SCREW	1		X ORD KIT RE51650
8	.....	GASKET	1		X ORD KIT RE60854
9	.....	O-RING	1		X ORD KIT RE60854
10	.....	DRAIN PLUG	1		X ORD KIT RE60854

(A) ACCESSORY

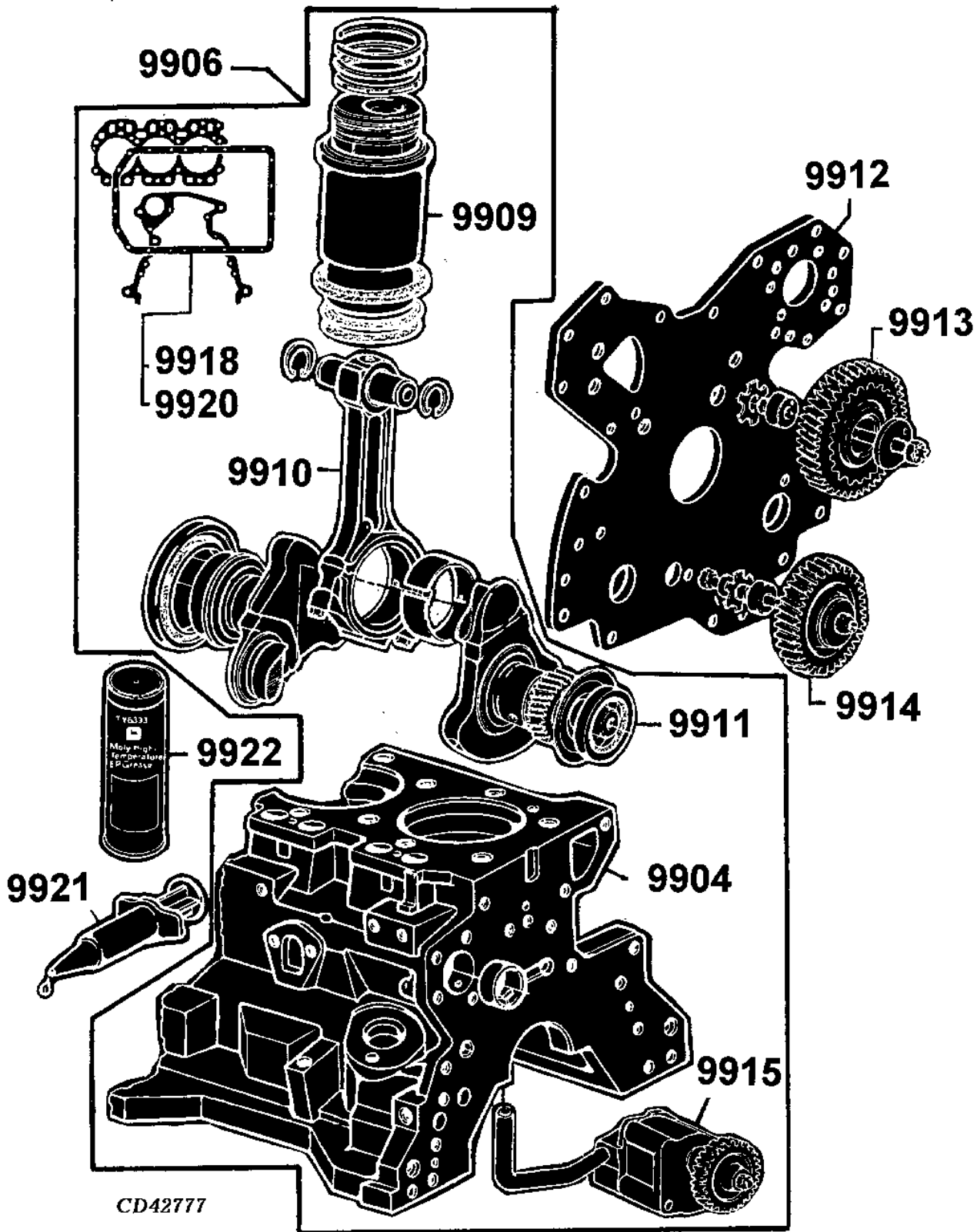
# 2C11

ENGINE BASE (068)

## SECTIONAL INDEX

CD42777 -JN-24FEB99

9901 -	2C13
9902 -	2C14
9903 -	2C15
9904 -	2C16
9906 -	2C18
9908 -	2C20
9909 -	2C21
9910 -	2C22
9911 -	2C23
9912 -	2C24
9913 -	2C25
9914 -	2D1
9915 -	2D2
9916 -	2D3
9918 -	2D4
9920 -	2D6
9921 -	2D7
9922 -	2D8
9923 -	2D9
9924 -	2D10
9925 -	2D11
9926 -	2D12
9927 -	2D13
9928 -	2D14
9929 -	2D15
9930 -	2D16





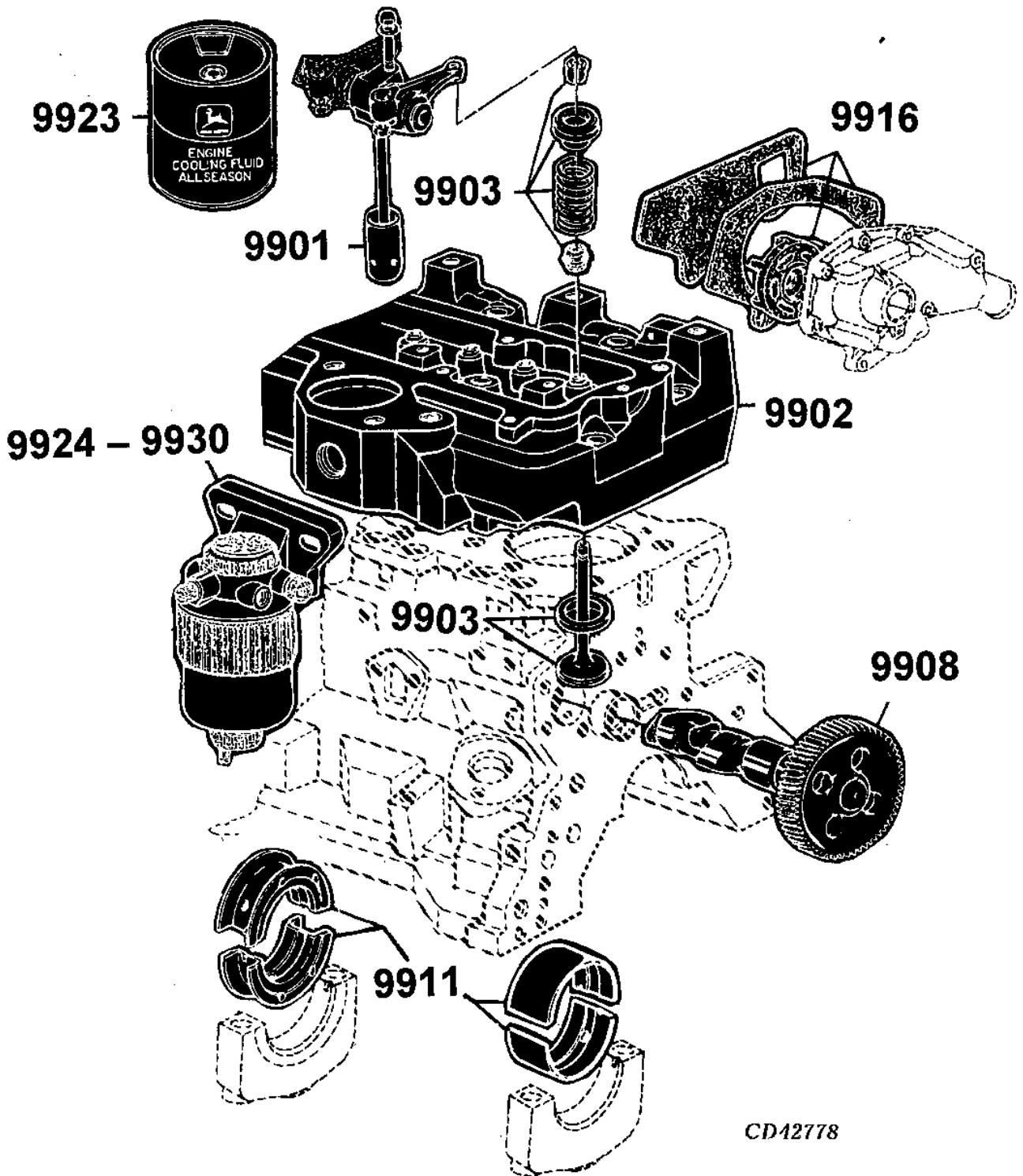
# 2C12

ENGINE BASE (068)

## SECTIONAL INDEX

CD42778 -UN-24FEB99

9901 -	2C13
9902 -	2C14
9903 -	2C15
9904 -	2C16
9906 -	2C18
9908 -	2C20
9909 -	2C21
9910 -	2C22
9911 -	2C23
9912 -	2C24
9913 -	2C25
9914 -	2D1
9915 -	2D2
9916 -	2D3
9918 -	2D4
9920 -	2D6
9921 -	2D7
9922 -	2D8
9923 -	2D9
9924 -	2D10
9925 -	2D11
9926 -	2D12
9927 -	2D13
9928 -	2D14
9929 -	2D15
9930 -	2D16



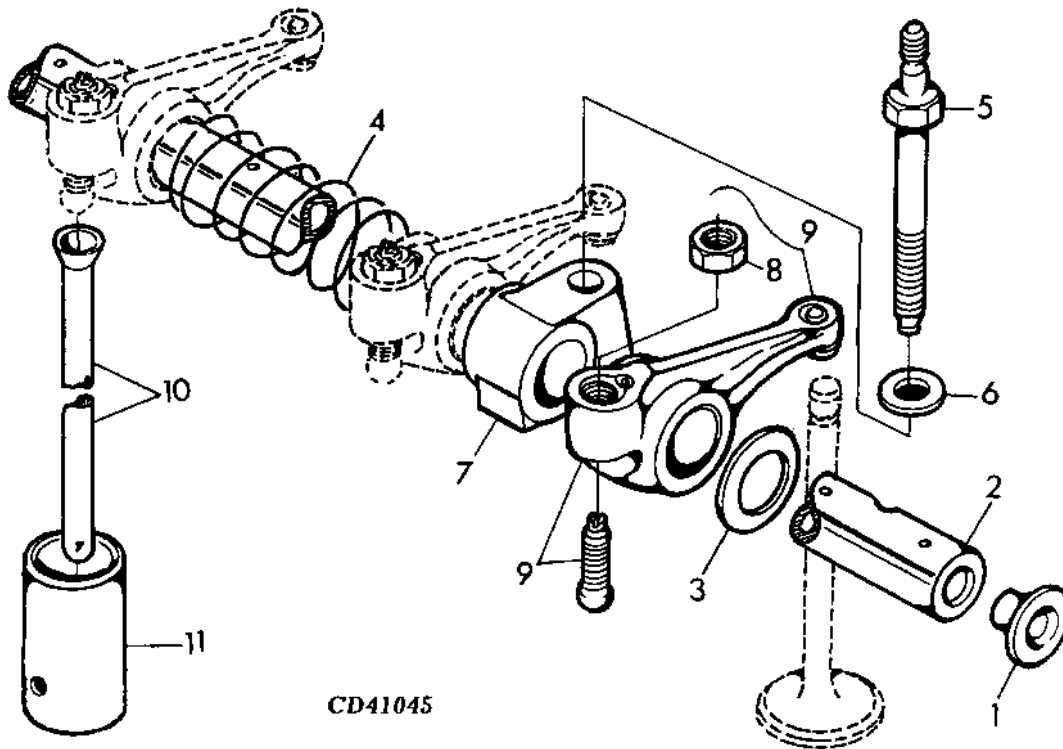
CD42778

# 2C13

ENGINE BASE (068)

CD41045 -UN-12JUN96

9901



CD41045

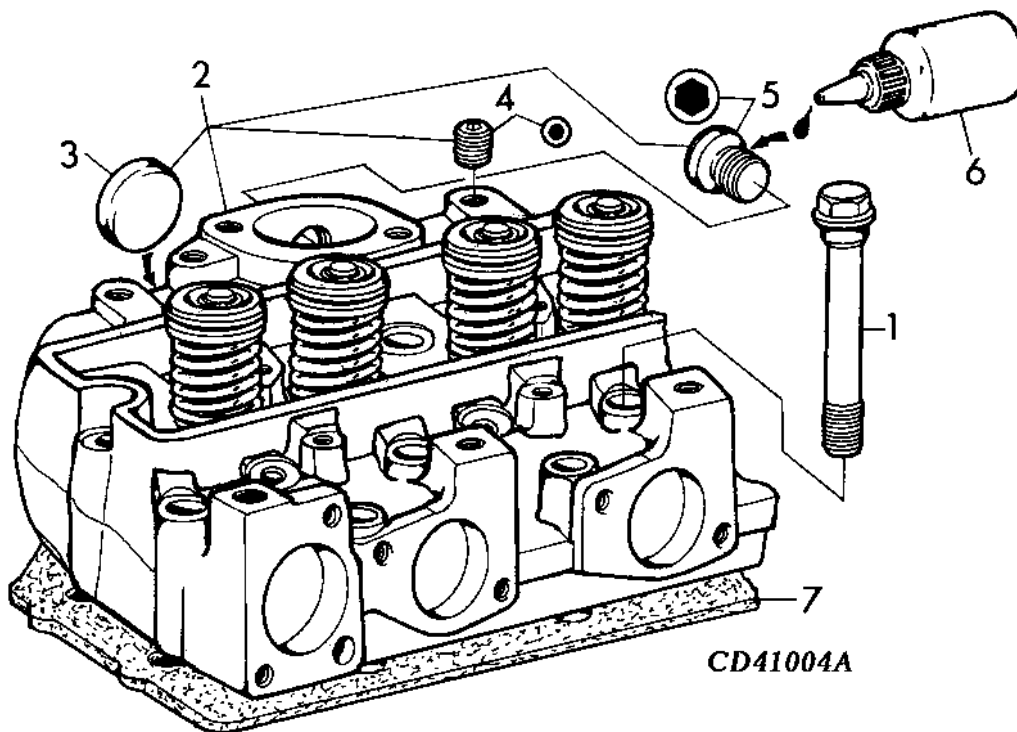
KEY	PART NO.	PART NAME	QTY	ENGINE SERIAL NO.	REMARKS
				0	
				6	
				8	
				T	
				&	
				H	
1	R54565	PLUG	2		X
2	R123514	ROCKER ARM SHAFT	1		X
3	T20316	WASHER	2		X
4	T20314	SPRING	5		X
5	R123271	STUD	6		X
6	R42729	WASHER	6		X
7	R123161	SUPPORT	6		X
8	14M7148	NUT	1		X M10
9	RE68695	ROCKER ARM	12		X
10	R107731	PUSH ROD	12		X
11	R123565	CAM FOLLOWER	12		X

# 2C14

ENGINE BASE (068)

CD41004A -UN-10JUN98

9902



KEY	PART NO.	PART NAME	QTY	ENGINE SERIAL NO.	REMARKS
1	R85363	CAP SCREW	26		X 12.7MM X 112MM
2	RE57489	CYLINDER HEAD	1		X (MARKED R121608) ASSY, INCL KEYS 3,4,5 . MEDIUM SWIRL
3	CD16284	CAP	1		X OD 32.6MM, REAR
	CD16607	CAP	AR		X OD 34.3MM, REAR
	R43409	CAP	3		X OD 43.3MM
4	R104592	PIPE PLUG	AR		X 1/8"-27NPT
5	T58477	FITTING	1		X 7/8"-14UNF, (ALSO ORDER TY9374 OR TY9375) APPL
6	TY9374	SEALANT	AR		X LOCTITE 592, 6ML (0.2 OZ)
	TY9375	SEALANT	AR		X LOCTITE 592, 50ML (1.7 OZ)
7	R116516	ENGINE CYLINDER HEAD GASKET	1		X

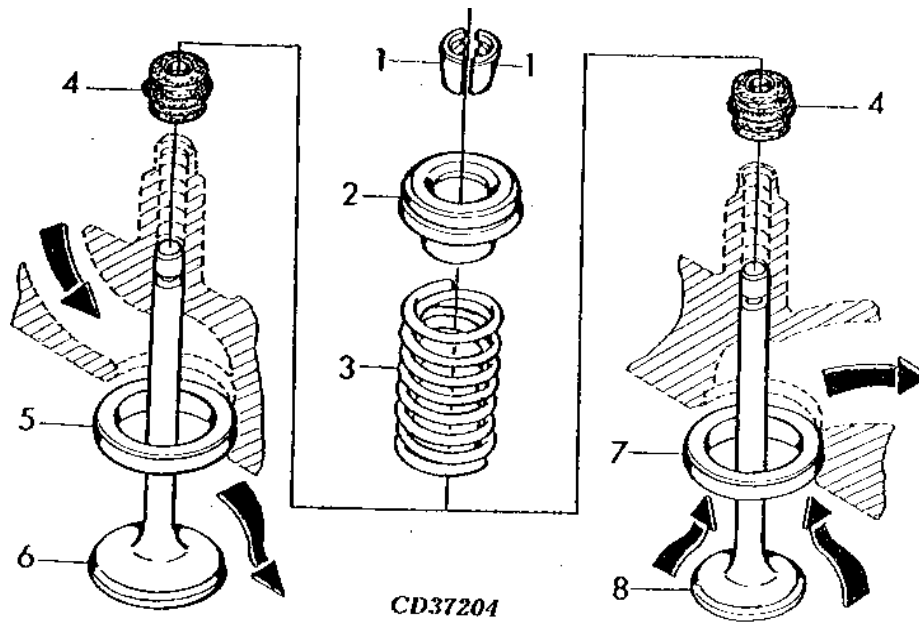
0  
6  
8  
T  
&  
H

# 2C15

ENGINE BASE (068)

CD37204 -UN-01JAN94

9903



CD37204

KEY	PART NO.	PART NAME	QTY	ENGINE SERIAL NO.	REMARKS
					0
					6
					8
					T
					&
					H
1	R91889	RETAINER	24		X
2	RE60005	ROTATOR	12		X
3	R26125	SPRING	12		X
4	RE31617	SEAL	12		X STD
5	R106831	VALVE SEAT INSERT	6		X
6	R98062	INTAKE VALVE	6		X STD
	R97490	INTAKE VALVE	AR		X OD +0.381MM
	R97491	INTAKE VALVE	AR		X OD +0.762MM
7	R106829	VALVE SEAT INSERT	6		X
8	R90692	EXHAUST VALVE	6		X STD
	R97492	EXHAUST VALVE	AR		X OD +0.381MM
	R97493	EXHAUST VALVE	AR		X OD +0.762MM

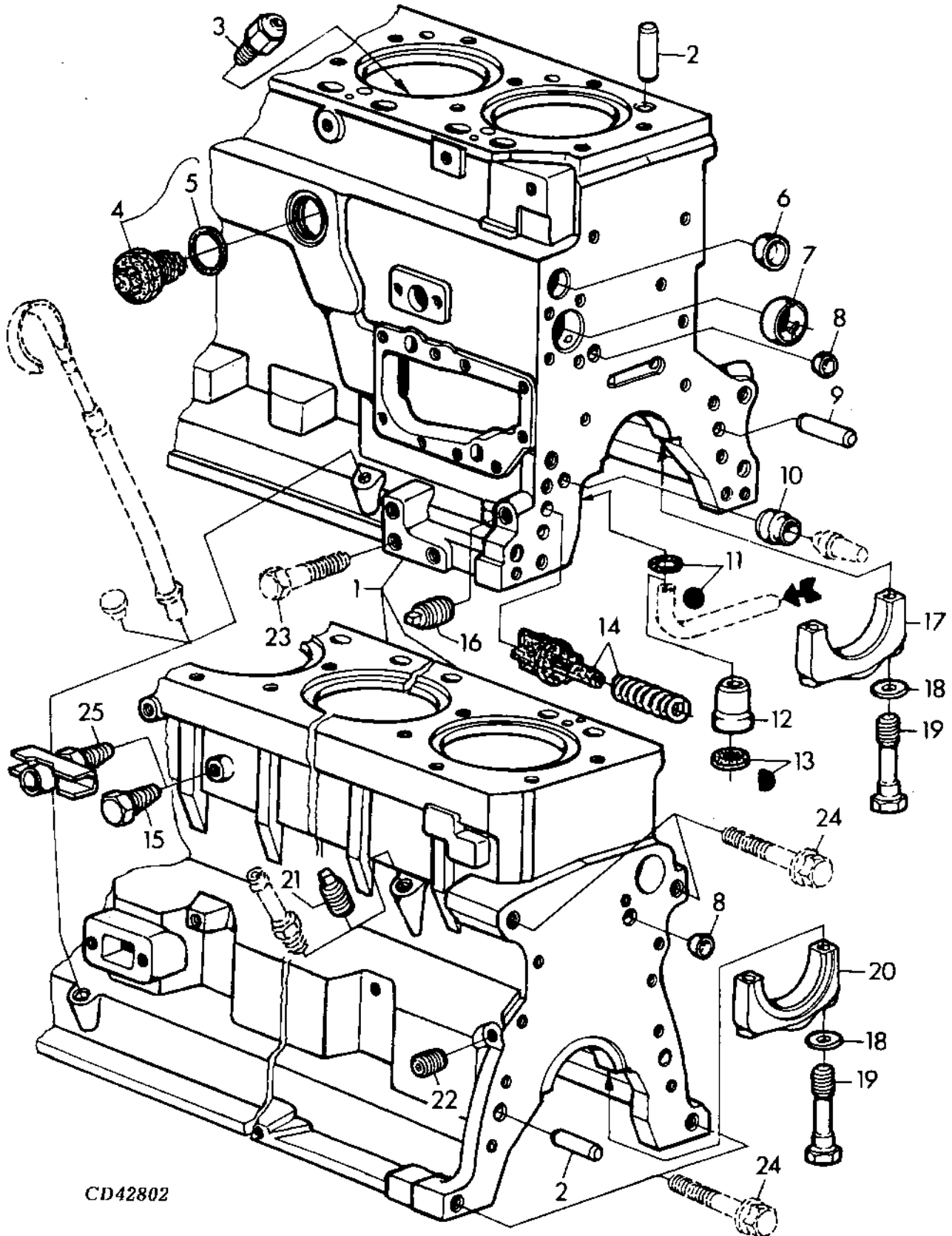
# 2C16

ENGINE BASE (068)

CD42802

-UN-15DEC98

9904



CD42802

# 2C17

ENGINE BASE (068)

KEY	PART NO.	PART NAME	QTY	ENGINE SERIAL NO.	0 6 8 T & H	REMARKS
1	.....	CYLINDER BLOCK	1		X	MARKED R119565 , ORD RE65959 + RE501456 + RE502269 + DD15664
2	A120R	DOWEL PIN	4		X	
3	R131182	ORIFICE	6		X	
4	RE502422	DRAIN PLUG	2		X	1-5/8"-12UN
5	R501377	O-RING	2		X	
6	R116466	PLUG	1		X	
7	R119874	BUSHING	1		X	(ALSO ORDER TY6333)
8	T18891	CAP	2		X	OD 16MM
9	B153R	DOWEL PIN	2		X	
10	R26493	BUSHING	1		X	
11	R97185	O-RING	1		X	
12	R115390	BUSHING	1		X	FOR R75892
13	R75892	O-RING	1		X	FOR R115390
14	RE63674	VALVE	1		X	KIT
15	R55233	PIPE PLUG	1		X	1/4"-18NPT
16	15H623	PIPE PLUG	1		X	3/8"-18NPT
17	R114241	BEARING CAP	6		X	
18	T20168	WASHER	14		X	
19	T23474	CAP SCREW	14		X	
20	R132186	BEARING CAP	1		X	REAR
21	15H584	PIPE PLUG	AR		X	1/2"-14NPT
22	R104592	PIPE PLUG	6		X	1/8"-27NPT
23	.....	CAP SCREW	AR		X	M12
24	.....	CAP SCREW	AR		X	M12
25	AT13740	DRAIN VALVE	AR		X	

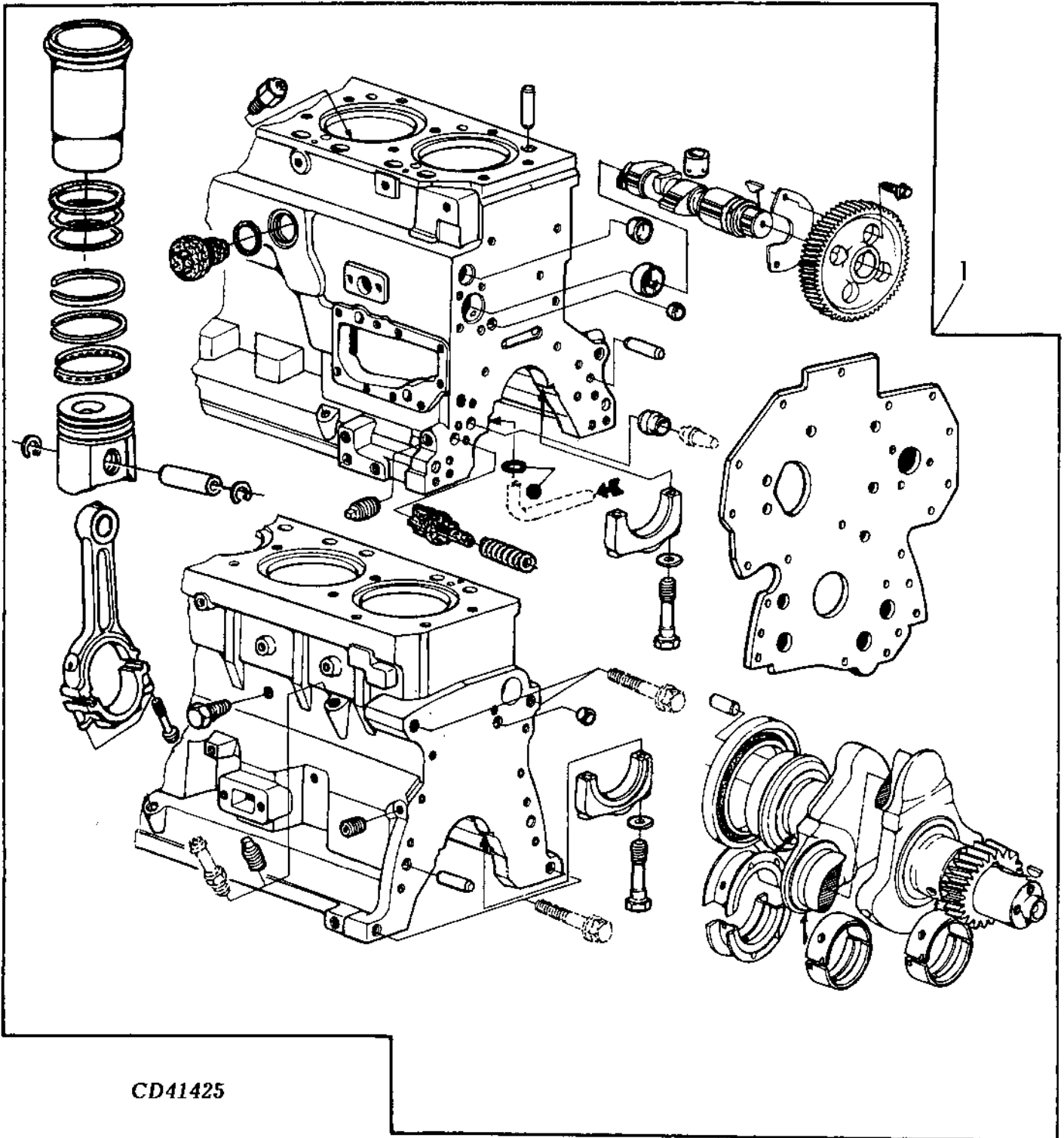
# 2C18

ENGINE BASE (068)

CD41425

-UN-24FEB99

9906



CD41425

# 2C19

ENGINE BASE (068)

KEY	PART NO.	PART NAME	QTY	ENGINE SERIAL NO.	0 6 8 T & H	REMARKS
1	RE65959	SHORT BLOCK ASSEMBLY	1		X	(ALSO ORDER RE501456, RE502269 AND DD15664)

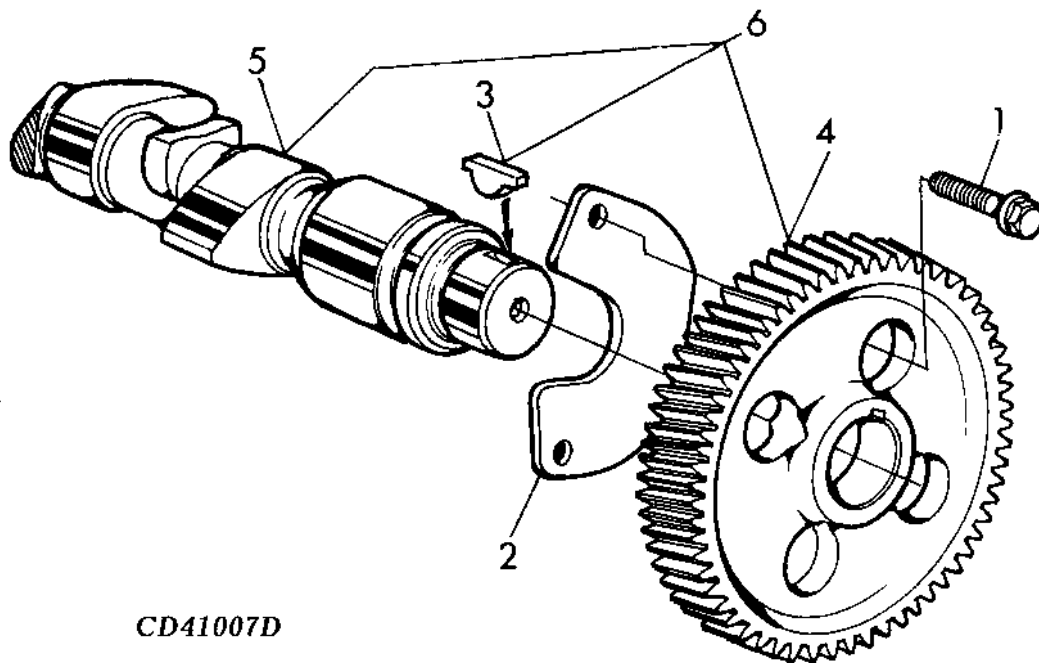


# 2C20

ENGINE BASE (068)

CD41007D -UN-13MAR98

9908



CD41007D

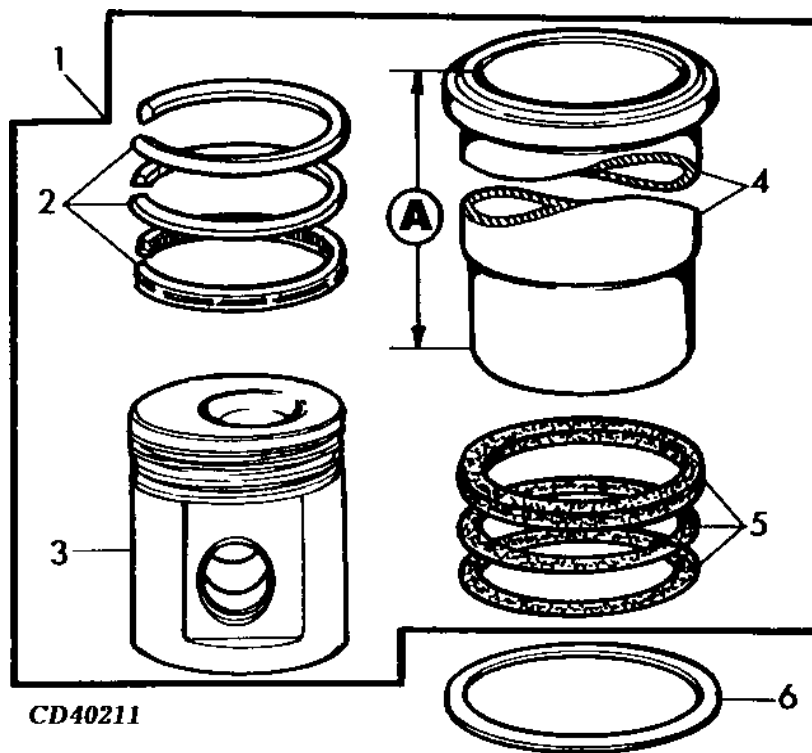
KEY	PART NO.	PART NAME	QTY	ENGINE SERIAL NO.	0 6 8 T & H	REMARKS
1	19M7867	SCREW	2		X	M8 X 25, (10.9)
2	R132518	PLATE	1		X	
3	R133303	SHAFT KEY	1		X	
4	.....	HELICAL GEAR	1		X	Z = 60, MARKED R133812, NSEP, ORD RE56578
5	.....	CAMSHAFT	1		X	NSEP, ORD RE56578
6	RE56578	CAMSHAFT	1		X	ASSY , INCL KEYS 3-5 ,

# 2C21

ENGINE BASE (068)

CD40211 -UN-23MAY95

9909



CD40211

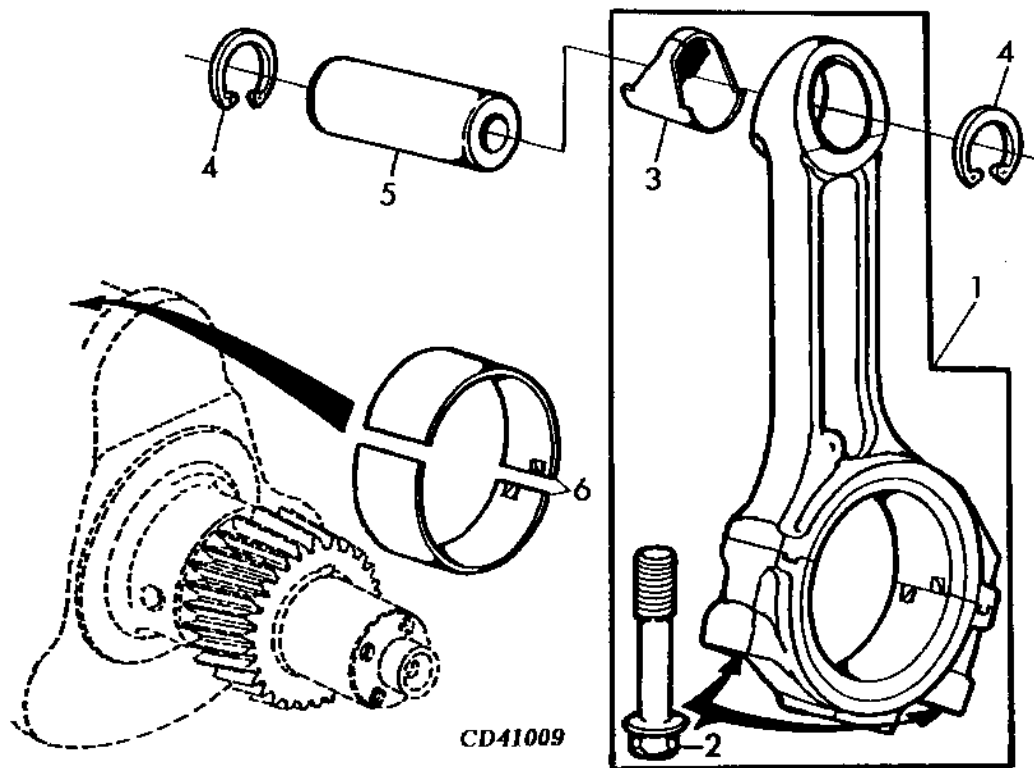
KEY	PART NO.	PART NAME	QTY	ENGINE SERIAL NO.	REMARKS
1	RE65969	PISTON-LINER KIT	6	0	X
2	RE66820	PISTON RING KIT	1	6	X PACKG (3)
3	.....	PISTON	1	8	X MARKED RE55512 , NSEP , ORD RE65969
4	.....	CYLINDER LINER	1	T	X A = 218MM, NSEP , ORD RE65969
5	AR65507	O-RING KIT	1	&	X PACKG (3)
6	.....	SHIM	NA	H	X

# 2C22

ENGINE BASE (068)

CD41009 -UN-26FEB96

9910



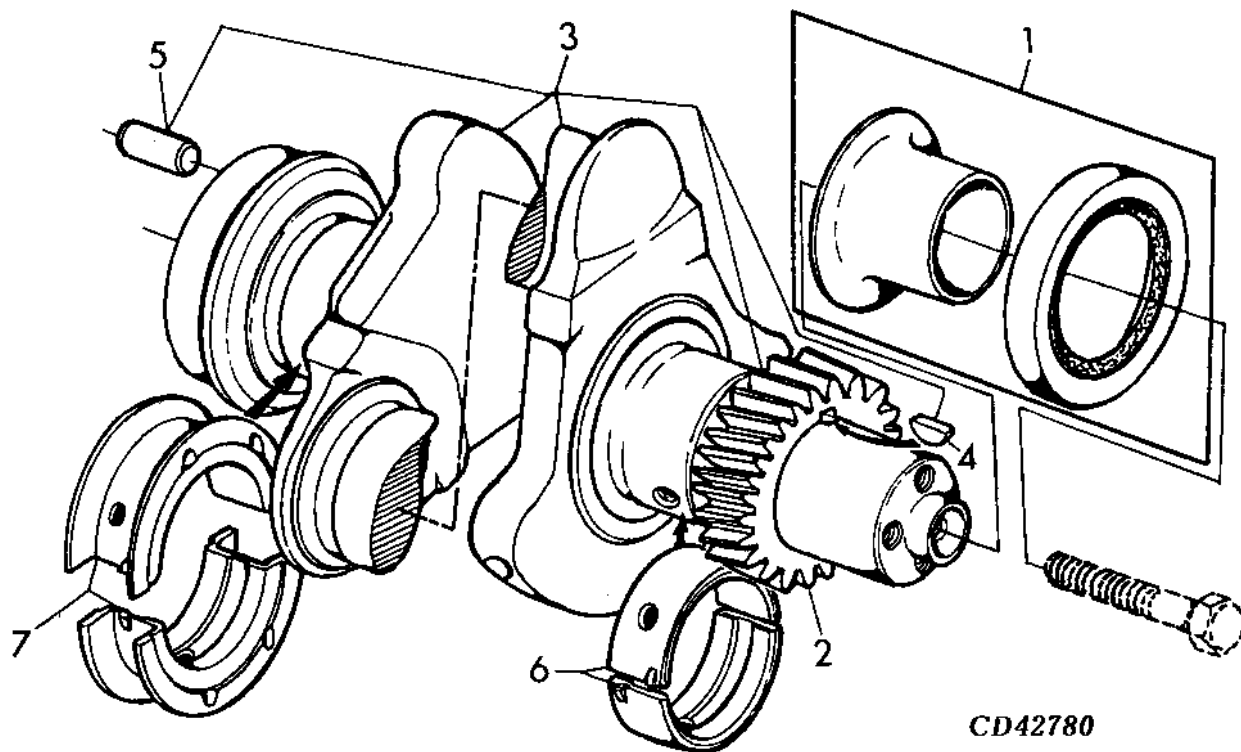
KEY	PART NO.	PART NAME	QTY	ENGINE SERIAL NO.	0 6 8 T & H	REMARKS
1	RE50770	CONNECTING ROD	6		X	(MARKED R114081)
2	R114083	SCREW	2		X	
3	R114082	BUSHING	1		X	
4	R54114	SNAP RING	12		X	
5	R123177	PISTON PIN	6		X	OD 41MM , LGTH 72MM
6	RE65908	BEARING	6		X	(KIT (2) R113698) STD
	RE65909	BEARING	AR		X	(KIT (2) R130578) ID -0.254MM

# 2C23

ENGINE BASE (068)

CD42780 -UN-24FEB99

9911



CD42780

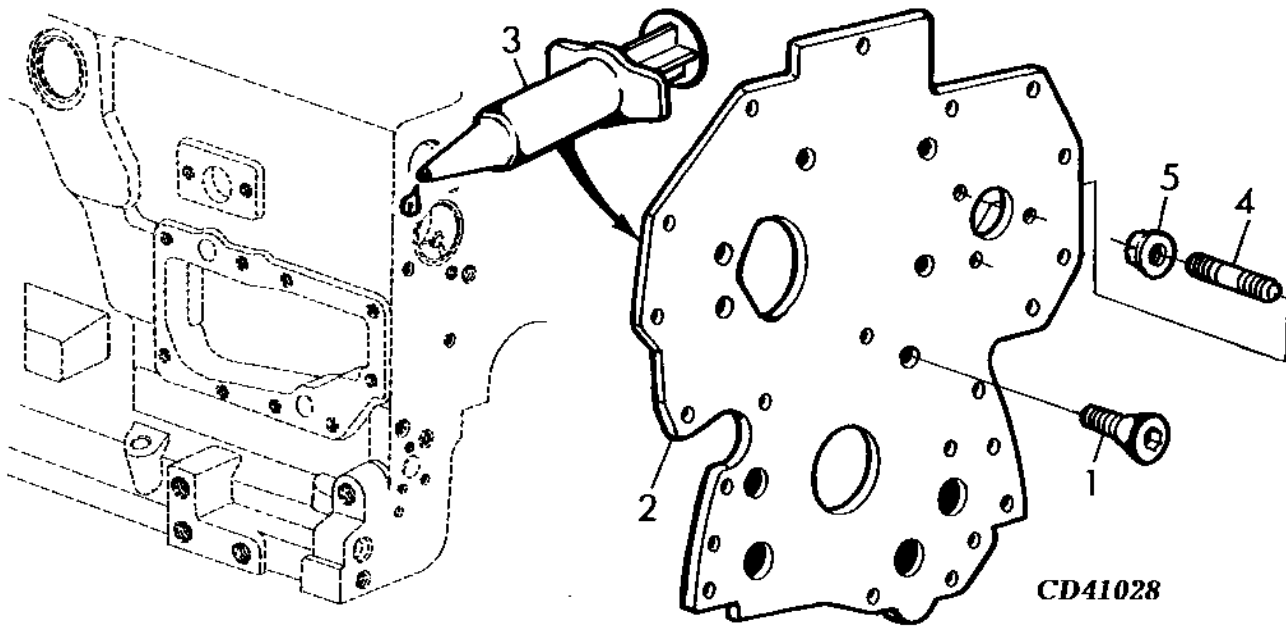
KEY	PART NO.	PART NAME	QTY	ENGINE SERIAL NO.	0 6 8 T & H	REMARKS
1	RE59810	SEAL KIT	1		X	FRONT
2	R120631	HELICAL GEAR	1		X	Z = 30
3	RE500016	CRANKSHAFT	1		X	ASSY, INCL KEYS 2,4,5, (MARKED R116076) (ALSO ORDER RE59810 AND RE44574)
4	26M4224	SHAFT KEY	1		X	4 X 16 MM
5	A120R	DOWEL PIN	1		X	
6	RE65165	BEARING KIT	6		X	(KIT R123561 AND R123562) STD
	RE65911	BEARING	AR		X	(KIT R130576 AND R130577) US -0.254 MM
7	RE65168	BEARING KIT	1		X	(KIT R123563 AND R123564) STD
	RE65912	THRUST BEARING	AR		X	(KIT R130574 AND R130575) US -0.254 MM

# 2C24

ENGINE BASE (068)

CD41028 -UN-11MAR96

9912



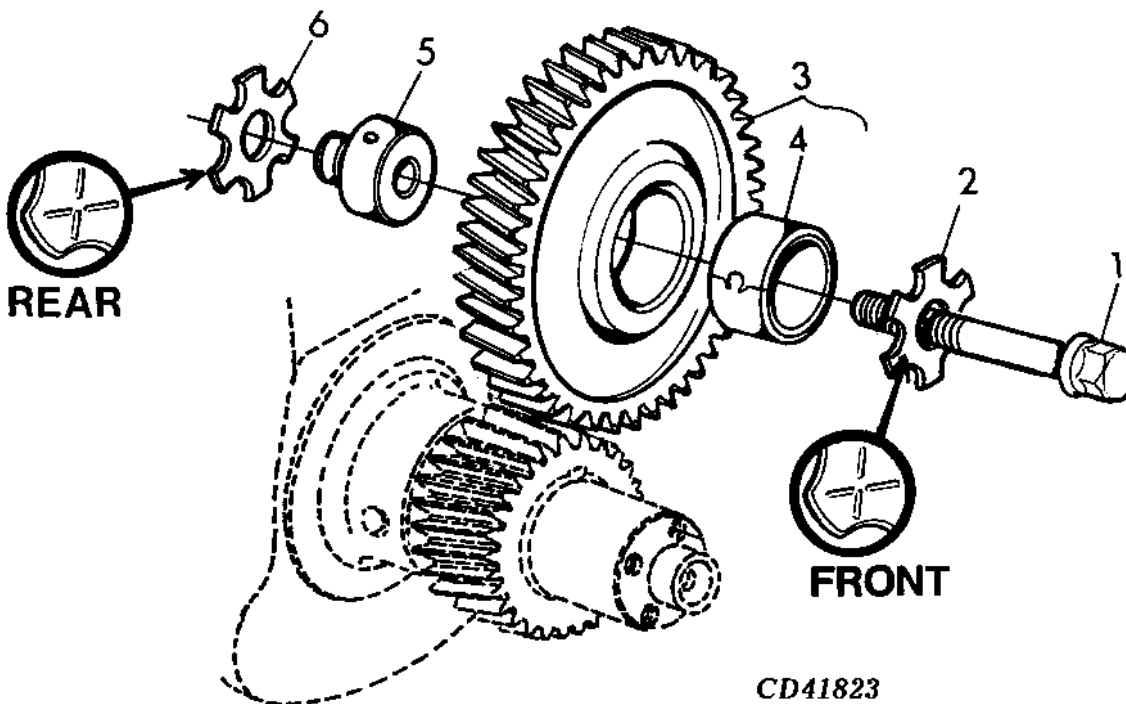
KEY	PART NO.	PART NAME	QTY	ENGINE SERIAL NO.	0 6 8 T & H	REMARKS
1	R136475	SCREW	4		X	
2	R134527	PLATE	1		X	
3	DD15664	LIQUID GASKET	1		X	
4	R116386	STUD	3		X	
5	14M7298	FLANGE NUT	3		X	M8, (10)

# 2C25

ENGINE BASE (068)

CD41823 -UN-09APR98

9913



CD41823

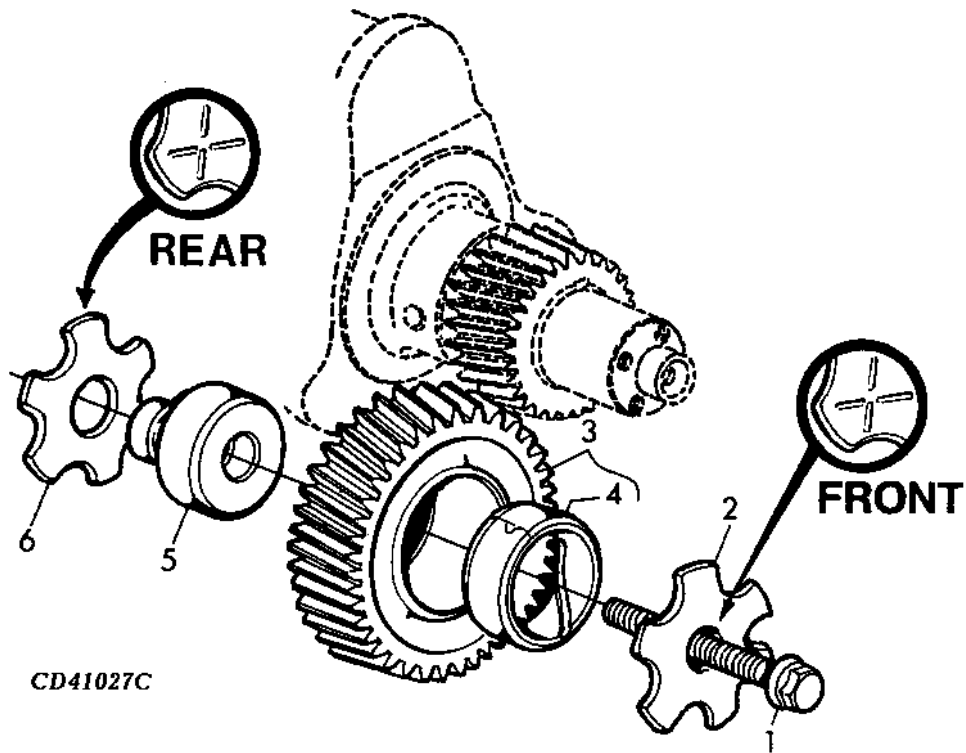
KEY	PART NO.	PART NAME	QTY	ENGINE SERIAL NO.	REMARKS
					0
					6
					8
					T
					&
					H
1	19M7807	SCREW	1		X M10 X 60, (10.9)
2	R131283	THRUST WASHER	1		X 11 X 60 X 3MM
3	RE500631	HELICAL GEAR	1		X Z = 49, (MARKED R500363) ASSY
4	T20034	BUSHING	1		X
5	R109863	SHAFT	1		X OD 44.5MM
6	R101225	THRUST WASHER	1		X 22 X 60 X 3MM

# 2D1

ENGINE BASE (068)

CD41027C -UN-10APR98

9914



CD41027C

0  
6  
8  
T  
&  
H

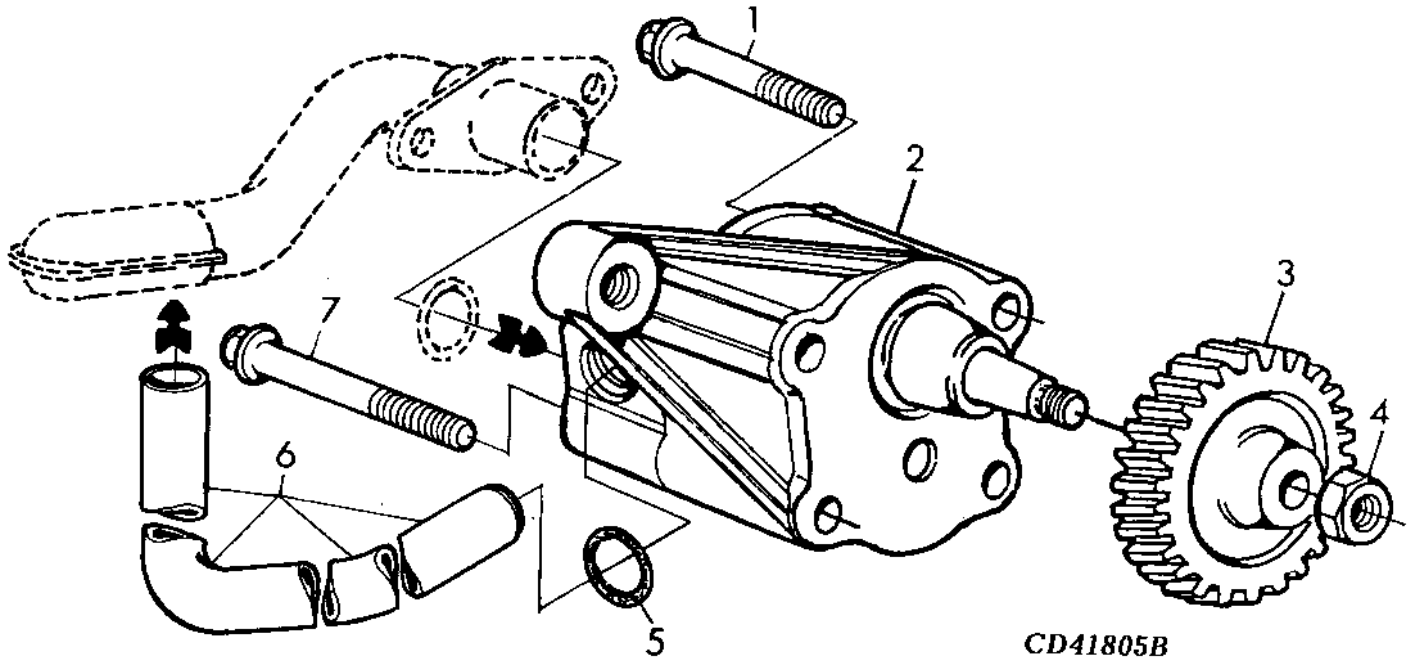
KEY	PART NO.	PART NAME	QTY	ENGINE SERIAL NO.	REMARKS
1	19M8292	SCREW	1		X M10 X 50, (10.9)
2	R131283	THRUST WASHER	1		X 11 X 60 X 3MM
3	RE56369	HELICAL GEAR	1		X Z = 43, (MARKED R120636)
4	R114193	BUSHING	1		X OD 47.7MM
5	R114194	SHAFT	1		X OD 44.5MM
6	R101225	THRUST WASHER	1		X 22 X 60 X 3MM

# 2D2

ENGINE BASE (068)

CD41805B -UN-24FEB99

9915



CD41805B

KEY	PART NO.	PART NAME	QTY	ENGINE SERIAL NO.	0 6 8 T & H	REMARKS
1	19M7802	SCREW	2		X	M8 X 65, (10.9)
2	RE502269	OIL PUMP	1		X	ASSY, INCL KEY 5
3	R120638	HELICAL GEAR	1		X	Z = 30
4	14M7066	NUT	1		X	M12
5	R97185	O-RING	1		X	
6	R121376	TUBE	1		X	
7	19M8986	SCREW	2		X	M8 X 100, (10.9)

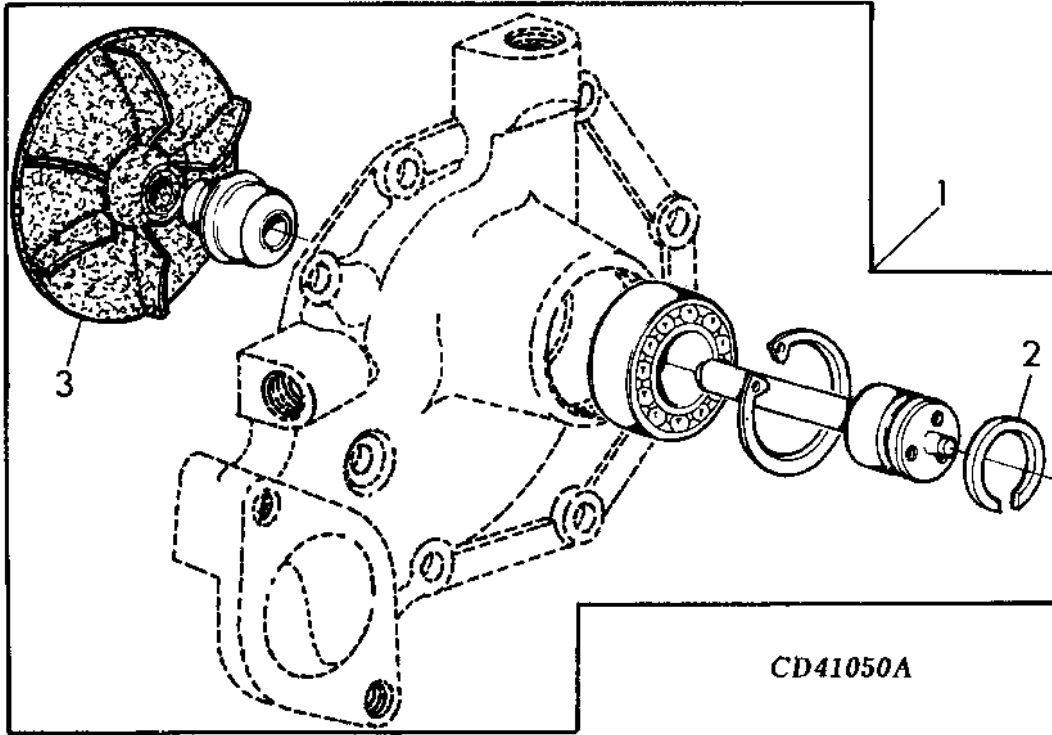


# 2D3

ENGINE BASE (068)

CD41050A -UN-13AUG96

9916



KEY	PART NO.	PART NAME	QTY	ENGINE SERIAL NO.	REMARKS
1	RE70962	KIT	AR		X (ALSO ORDER R123417 AND (2) R123226)
2	A364R	SNAP RING	1		X
3	.....	IMPELLER	1		X MARKED R123395 , ORD RE70962

0  
6  
8  
T  
&  
H

**MEMORANDA**

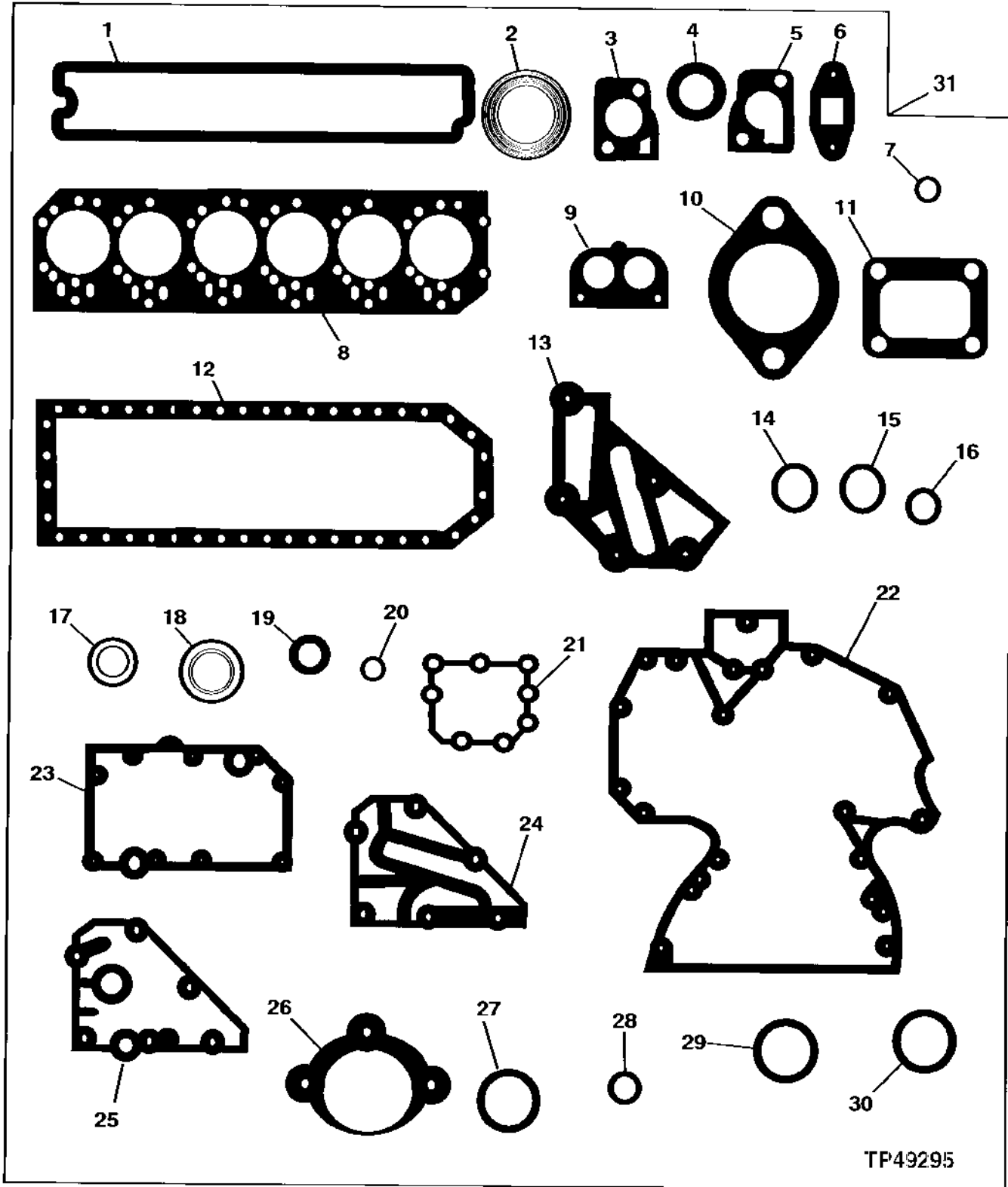
# 2D4

ENGINE BASE (068)

TP49295

-UN-28SEP95

9918



TP49295

# 2D5

ENGINE BASE (068)

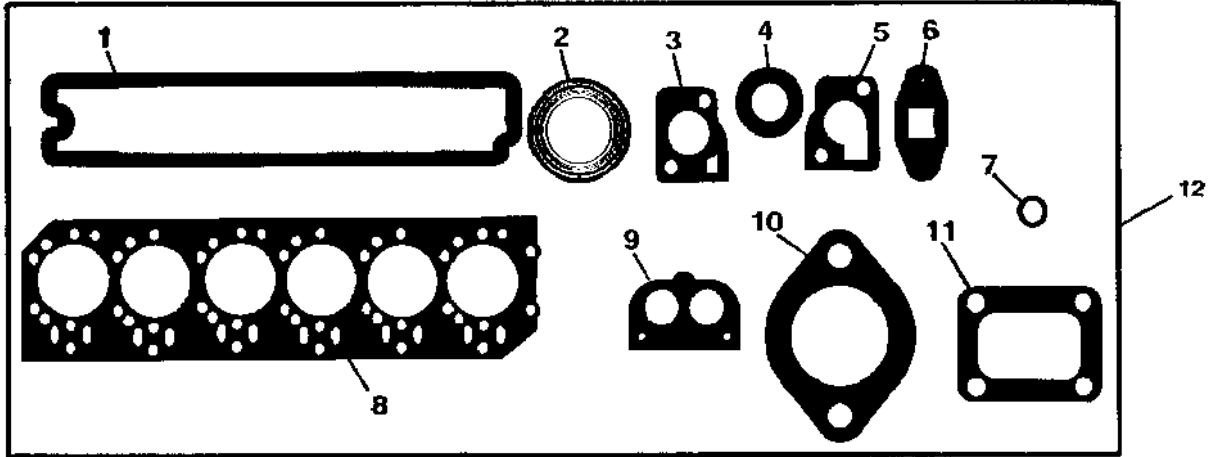
KEY	PART NO.	PART NAME	QTY	ENGINE SERIAL NO.	0 6 8 T & H	REMARKS
1	R123543	GASKET	1		X	
2	R109985	GASKET	6		X	
3	R135896	GASKET	1		X	
4	R123226	GASKET	2		X	
5	R123345	GASKET	1		X	
6	R105346	GASKET	1		X	
7	R123575	GASKET	6		X	
8	R116516	GASKET	1		X	
9	R54638	GASKET	1		X	
10	R81275	GASKET	1		X	
11	R123572	GASKET	1		X	
12	R97344	GASKET	1		X	
13	R123502	GASKET	1		X	
14	R75892	O-RING	1		X	
15	R97185	O-RING	1		X	
16	R61871	O-RING	1		X	
17	A4827R	WASHER	1		X	
18	RE44574	SEAL	1		X	
19	RE59810	SEAL KIT	1		X	
20	R123273	O-RING	1		X	
21	R123417	GASKET	1		X	
22	R136515	GASKET	1		X	
	R136516	GASKET	1		X	
23	R123501	GASKET	1		X	
24	R123504	GASKET	1		X	
25	R123525	GASKET	1		X	
26	R53108	GASKET	1		X	
27	R72328	O-RING	4		X	
28	R89944	O-RING	1		X	
29	R61105	O-RING	2		X	
30	T122075	O-RING	2		X	
31	RE501456	GASKET KIT	1		X	

# 2D6

ENGINE BASE (068)

CD41422 -UN-27JUL98

9920



CD41422

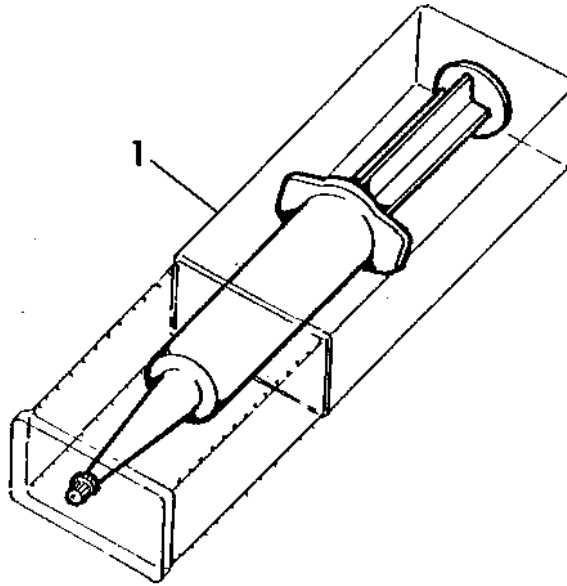
KEY	PART NO.	PART NAME	QTY	ENGINE SERIAL NO.	REMARKS
				0	
				6	
				8	
				T	
				&	
				H	
1	R123543	GASKET	1		X
2	R109985	GASKET	6		X
3	R135896	GASKET	1		X
4	R123226	GASKET	2		X
5	R123345	GASKET	1		X
6	R105346	GASKET	1		X
7	R123575	O-RING	6		X
8	R116516	ENGINE CYLINDER HEAD GASKET	1		X
9	R54638	GASKET	1		X
10	R81275	GASKET	1		X
11	R123572	GASKET	1		X
12	RE66083	GASKET KIT	1		X (ALSO ORDER DD15664)

# 2D7

ENGINE BASE (068)

CD35696 -UN-01JAN94

9921



**CD35696**

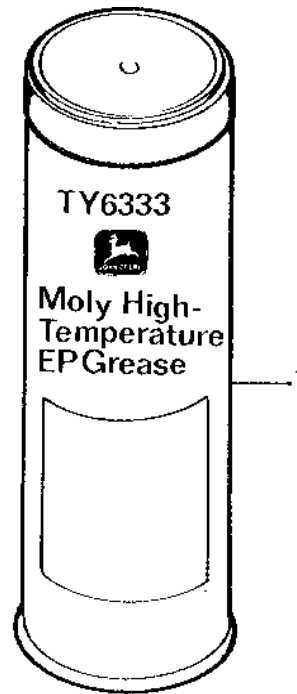
KEY	PART NO.	PART NAME	QTY	ENGINE SERIAL NO.	0 6 8 T & H	REMARKS
1	DD15664	LIQUID GASKET	AR		X	KIT

# 2D8

ENGINE BASE (068)

CD39055 -UN-01JAN94

9922



CD39055

KEY	PART NO.	PART NAME	QTY	ENGINE SERIAL NO.	0 6 8 T & H	REMARKS
1	TY6333	GREASE	AR		X	397 G (14 OZ)

# 2D9

ENGINE BASE (068)

TP6956

-UN-01JAN94

9923



TP6956

KEY	PART NO.	PART NAME	QTY	ENGINE SERIAL NO.	0 6 8 T & H	REMARKS
1	EPH76215-005	COOL-GARD	AR		X	5L
	EPH76215-025	COOL-GARD	AR		X	25L
	EPH76215-050	COOL-GARD	AR		X	50L
	EPH76215-200	COOL-GARD	AR		X	200L

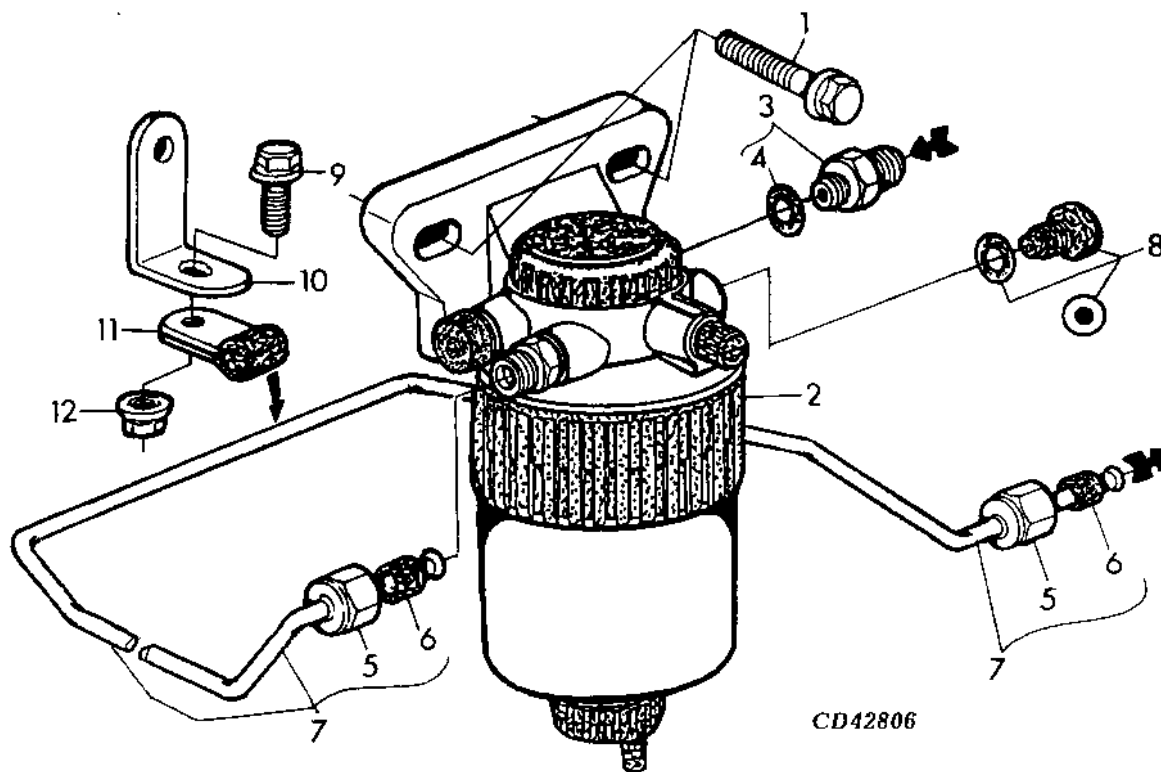


# 2D10

ENGINE BASE (068)

CD42806 -UN-21DEC98

9924



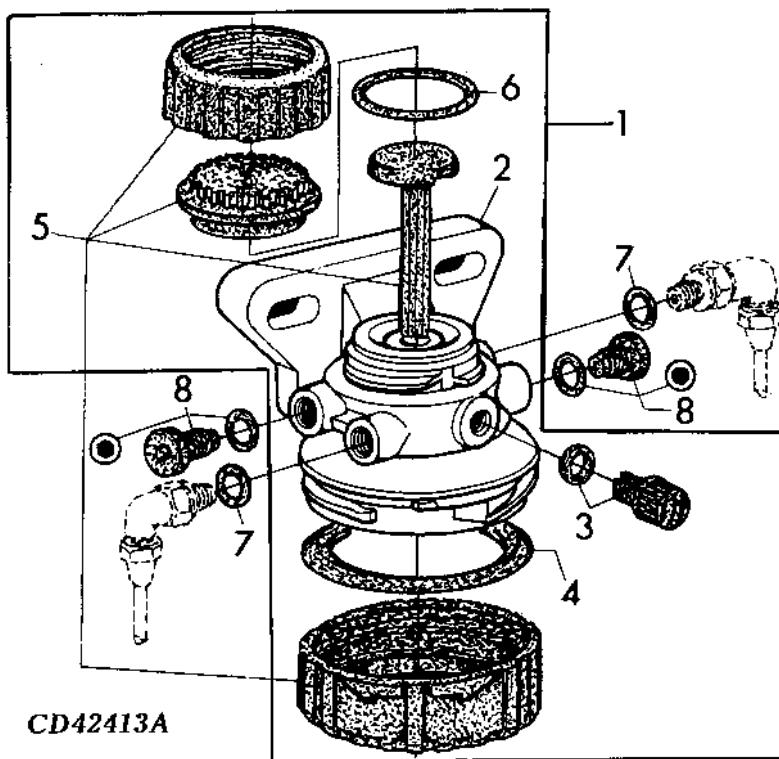
KEY	PART NO.	PART NAME	QTY	ENGINE SERIAL NO.	REMARKS
					0
					6
					8
					T
					&
					H
1	19M7785	SCREW	2		X M10 X 25, (10.9)
2	.....	FUEL FILTER	1		X ASSY, ORD RE500160
3	RE60029	FITTING	2		X M12 X 1.5 X 9/16"-24UNEF
4	51M7040	O-RING	1		X 9.300 X 2.200 MM
5	R123594	NUT	2		X 9/16"-24UNEF
6	R74012	SEALING WASHER	2		X
7	RE60026	FUEL LINE	1		X
8	RE500565	PIPE PLUG	2		X M12 X 1.5
9	19M7865	SCREW	1		X M8 X 16, (10.9)
10	R116116	BRACKET	1		X
11	T14050	CLAMP	1		X
12	14M7298	FLANGE NUT	1		X M8, (10)

# 2D11

ENGINE BASE (068)

CD42413A -UN-18NOV98

9925



KEY	PART NO.	PART NAME	QTY	ENGINE SERIAL NO.	REMARKS
1	RE500160	KIT	1		X (ALSO ORDER (2) 51M7040 AND (2) RE500565)
2	.....	FILTER HEAD	1		X MARKED 32296 , NSEP , ORD RE500160
3	.....	DRAIN PLUG	1		X ORD RE60854
4	R113565	PACKING	1		X
5	.....	RETAINER	1		X ORD RE51649
6	.....	O-RING	1		X ORD RE50752
7	51M7040	O-RING	2		X 9.300 X 2.200 MM
8	RE500565	PIPE PLUG	2		X M12 X 1.5

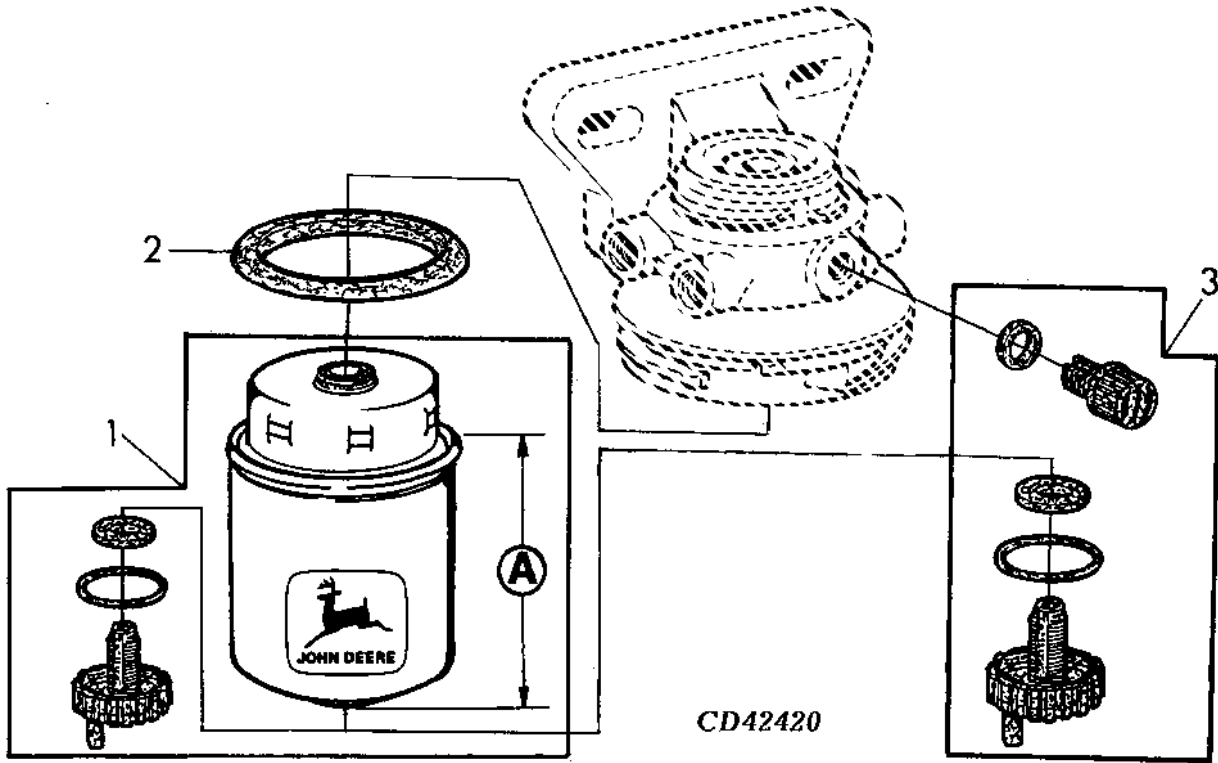
0  
6  
8  
T  
&  
H

# 2D12

ENGINE BASE (068)

CD42420 -UN-03MAR98

9926



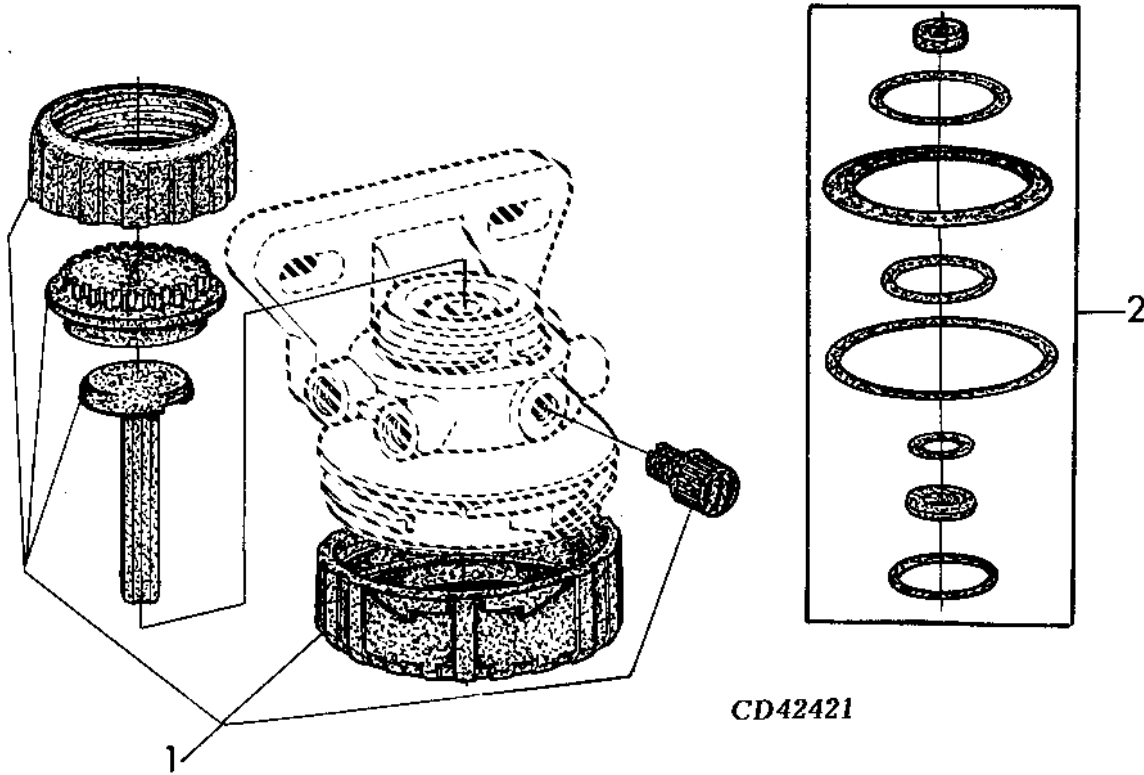
KEY	PART NO.	PART NAME	QTY	ENGINE SERIAL NO.	REMARKS
1	RE60021	FUEL FILTER	1	0 6 8 T & H	X A = 71MM, (ALSO ORDER R113565)
2	R113565	PACKING	1		X
3	RE60854	KIT	1		X

# 2D13

ENGINE BASE (068)

CD42421 -UN-03MAR98

9927



CD42421

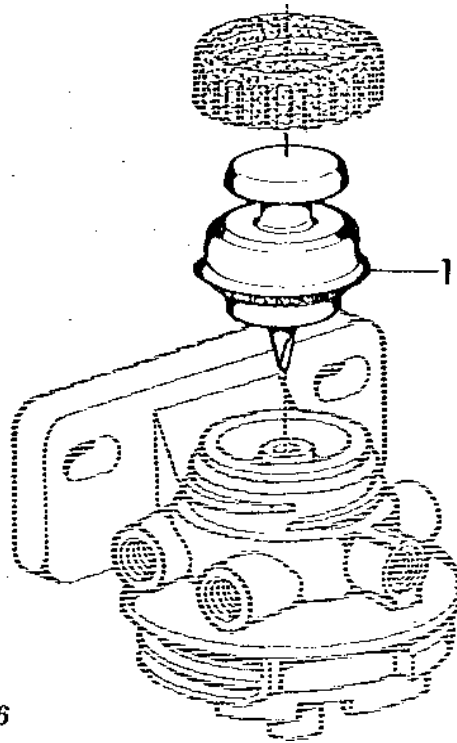
KEY	PART NO.	PART NAME	QTY	ENGINE SERIAL NO.	0 6 8 T & H	REMARKS
1	RE51649	KIT	AR		X	INCL. INSTRUCTIONS
2	RE50752	SEAL KIT	AR		X	

# 2D14

ENGINE BASE (068)

CD39026 -UN-01JAN94

9928



CD39026

KEY	PART NO.	PART NAME	QTY	ENGINE SERIAL NO.	0 6 8 T & H	REMARKS
1	RE50467	HAND PRIMER	1		X	(A)

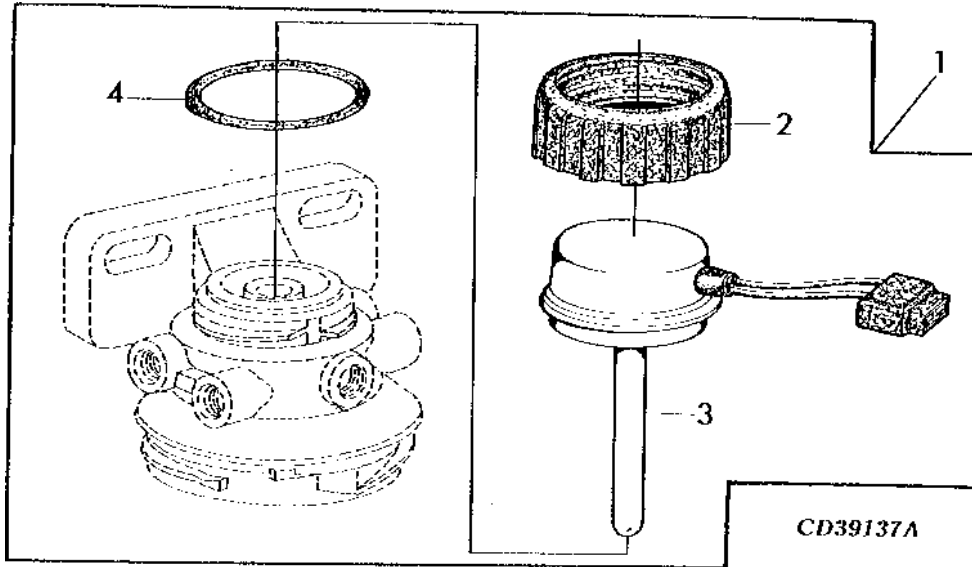
(A) ACCESSORY

# 2D15

ENGINE BASE (068)

CD39137A -UN-01JAN94

9929



KEY	PART NO.	PART NAME	QTY	ENGINE SERIAL NO.	0 6 8 T & H	REMARKS
1	RE51648	KIT	AR		X	(A) INCL. INSTRUCTIONS
2	.....	WING NUT	1		X	ORD KIT RE51649
3	.....	HEATER	1		X	(12V - 150W) ORD KIT RE51648
4	.....	O-RING	1		X	ORD KIT RE50752

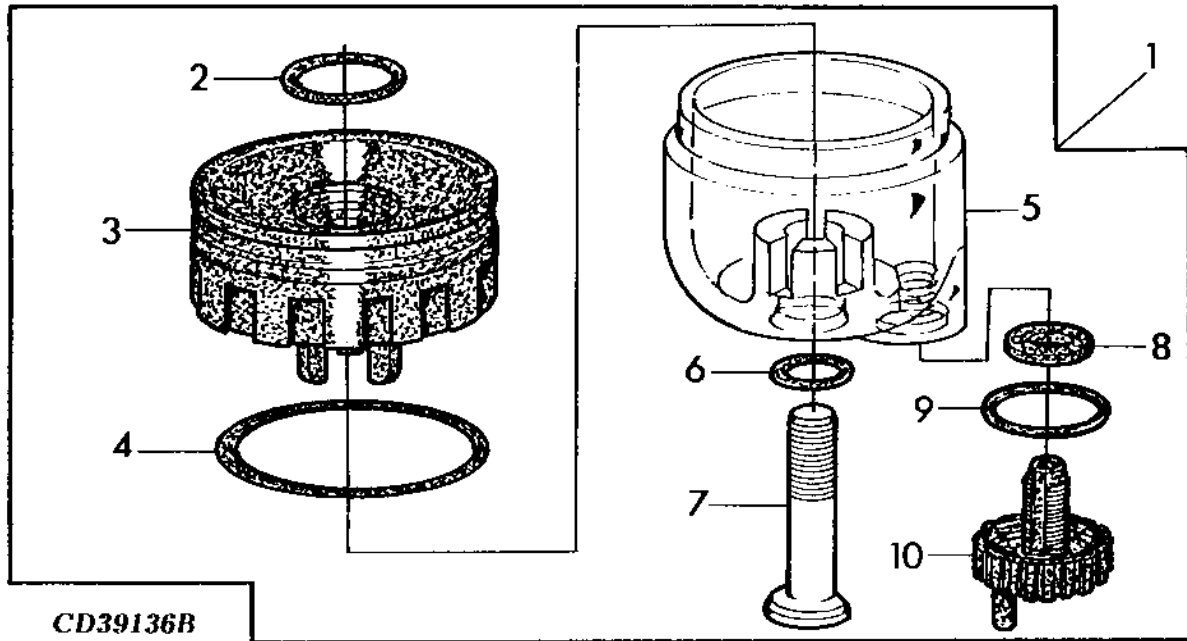
(A) ACCESSORY

# 2D16

ENGINE BASE (068)

CD39136B -UN-15FEB96

9930



KEY	PART NO.	PART NAME	QTY	ENGINE SERIAL NO.	REMARKS
1	RE51650	SEDIMENT BOWL	AR		X (A) KIT, INCL. INSTRUCTIONS
2	.....	O-RING	1		X ORD KIT RE50752
3	.....	WING NUT	1		X ORD KIT RE51650
4	.....	O-RING	1		X ORD KIT RE50752
5	.....	SEDIMENT BOWL	1		X ORD KIT RE51650
6	.....	O-RING	1		X ORD KIT RE50752
7	.....	SCREW	1		X ORD KIT RE51650
8	.....	GASKET	1		X ORD KIT RE60854
9	.....	O-RING	1		X ORD KIT RE60854
10	.....	DRAIN PLUG	1		X ORD KIT RE60854

(A) ACCESSORY

## NUMERICAL INDEX

PART NO.	GRID	KEY	PAGE	PART NO.	GRID	KEY	PAGE	PART NO.	GRID	KEY	PAGE
AR21837	1G7	6	3900 - 3909	DD15664	2B11	1	9800 - 9807	RE36935	1C17	1	1600 - 1699E
AR21837	1H20	1	5900 - 5906A	DD15664	2B16	3	9800 - 9812	RE36939	1C17	1	1600 - 1699E
AR65294	1C24	5	1700 - 1735	DD15664	2B22	32	9800 - 9819	RE38009	1G4	1	3700 - 3704
AR65294	1C25	4	1700 - 1740	DD15664	2B23	12	9800 - 9820	RE38028	1K16	19	9700 - 9712
AR65294	1D1	4	1700 - 1748	DD15664	2B24	1	9800 - 9821	RE42733	1K13	1	9700 - 9709
AR65507	1K12	5	9700 - 9708	DD15664	2C19	1	9900 - 9907	RE42762	1B6	3	1100 - 1104
AR65507	1K23	2	9700 - 9719	DD15664	2C24	3	9900 - 9912	RE43284	1C13	1	1600 - 1699A
AR65507	2B13	5	9800 - 9809	DD15664	2D6	12	9900 - 9920	RE43284	1C14	1	1600 - 1699B
AR65507	2B22	32	9800 - 9819	DD15664	2D7	1	9900 - 9921	RE43285	1C13	2	1600 - 1699A
AR65507	2C21	5	9900 - 9909	EPH76215-005	1L1	1	9700 - 9722	RE43285	1C14	2	1600 - 1699B
AR67942	1G25	16	4400 - 4499	EPH76215-005	2C1	1	9800 - 9823	RE43286	1C13	3	1600 - 1699A
AR67942	1K14	2	9700 - 9710	EPH76215-005	2D9	1	9900 - 9923	RE43286	1C14	3	1600 - 1699B
AR67942	1K15	2	9700 - 9711	EPH76215-025	1L1	1	9700 - 9722	RE43287	1C13	4	1600 - 1699A
AR67942	1K16	9	9700 - 9712	EPH76215-025	2C1	1	9800 - 9823	RE43287	1C14	4	1600 - 1699B
AR89852	1C13	5	1600 - 1699A	EPH76215-025	2D9	1	9900 - 9923	RE44205	1B6	1	1100 - 1104
AR91660	1K18	3	9700 - 9714	EPH76215-050	1L1	1	9700 - 9722	RE44574	1B21	7	1400 - 1403
AT13740	1K11	41	9700 - 9707	EPH76215-050	2C1	1	9800 - 9823	RE44574	1B22	11	1400 - 1404
AT13740	2B9	24	9800 - 9805	EPH76215-050	2D9	1	9900 - 9923	RE44574	1B23	9	1400 - 1421
AT13740	2C17	25	9900 - 9905	EPH76215-200	1L1	1	9700 - 9722	RE44574	1B24	8	1400 - 1433
AT18904	1F9	3	2900 - 2904	EPH76215-200	2C1	1	9800 - 9823	RE44574	1K14	12	9700 - 9710
AT18904	1I20	15	6500 - 6576A	EPH76215-200	2D9	1	9900 - 9923	RE44574	1K15	12	9700 - 9711
AT21139	1K8	2	9700 - 9704	E1343FN	1E10	4	2300 - 2312	RE44574	2B15	3	9800 - 9811
AT21140	1K8	1	9700 - 9704	H1058R	1H1	2	4400 - 4499A	RE44574	2B22	18	9800 - 9819
AT21191	1K17	4	9700 - 9713	H23125	1B4	1	1100 - 1101	RE44574	2C23	3	9900 - 9911
AT21191	1K17	6	9700 - 9713	H23125	1B5	1	1100 - 1102	RE44574	2D5	18	9900 - 9919
AT21535	1G11	2	4000 - 4003	H35244	1B18	5	1300 - 1317	RE46684	1C23	6	1700 - 1712
AT22919	1K17	4	9700 - 9713	H35244	1K14	15	9700 - 9710	RE46684	1D19	3	2100 - 2101
AT22919	1K17	7	9700 - 9713	L39334	1F13	3	3000 - 3009	RE46684	1D19	6	2100 - 2101
AT24252	1K19	3	9700 - 9715	M1746T	1H1	1	4400 - 4499A	RE46685	1G22	5	4400 - 4401A
AT24834	1E21	3	2500 - 2508	M41029	1K13	4	9700 - 9709	RE46685	1G24	5	4400 - 4403A
AT31819	1E19	4	2500 - 2501	M43551	1I20	5	6500 - 6576A	RE46685	1H15	6	5900 - 5901
AT31819	1E20	4	2500 - 2507	M87733	1I18	1	6500 - 6503A	RE46685	1H17	6	5900 - 5902
AT32333	1C11	7	1600 - 16KG	M87733	1I22	1	6500 - 6577A	RE46687	1J21	8	8800 - 8806
AT32333	1C12	7	1600 - 16KH	M87733	1I24	1	6500 - 6578A	RE46784	1C24	3	1700 - 1735
AT32333	1L2	8	9700 - 9723	M87733	1J1	1	6500 - 6579A	RE48368	1K12	3	9700 - 9708
A120R	1K11	8	9700 - 9707	N10215	1I6	6	6200 - 6218	RE48615	1K6	2	9700 - 9702
A120R	1K14	13	9700 - 9710	N10215	1L2	5	9700 - 9723	RE48786	1C18	1	1600 - 1699F
A120R	2B9	2	9800 - 9805	RE13571	1K14	11	9700 - 9710	RE500005	1B4	6	1100 - 1101
A120R	2B15	5	9800 - 9811	RE13571	1K15	10	9700 - 9711	RE500005	1B5	6	1100 - 1102
A120R	2C17	2	9900 - 9905	RE19282	1K12	3	9700 - 9708	RE500013	1J8	4	6800 - 6803
A120R	2C23	5	9900 - 9911	RE19797	1C13	8	1600 - 1699A	RE500016	2C23	3	9900 - 9911
A22698	1K17	9	9700 - 9713	RE19797	1C14	8	1600 - 1699B	RE500160	2C3	1	9800 - 9825
A22698	1L2	16	9700 - 9723	RE19797	1C15	5	1600 - 1699C	RE500160	2D11	1	9900 - 9925
A364R	2B20	2	9800 - 9816	RE19797	1C16	7	1600 - 1699D	RE500168	1G12	1	4000 - 4017
A364R	2D3	2	9900 - 9916	RE19799	1C13	9	1600 - 1699A	RE500398	1C3	2	1500 - 1503
A3910R	1K6	3	9700 - 9702	RE19799	1C14	7	1600 - 1699B	RE500398	1C4	2	1500 - 1505
A4827R	1G21	14	4400 - 4401	RE19799	1C15	7	1600 - 1699C	RE500565	1H15	8	5900 - 5901
A4827R	1G23	14	4400 - 4403	RE19799	1C16	9	1600 - 1699D	RE500565	1H17	8	5900 - 5902
A4827R	1G25	12	4400 - 4499	RE19800	1C16	10	1600 - 1699D	RE500565	2C2	8	9800 - 9824
A4827R	1K16	15	9700 - 9712	RE21076	1K13	1	9700 - 9709	RE500565	2C3	1	9800 - 9825
A4827R	2B22	17	9800 - 9819	RE22678	1K12	1	9700 - 9708	RE500565	2C3	8	9800 - 9825
A4827R	2D5	17	9900 - 9919	RE23181	1I20	6	6500 - 6576A	RE500565	2D10	8	9900 - 9924
B153R	1K11	9	9700 - 9707	RE24458	1K12	1	9700 - 9708	RE500565	2D11	1	9900 - 9925
B153R	2B9	9	9800 - 9805	RE25335	1I20	13	6500 - 6576A	RE500565	2D11	8	9900 - 9925
B153R	2C17	9	9900 - 9905	RE25933	1C14	5	1600 - 1699B	RE500611	1D8	5	1900 - 1950A
CD15466	1K12	6	9700 - 9708	RE27348	1K13	7	9700 - 9709	RE500631	2B17	3	9800 - 9813
CD16284	1K6	3	9700 - 9702	RE27348	1K14	9	9700 - 9710	RE500631	2C25	3	9900 - 9913
CD16284	2B6	3	9800 - 9802	RE27349	1K13	7	9700 - 9709	RE500734	1G24	3	4400 - 4403A
CD16284	2C14	3	9900 - 9902	RE27349	1K15	11	9700 - 9711	RE500737	1G22	3	4400 - 4401A
CD16607	2B6	3	9800 - 9802	RE27351	1K15	9	9700 - 9711	RE501455	2B11	1	9800 - 9807
CD16607	2C14	3	9900 - 9902	RE27352	1K14	8	9700 - 9710	RE501455	2B22	32	9800 - 9819
DD12120	1K5	2	9700 - 9701	RE27353	1K15	8	9700 - 9711	RE501456	2C19	1	9900 - 9907
DD15070	1K15	1	9700 - 9711	RE31617	1K7	4	9700 - 9703	RE501456	2D5	31	9900 - 9919
DD15664	1B21	6	1400 - 1403	RE31617	2B7	4	9800 - 9803	RE501634	1F21	1	3100 - 3115
DD15664	1B22	12	1400 - 1404	RE31617	2C15	4	9900 - 9903	RE501938	1G21	21	4400 - 4401
DD15664	1B24	6	1400 - 1433	RE31973	1K5	8	9700 - 9701	RE501938	1G23	21	4400 - 4403
DD15664	1K24	1	9700 - 9720	RE32140	1B6	4	1100 - 1104	RE502079	1G16	1	4300 - 4302



## NUMERICAL INDEX - CONTINUED

PART NO.	GRID	KEY	PAGE	PART NO.	GRID	KEY	PAGE	PART NO.	GRID	KEY	PAGE
RE502269	2B11	1	9800-9807	RE56375	2B12	6	9800-9808	RE62158	1L2	10	9700-9723
RE502269	2B19	2	9800-9815	RE56578	2C20	6	9900-9908	RE62158	1L3	1	9700-9724
RE502269	2C19	1	9900-9907	RE56667	1L2	11	9700-9723	RE62158	1L3	8	9700-9724
RE502269	2D2	2	9900-9915	RE56690	1H17	2	5900-5902	RE62310	1I13	2	6400-6412
RE502422	1K11	26	9700-9707	RE57234	2B6	2	9800-9802	RE62310	1I14	2	6400-6413
RE502422	2B9	4	9800-9805	RE57482	1D5	4	1900-1908	RE62627	1F19	6	3100-3106
RE502422	2C17	4	9900-9905	RE57482	1D6	3	1900-1949	RE62627	1F21	7	3100-3115
RE502446	1H5	1	4500-4501A	RE57489	2C14	2	9900-9902	RE62658	1K21	1	9700-9717
RE502447	1H5	1	4500-4501A	RE57619	1D6	11	1900-1949	RE62666	1F14	2	3000-3009A
RE502948	1I25	2	6500-6579	RE57960	1F19	8	3100-3106	RE62666	1F16	2	3000-3052A
RE503048	1C7	1	1600-16GQ	RE58515	1F20	2	3100-3106A	RE62670	1F14	3	3000-3009A
RE503049	1C9	1	1600-16GS	RE58515	1F22	2	3100-3115A	RE62670	1F16	3	3000-3052A
RE503050	1C8	1	1600-16GR	RE58915	1G4	7	3700-3704	RE62672	1F14	4	3000-3009A
RE503051	1C10	1	1600-16GT	RE59296	1H15	2	5900-5901	RE62672	1F16	4	3000-3052A
RE503056	1I23	2	6500-6578	RE59341	1C25	2	1700-1740	RE62673	1F14	5	3000-3009A
RE503073	1F14	1	3000-3009A	RE59438	1I24	9	6500-6578A	RE62673	1F16	5	3000-3052A
RE503073	1F16	1	3000-3052A	RE59438	1J1	9	6500-6579A	RE63497	1F20	1	3100-3106A
RE503093	1F13	4	3000-3009	RE59447	1C15	1	1600-1699C	RE63497	1F22	1	3100-3115A
RE503093	1F15	4	3000-3052	RE59448	1C15	2	1600-1699C	RE63674	1K11	40	9700-9707
RE503097	1I21	2	6500-6577	RE59449	1C15	3	1600-1699C	RE63674	2B9	15	9800-9805
RE503100	1I20	22	6500-6576A	RE59450	1C15	4	1600-1699C	RE63674	2C17	14	9900-9905
RE503101	1D5	9	1900-1908	RE59469	1D1	2	1700-1748	RE63913	1K13	3	9700-9709
RE503101	1D6	8	1900-1949	RE59547	1I18	9	6500-6503A	RE63914	1K13	3	9700-9709
RE503101	1D7	8	1900-1950	RE59547	1I22	9	6500-6577A	RE64211	1D5	12	1900-1908
RE503224	1D8	1	1900-1950A	RE59754	1J21	5	8800-8806	RE64243	1C11	1	1600-16KG
RE503264	1D14	1	2000-2026	RE59810	2B15	1	9800-9811	RE64290	1K23	1	9700-9719
RE503272	1D15	1	2000-2027	RE59810	2B15	3	9800-9811	RE64291	1K23	3	9700-9719
RE503300	1I11	3	6400-6410	RE59810	2B22	19	9800-9819	RE64292	1C17	14	1600-1699E
RE503722	1I20	22	6500-6576A	RE59810	2C23	1	9900-9911	RE64292	1C18	14	1600-1699F
RE503867	1J11	1	7600-7622	RE59810	2C23	3	9900-9911	RE64354	1E4	1	2200-2201
RE503882	1J4	1	6600-6608	RE59810	2D5	19	9900-9919	RE64354	1E5	1	2200-2204
RE503883	1J5	1	6600-6609	RE59906	1J21	3	8800-8806	RE65165	2B15	6	9800-9811
RE503927	1I12	2	6400-6411	RE59922	1I18	3	6500-6503A	RE65165	2C23	6	9900-9911
RE50467	1L6	1	9700-9727	RE59922	1I22	3	6500-6577A	RE65168	2B15	7	9800-9811
RE50467	2C6	1	9800-9828	RE59922	1I24	3	6500-6578A	RE65168	2C23	7	9900-9911
RE50467	2D14	1	9900-9928	RE59922	1J1	3	6500-6579A	RE65201	1C17	14	1600-1699E
RE50618	2B15	3	9800-9811	RE60005	1K7	2	9700-9703	RE65224	1K14	1	9700-9710
RE50752	1L5	2	9700-9726	RE60005	2B7	2	9800-9803	RE65908	2B14	6	9800-9810
RE50752	2C5	2	9800-9827	RE60005	2C15	2	9900-9903	RE65908	2C22	6	9900-9910
RE50752	2D13	2	9900-9927	RE60021	1L4	1	9700-9725	RE65909	2B14	6	9800-9810
RE50770	2B14	1	9800-9810	RE60021	2C4	1	9800-9826	RE65909	2C22	6	9900-9910
RE50770	2C22	1	9900-9910	RE60021	2D12	1	9900-9926	RE65911	2B15	6	9800-9811
RE50809	1C12	1	1600-16KH	RE60025	2C2	7	9800-9824	RE65911	2C23	6	9900-9911
RE51527	1K16	1	9700-9712	RE60026	2D10	7	9900-9924	RE65912	2B15	7	9800-9811
RE51648	1L7	1	9700-9728	RE60029	1C7	11	1600-16GQ	RE65912	2C23	7	9900-9911
RE51648	2C7	1	9800-9829	RE60029	1C8	11	1600-16GR	RE65957	2B11	1	9800-9807
RE51648	2D15	1	9900-9929	RE60029	1C9	11	1600-16GS	RE65959	2C19	1	9900-9907
RE51649	1L5	1	9700-9726	RE60029	1C10	11	1600-16GT	RE65969	2B13	1	9800-9809
RE51649	2C5	1	9800-9827	RE60029	2C2	3	9800-9824	RE65969	2C21	1	9900-9909
RE51649	2D13	1	9900-9927	RE60029	2D10	3	9900-9924	RE65978	1I18	10	6500-6503A
RE51650	1L8	1	9700-9729	RE60037	1G3	10	3700-3702	RE65978	1I22	10	6500-6577A
RE51650	2C8	1	9800-9830	RE60046	1I17	2	6500-6503	RE65978	1I24	10	6500-6578A
RE51650	2D16	1	9900-9930	RE60055	1C16	1	1600-1699D	RE65978	1J1	10	6500-6579A
RE51870	1K11	1	9700-9707	RE60056	1C16	2	1600-1699D	RE66082	2B23	12	9800-9820
RE52020	1K20	1	9700-9716	RE60057	1C16	3	1600-1699D	RE66083	2D6	12	9900-9920
RE52977	1G25	9	4400-4499	RE60058	1C16	4	1600-1699D	RE66298	1G3	1	3700-3702
RE52977	1K16	10	9700-9712	RE60059	1C16	5	1600-1699D	RE66820	1K12	2	9700-9708
RE54885	1I18	12	6500-6503A	RE60060	1C16	6	1600-1699D	RE66820	2B13	2	9800-9809
RE54885	1I20	17	6500-6576A	RE60071	1C23	4	1700-1712	RE66820	2C21	2	9900-9909
RE54885	1I22	12	6500-6577A	RE60071	1C25	6	1700-1740	RE67231	1H15	1	5900-5901
RE54885	1I24	12	6500-6578A	RE60071	1D1	6	1700-1748	RE67231	1H17	1	5900-5902
RE54885	1J1	12	6500-6579A	RE60112	1C23	2	1700-1712	RE67238	1B11	1	1200-1299A
RE55512	2B13	3	9800-9809	RE60350	1K14	10	9700-9710	RE67238	1B12	1	1200-1299B
RE55512	2C21	3	9900-9909	RE60854	1L4	3	9700-9725	RE67238	1H16	3	5900-5901A
RE55901	1K9	1	9700-9705	RE60854	2C4	3	9800-9826	RE67238	1H18	3	5900-5902A
RE56369	2B18	3	9800-9814	RE60854	2D12	3	9900-9926	RE67238	1J22	2	8800-8806A
RE56369	2D1	3	9900-9914	RE61767	1H20	7	5900-5906A	RE67239	1G21	3	4400-4401

## NUMERICAL INDEX - CONTINUED

PART NO.	GRID	KEY	PAGE	PART NO.	GRID	KEY	PAGE	PART NO.	GRID	KEY	PAGE
RE67239	1G23	3	4400-4403	R109863	1K19	5	9700-9715	R116516	2C14	7	9900-9902
RE68345	1G3	3	3700-3702	R109863	2B17	5	9800-9813	R116516	2D5	8	9900-9919
RE68695	2B5	9	9800-9801	R109863	2C25	5	9900-9913	R116516	2D6	8	9900-9920
RE68695	2C13	9	9900-9901	R109985	1F3	9	2800-2803	R116569	1K6	2	9700-9702
RE68722	1E15	4	2400-2409	R109985	1F4	3	2800-2803	R116617	1F13	8	3000-3009
RE70177	1E10	2	2300-2312	R109985	1F5	3	2800-2808	R116617	1F15	8	3000-3052
RE70400	1B5	4	1100-1102	R109985	2B22	2	9800-9819	R119210	1K11	33	9700-9707
RE70401	1B4	4	1100-1101	R109985	2B23	2	9800-9820	R119220	1B18	3	1300-1317
RE70536	1J18	2	8700-8702	R109985	2D5	2	9900-9919	R119565	2C17	1	9900-9905
RE70848	1C15	8	1600-1699C	R109985	2D6	2	9900-9920	R119874	1K9	5	9700-9705
RE70848	1C16	11	1600-1699D	R110081	1E9	4	2300-2308	R119874	1K11	29	9700-9707
RE70962	2D3	1	9900-9916	R111949	1K6	2	9700-9702	R119874	2B9	7	9800-9805
RE71143	1D7	11	1900-1950	R113565	1L3	4	9700-9724	R119874	2C17	7	9900-9905
RE71240	2B20	1	9800-9816	R113565	1L4	1	9700-9725	R119988	1L2	4	9700-9723
RT7700040288	1F13	4	3000-3009	R113565	1L4	2	9700-9725	R120247	1D5	6	1900-1908
RT7700040288	1F13	9	3000-3009	R113565	2C3	4	9800-9825	R120247	1D6	5	1900-1949
RT7700040288	1F15	4	3000-3052	R113565	2C4	1	9800-9826	R120467	1F10	2	2900-2904A
RT7700040288	1F15	9	3000-3052	R113565	2C4	2	9800-9826	R120586	1B23	1	1400-1421
R100105	1K19	7	9700-9715	R113565	2D11	4	9900-9925	R120631	2B15	2	9800-9811
R100377	1I5	5	6200-6201A	R113565	2D12	1	9900-9926	R120631	2C23	2	9900-9911
R100850	1K15	1	9700-9711	R113565	2D12	2	9900-9926	R120636	2B18	3	9800-9814
R10093	1G11	3	4000-4003	R113596	2B15	3	9800-9811	R120636	2D1	3	9900-9914
R101201	1C17	6	1600-1699E	R113698	2B14	6	9800-9810	R120637	1H4	4	4500-4501
R101225	1K18	6	9700-9714	R113698	2C22	6	9900-9910	R120637	1H5	3	4500-4501A
R101225	1K19	6	9700-9715	R113752	1K20	6	9700-9716	R120638	2B19	3	9800-9815
R101225	2B17	6	9800-9813	R114081	2B14	1	9800-9810	R120638	2D2	3	9900-9915
R101225	2B18	6	9800-9814	R114081	2C22	1	9900-9910	R120639	1H4	4	4500-4501
R101225	2C25	6	9900-9913	R114082	2B14	3	9800-9810	R120639	1H5	3	4500-4501A
R101225	2D1	6	9900-9914	R114082	2C22	3	9900-9910	R120966	1L2	13	9700-9723
R101227	1K18	2	9700-9714	R114083	2B14	2	9800-9810	R121018	1K14	6	9700-9710
R101227	1K19	2	9700-9715	R114083	2C22	2	9900-9910	R121036	1G22	8	4400-4401A
R102901	1D14	8	2000-2026	R114102	1G11	4	4000-4003	R121036	2B20	3	9800-9816
R102901	1D15	8	2000-2027	R114193	2B18	4	9800-9814	R121038	1D13	2	2000-2002
R104536	1I18	11	6500-6503A	R114193	2D1	4	9900-9914	R121039	1B22	8	1400-1404
R104536	1I20	16	6500-6576A	R114194	2B18	5	9800-9814	R121194	1K11	36	9700-9707
R104536	1I22	11	6500-6577A	R114194	2D1	5	9900-9914	R121376	2B19	6	9800-9815
R104536	1I24	11	6500-6578A	R114241	2B9	17	9800-9805	R121376	2D2	6	9900-9915
R104536	1J1	11	6500-6579A	R114241	2C17	17	9900-9905	R121402	2B6	2	9800-9802
R104592	1B22	2	1400-1404	R114358	1J21	7	8800-8806	R121411	1G21	10	4400-4401
R104592	1B23	2	1400-1421	R115081	2B9	1	9800-9805	R121411	1G23	10	4400-4403
R104592	1C22	5	1700-1703	R115250	1D12	2	2000-2001	R121413	1K14	10	9700-9710
R104592	1K6	6	9700-9702	R115252	1H16	7	5900-5901A	R121424	1G21	11	4400-4401
R104592	1K11	25	9700-9707	R115252	1H18	7	5900-5902A	R121424	1G23	11	4400-4403
R104592	2B6	4	9800-9802	R115280	1K20	7	9700-9716	R121568	1C24	6	1700-1735
R104592	2B9	22	9800-9805	R115299	1H4	5	4500-4501	R121568	1C25	5	1700-1740
R104592	2C14	4	9900-9902	R115299	1H5	9	4500-4501A	R121568	1D1	5	1700-1748
R104592	2C17	22	9900-9905	R115299	2B9	11	9800-9805	R121608	2C14	2	9900-9902
R104907	1C12	12	1600-16KH	R115335	1K9	3	9700-9705	R121635	1H11	3	5700-5702
R105346	1I20	14	6500-6576A	R115390	2B9	12	9800-9805	R121674	1B5	8	1100-1102
R105346	2B22	32	9800-9819	R115390	2C17	12	9900-9905	R121897	1B16	1	1300-1301
R105346	2B23	12	9800-9820	R116076	2C23	3	9900-9911	R122401	1F9	4	2900-2904
R105346	2D5	6	9900-9919	R116078	1H4	2	4500-4501	R122401	1F10	3	2900-2904A
R105346	2D6	6	9900-9920	R116078	1H5	4	4500-4501A	R122417	1G25	7	4400-4499
R105806	1G7	2	3900-3909	R116116	2C2	10	9800-9824	R123161	2B5	7	9800-9801
R106796	1B6	2	1100-1104	R116116	2D10	10	9900-9924	R123161	2C13	7	9900-9901
R106829	1K7	7	9700-9703	R116194	1K11	21	9700-9707	R123177	2B14	5	9800-9810
R106829	2B7	7	9800-9803	R116296	1B11	2	1200-1299A	R123177	2C22	5	9900-9910
R106829	2C15	7	9900-9903	R116296	1B12	2	1200-1299B	R123226	1D19	3	2100-2101
R106831	1K7	5	9700-9703	R116324	1B4	8	1100-1101	R123226	1D19	4	2100-2101
R106831	2B7	5	9800-9803	R116366	1C18	6	1600-1699F	R123226	1D19	8	2100-2101
R106831	2C15	5	9900-9903	R116386	2B16	4	9800-9812	R123226	1G22	3	4400-4401A
R106861	1F3	3	2800-2803	R116386	2C24	4	9900-9912	R123226	1G22	4	4400-4401A
R107731	2B5	10	9800-9801	R116466	2B9	6	9800-9805	R123226	1G24	3	4400-4403A
R107731	2C13	10	9900-9901	R116466	2C17	6	9900-9905	R123226	1G24	4	4400-4403A
R107749	1E15	3	2400-2409	R116515	2B6	7	9800-9802	R123226	2B20	1	9800-9816
R109086	1B18	2	1300-1317	R116515	2B22	8	9800-9819	R123226	2B20	4	9800-9816
R109863	1K18	5	9700-9714	R116515	2B23	8	9800-9820	R123226	2B22	4	9800-9819

## NUMERICAL INDEX - CONTINUED

PART NO.	GRID	KEY	PAGE	PART NO.	GRID	KEY	PAGE	PART NO.	GRID	KEY	PAGE
R123226	2B23	4	9800-9820	R123570	1J1	7	6500-6579A	R132168	1J18	5	8700-8702
R123226	2D3	1	9900-9916	R123570	2B22	6	9800-9819	R132186	2B9	20	9800-9805
R123226	2D5	4	9900-9919	R123570	2B23	6	9800-9820	R132186	2C17	20	9900-9905
R123226	2D6	4	9900-9920	R123572	1I11	4	6400-6410	R132203	1F5	2	2800-2808
R123271	2B5	5	9800-9801	R123572	1I17	3	6500-6503	R132267	1C7	12	1600-16GQ
R123271	2C13	5	9900-9901	R123572	1I20	22	6500-6576A	R132267	1C8	12	1600-16GR
R123273	1G3	4	3700-3702	R123572	1I20	23	6500-6576A	R132267	1C9	12	1600-16GS
R123273	2B22	20	9800-9819	R123572	1I21	3	6500-6577	R132267	1C10	12	1600-16GT
R123273	2D5	20	9900-9919	R123572	1I23	3	6500-6578	R132373	1F4	2	2800-2803A
R123323	1D19	9	2100-2101	R123572	1I25	3	6500-6579	R132518	2B12	2	9800-9808
R123324	1D19	11	2100-2101	R123572	2D5	11	9900-9919	R132518	2C20	2	9900-9908
R123345	2B22	5	9800-9819	R123572	2D6	11	9900-9920	R132874	1C7	4	1600-16GQ
R123345	2B23	5	9800-9820	R123574	1B4	2	1100-1101	R132874	1C8	4	1600-16GR
R123345	2D5	5	9900-9919	R123574	1B5	2	1100-1102	R132874	1C9	4	1600-16GS
R123345	2D6	5	9900-9920	R123575	1B4	3	1100-1101	R132874	1C10	4	1600-16GT
R123352	1D5	5	1900-1908	R123575	1B5	3	1100-1102	R133296	1B16	3	1300-1301
R123352	1D6	4	1900-1949	R123575	2B22	7	9800-9819	R133296	1B17	1	1300-1308
R123352	2B22	13	9800-9819	R123575	2B23	7	9800-9820	R133303	2B12	3	9800-9808
R123353	2B22	12	9800-9819	R123575	2D5	7	9900-9919	R133303	2C20	3	9900-9908
R123395	1G24	8	4400-4403A	R123575	2D6	7	9900-9920	R133405	1G3	11	3700-3702
R123395	2D3	3	9900-9916	R123583	2B22	32	9800-9819	R133812	2B12	4	9800-9808
R123417	1G22	3	4400-4401A	R123583	2B23	12	9800-9820	R133812	2C20	4	9900-9908
R123417	1G22	7	4400-4401A	R123584	1G21	8	4400-4401	R133893	2B22	32	9800-9819
R123417	1G24	3	4400-4403A	R123584	1G23	8	4400-4403	R133893	2B23	12	9800-9820
R123417	1G24	7	4400-4403A	R123591	1J21	4	8800-8806	R134240	1G13	1	4000-4017A
R123417	2B20	1	9800-9816	R123593	1C15	10	1600-1699C	R134357	1H4	1	4500-4501
R123417	2B22	21	9800-9819	R123593	1C16	13	1600-1699D	R134358	1H4	7	4500-4501
R123417	2D3	1	9900-9916	R123593	1C17	8	1600-1699E	R134417	1F19	9	3100-3106
R123417	2D5	21	9900-9919	R123593	1C18	8	1600-1699F	R134518	1G21	7	4400-4401
R123441	1E15	1	2400-2409	R123594	1G3	8	3700-3702	R134518	1G23	7	4400-4403
R123454	1E16	1	2400-2419	R123594	2C2	5	9800-9824	R134527	2B16	2	9800-9812
R123471	1H15	5	5900-5901	R123594	2D10	5	9900-9924	R134527	2C24	2	9900-9912
R123471	1H17	5	5900-5902	R124128	1D5	7	1900-1908	R134531	1G21	17	4400-4401
R123501	1H15	3	5900-5901	R124128	1D6	6	1900-1949	R134531	1G23	17	4400-4403
R123501	1H17	3	5900-5902	R125507	1H20	6	5900-5906A	R134570	1J21	3	8800-8806
R123501	2B22	23	9800-9819	R125508	1H20	8	5900-5906A	R134742	1K21	5	9700-9717
R123501	2D5	23	9900-9919	R126389	1I6	3	6200-6218	R134775	1E10	2	2300-2312
R123502	1H16	5	5900-5901A	R128602	1C22	3	1700-1703	R135177	1H16	4	5900-5901A
R123502	1H18	5	5900-5902A	R128658	1J14	2	8600-8604	R135177	1H18	4	5900-5902A
R123502	2B22	31	9800-9819	R128658	1J15	2	8600-8610	R135270	1J22	6	8800-8806A
R123502	2D5	13	9900-9919	R130574	2B15	7	9800-9811	R135271	1J22	7	8800-8806A
R123504	1J22	8	8800-8806A	R130574	2C23	7	9900-9911	R135896	1D19	5	2100-2101
R123504	2B22	24	9800-9819	R130575	2B15	7	9800-9811	R135896	2B22	3	9800-9819
R123504	2D5	24	9900-9919	R130575	2C23	7	9900-9911	R135896	2B23	3	9800-9820
R123513	2B5	2	9800-9801	R130576	2B15	6	9800-9811	R135896	2D5	3	9900-9919
R123514	2C13	2	9900-9901	R130576	2C23	6	9900-9911	R135896	2D6	3	9900-9920
R123525	2B22	25	9800-9819	R130577	2B15	6	9800-9811	R135916	1J22	4	8800-8806A
R123525	2D5	25	9900-9919	R130577	2C23	6	9900-9911	R135918	1B21	3	1400-1403
R123542	1B4	5	1100-1101	R130578	2B14	6	9800-9810	R135918	1B22	4	1400-1404
R123542	2B22	1	9800-9819	R130578	2C22	6	9900-9910	R135918	1B24	3	1400-1433
R123542	2B23	1	9800-9820	R130586	1D14	2	2000-2026	R136475	2B16	1	9800-9812
R123543	1B5	5	1100-1102	R130586	1D15	2	2000-2027	R136475	2C24	1	9900-9912
R123543	2D5	1	9900-9919	R130883	1K11	11	9700-9707	R136495	1B11	3	1200-1299A
R123543	2D6	1	9900-9920	R131016	1D19	3	2100-2101	R136495	1B12	3	1200-1299B
R123561	2B15	6	9800-9811	R131182	2B9	3	9800-9805	R136515	2B22	22	9800-9819
R123561	2C23	6	9900-9911	R131182	2C17	3	9900-9905	R136515	2D5	22	9900-9919
R123562	2B15	6	9800-9811	R131283	2B17	2	9800-9813	R136516	1G21	18	4400-4401
R123562	2C23	6	9900-9911	R131283	2B18	2	9800-9814	R136516	1G23	18	4400-4403
R123563	2B15	7	9800-9811	R131283	2C25	2	9900-9913	R136516	2B22	22	9800-9819
R123563	2C23	7	9900-9911	R131283	2D1	2	9900-9914	R136516	2D5	22	9900-9919
R123564	2B15	7	9800-9811	R131575	1K12	4	9700-9708	R26125	1K7	3	9700-9703
R123564	2C23	7	9900-9911	R131768	1B21	4	1400-1403	R26125	2B7	3	9800-9803
R123565	2B5	11	9800-9801	R131768	1B22	6	1400-1404	R26125	2C15	3	9900-9903
R123565	2C13	11	9900-9901	R131768	1B23	6	1400-1421	R26286	1C11	8	1600-16KG
R123570	1I18	7	6500-6503A	R131794	1K17	1	9700-9713	R26286	1C12	8	1600-16KH
R123570	1I22	7	6500-6577A	R132166	1I5	2	6200-6201A	R26286	1L2	9	9700-9723
R123570	1I24	7	6500-6578A	R132167	1I4	7	6200-6201	R26286	1L3	1	9700-9724

## NUMERICAL INDEX - CONTINUED

PART NO.	GRID	KEY	PAGE	PART NO.	GRID	KEY	PAGE	PART NO.	GRID	KEY	PAGE
R26286	1L3	7	9700-9724	R53108	2D5	26	9900-9919	R74012	2C2	6	9800-9824
R26493	1K11	13	9700-9707	R53524	1H20	10	5900-5906A	R74012	2D10	6	9900-9924
R26493	2B9	10	9800-9805	R54114	1K13	4	9700-9709	R74354	1K20	4	9700-9716
R26493	2C17	10	9900-9905	R54114	2B14	4	9800-9810	R75892	1K11	38	9700-9707
R27346	1I20	20	6500-6576A	R54114	2C22	4	9900-9910	R75892	1K11	39	9700-9707
R28811	1C3	3	1500-1503	R54565	1K5	1	9700-9701	R75892	1K20	8	9700-9716
R28811	1C4	3	1500-1505	R54565	2B5	1	9800-9801	R75892	2B9	13	9800-9805
R32214	1K11	17	9700-9707	R54565	2C13	1	9900-9901	R75892	2B22	14	9800-9819
R39112	1B22	7	1400-1404	R54638	2B22	9	9800-9819	R75892	2C17	13	9900-9905
R39112	1B24	7	1400-1433	R54638	2B23	9	9800-9820	R75892	2D5	14	9900-9919
R42729	1K5	6	9700-9701	R54638	2D5	9	9900-9919	R75893	1K11	38	9700-9707
R42729	2B5	6	9800-9801	R54638	2D6	9	9900-9920	R75893	1K11	39	9700-9707
R42729	2C13	6	9900-9901	R54641	1G7	5	3900-3909	R77491	1K16	22	9700-9712
R43409	1K6	4	9700-9702	R54802	1K11	7	9700-9707	R78598	1K14	11	9700-9710
R43409	2B6	3	9800-9802	R55233	1K11	28	9700-9707	R78598	1K15	10	9700-9711
R43409	2C14	3	9900-9902	R55233	2B9	23	9800-9805	R79089	1K11	19	9700-9707
R46414	1I20	8	6500-6576A	R55233	2C17	15	9900-9905	R79604	1C17	12	1600-1699E
R48600	1C11	4	1600-16KG	R56101	1G4	5	3700-3704	R79604	1C18	12	1600-1699F
R48600	1C12	4	1600-16KH	R56131	1C7	2	1600-16GQ	R79624	1C11	12	1600-16KG
R48685	1K15	7	9700-9711	R56131	1C8	2	1600-16GR	R79854	1K17	5	9700-9713
R48993	1D15	11	2000-2027	R56131	1C9	2	1600-16GS	R79863	1K17	4	9700-9713
R500001	1B4	7	1100-1101	R56131	1C10	2	1600-16GT	R80033	1K13	2	9700-9709
R500001	1B5	7	1100-1102	R56131	1C11	2	1600-16KG	R80034	1K13	1	9700-9709
R500053	1J8	2	6800-6803	R56131	1C12	2	1600-16KH	R81275	1C22	6	1700-1703
R500116	1G12	2	4000-4017	R56463	1F9	1	2900-2904	R81275	1C23	3	1700-1712
R500266	1H5	6	4500-4501A	R57059	1K20	11	9700-9716	R81275	1C24	4	1700-1735
R500269	1G3	7	3700-3702	R59409	1D5	11	1900-1908	R81275	1C25	3	1700-1740
R500270	1G3	6	3700-3702	R61105	1H16	6	5900-5901A	R81275	1D1	3	1700-1748
R500271	1G3	5	3700-3702	R61105	1H18	6	5900-5902A	R81275	2B22	10	9800-9819
R500271	1G3	7	3700-3702	R61105	2B22	29	9800-9819	R81275	2B23	10	9800-9820
R500320	1E15	5	2400-2409	R61105	2D5	29	9900-9919	R81275	2D5	10	9900-9919
R500321	1J18	4	8700-8702	R61871	1D5	13	1900-1908	R81275	2D6	10	9900-9920
R500349	1D7	4	1900-1950	R61871	1D6	12	1900-1949	R81989	1B18	4	1300-1317
R500349	1D8	4	1900-1950A	R61871	1D7	12	1900-1950	R81989	1K14	14	9700-9710
R500363	2B17	3	9800-9813	R61871	1K20	3	9700-9716	R83063	1H20	2	5900-5906A
R500363	2C25	3	9900-9913	R61871	2B22	16	9800-9819	R83169	1G21	16	4400-4401
R500374	2B22	24	9800-9819	R61871	2D5	16	9900-9919	R83169	1G23	16	4400-4403
R500649	1B16	2	1300-1301	R63548	1I18	1	6500-6503A	R83169	1G25	15	4400-4499
R500650	1H5	7	4500-4501A	R63548	1I18	2	6500-6503A	R83379	1K13	7	9700-9709
R500668	1H5	6	4500-4501A	R63548	1I22	1	6500-6577A	R83379	1K14	9	9700-9710
R500731	1C17	13	1600-1699E	R63548	1I22	2	6500-6577A	R85363	1K6	1	9700-9702
R500731	1C18	13	1600-1699F	R63548	1I24	1	6500-6578A	R85363	2B6	1	9800-9802
R501130	1D19	3	2100-2101	R63548	1I24	2	6500-6578A	R85363	2C14	1	9900-9902
R501144	1D19	8	2100-2101	R63548	1J1	1	6500-6579A	R87748	1K13	7	9700-9709
R501192	1F21	4	3100-3115	R63548	1J1	2	6500-6579A	R87748	1K15	11	9700-9711
R501377	1K11	27	9700-9707	R64449	1I6	4	6200-6218	R87749	1K15	9	9700-9711
R501377	2B9	5	9800-9805	R64525	1I5	6	6200-6201A	R87750	1K15	8	9700-9711
R501377	2C17	5	9900-9905	R65215	1K11	18	9700-9707	R89944	1C11	5	1600-16KG
R501459	2B22	32	9800-9819	R65607	1K16	20	9700-9712	R89944	1H11	4	5700-5702
R501459	2B23	12	9800-9820	R65833	1K12	6	9700-9708	R89944	2B22	28	9800-9819
R501642	1E21	4	2500-2508	R66090	1C17	7	1600-1699E	R89944	2D5	28	9900-9919
R501657	1D7	6	1900-1950	R66090	1C18	7	1600-1699F	R90692	1K7	8	9700-9703
R502007	1I12	1	6400-6411	R67188	1D14	3	2000-2026	R90692	2B7	8	9800-9803
R502008	1I13	1	6400-6412	R67364	1C7	10	1600-16GQ	R90692	2C15	8	9900-9903
R502009	1I14	1	6400-6413	R67364	1C8	10	1600-16GR	R91360	1C7	3	1600-16GQ
R502076	1C7	5	1600-16GQ	R67364	1C9	10	1600-16GS	R91360	1C8	3	1600-16GR
R502076	1C8	5	1600-16GR	R67364	1C10	10	1600-16GT	R91360	1C9	3	1600-16GS
R502076	1C9	5	1600-16GS	R70182	1K18	3	9700-9714	R91360	1C10	3	1600-16GT
R502076	1C10	5	1600-16GT	R70513	1C19	1	1600-1699G	R91360	1C11	3	1600-16KG
R502076	1C12	5	1600-16KH	R71963	1C17	10	1600-1699E	R91360	1C12	3	1600-16KH
R502272	1B24	1	1400-1433	R71963	1C18	10	1600-1699F	R91692	1G21	13	4400-4401
R51936	1C15	9	1600-1699C	R72328	1F10	1	2900-2904A	R91692	1G23	13	4400-4403
R51936	1C16	12	1600-1699D	R72328	1J22	5	8800-8806A	R91692	1G25	11	4400-4499
R51936	1C17	9	1600-1699E	R72328	2B22	27	9800-9819	R91692	1K16	14	9700-9712
R51936	1C18	9	1600-1699F	R72328	2D5	27	9900-9919	R91708	1K11	33	9700-9707
R52819	1F3	8	2800-2803	R73604	1D15	3	2000-2027	R91889	1K7	1	9700-9703
R53108	2B22	26	9800-9819	R74012	1G3	9	3700-3702	R91889	2B7	1	9800-9803

## NUMERICAL INDEX - CONTINUED

PART NO.	GRID	KEY	PAGE	PART NO.	GRID	KEY	PAGE	PART NO.	GRID	KEY	PAGE
R91889	2C15	1	9900-9903	TY9375	1K6	9	9700-9702	T23435	1K11	31	9700-9707
R92097	2B22	11	9800-9819	TY9375	2B6	5	9800-9802	T23442	1K17	8	9700-9713
R92097	2B23	11	9800-9820	TY9375	2B6	6	9800-9802	T23474	1K11	16	9700-9707
R92154	1F9	2	2900-2904	TY9375	2C14	5	9900-9902	T23474	2B9	19	9800-9805
R92179	1I20	9	6500-6576A	TY9375	2C14	6	9900-9902	T23474	2C17	19	9900-9905
R92425	1K6	7	9700-9702	T11917	1C19	6	1600-1699G	T23554	1K8	1	9700-9704
R97185	1K11	20	9700-9707	T122075	1H15	4	5900-5901	T23576	1K8	2	9700-9704
R97185	1K20	5	9700-9716	T122075	1H17	4	5900-5902	T24608	1K11	35	9700-9707
R97185	2B9	14	9800-9805	T122075	2B22	30	9800-9819	T26321	1K19	4	9700-9715
R97185	2B19	5	9800-9815	T122075	2D5	30	9900-9919	T26322	1K19	3	9700-9715
R97185	2B22	15	9800-9819	T13518	1B22	10	1400-1404	T26327	1K18	1	9700-9714
R97185	2C17	11	9900-9905	T13518	1B24	4	1400-1433	T27658	1G21	15	4400-4401
R97185	2D2	5	9900-9915	T13914	1L2	15	9700-9723	T27658	1G23	15	4400-4403
R97185	2D5	15	9900-9919	T14050	2C2	11	9800-9824	T27658	1G25	14	4400-4499
R97344	2D5	12	9900-9919	T14050	2D10	11	9900-9924	T28745	1H4	8	4500-4501
R97348	1I20	4	6500-6576A	T15634	1H4	6	4500-4501	T28850	1C11	10	1600-16KG
R97351	1B23	7	1400-1421	T158584	1F21	5	3100-3115	T28850	1C12	10	1600-16KH
R97352	1B10	1	1200-1299	T16318	1G4	2	3700-3704	T29969	1C13	6	1600-1699A
R97352	1K16	13	9700-9712	T17949	1C19	3	1600-1699G	T30199	1I20	3	6500-6576A
R97454	1G25	8	4400-4499	T17950	1C19	2	1600-1699G	T30726	1D5	3	1900-1908
R97454	1K16	17	9700-9712	T18891	1K11	12	9700-9707	T30897	1K21	4	9700-9717
R97455	1D14	7	2000-2026	T18891	2B9	8	9800-9805	T32853	1I7	4	6200-6218A
R97455	1D15	7	2000-2027	T18891	2C17	8	9900-9905	T43513	1K6	8	9700-9702
R97455	1K21	2	9700-9717	T19044	1G11	1	4000-4003	T43513	1K6	9	9700-9702
R97490	1K7	6	9700-9703	T19158	1I20	21	6500-6576A	T58477	1G17	1	4300-4399
R97490	2B7	6	9800-9803	T19651	1D14	10	2000-2026	T58477	1K6	8	9700-9702
R97490	2C15	6	9900-9903	T19651	1D15	10	2000-2027	T58477	2B6	5	9800-9802
R97491	1K7	6	9700-9703	T19651	1G7	4	3900-3909	T58477	2C14	5	9900-9902
R97491	2B7	6	9800-9803	T19858	1C19	4	1600-1699G	T58477 TY937	1K6	2	9700-9702
R97491	2C15	6	9900-9903	T19860	1C19	5	1600-1699G	T77613	1I18	4	6500-6503A
R97492	1K7	8	9700-9703	T19861	1C19	7	1600-1699G	T77613	1I22	4	6500-6577A
R97492	2B7	8	9800-9803	T20011	1K13	7	9700-9709	T77613	1I24	4	6500-6578A
R97492	2C15	8	9900-9903	T20034	1K18	4	9700-9714	T77613	1J1	4	6500-6579A
R97493	1K7	8	9700-9703	T20034	2B17	4	9800-9813	UN4660	1G4	6	3700-3704
R97493	2B7	8	9800-9803	T20034	2C25	4	9900-9913	VFLK07V7467	1H8	2	5600-5602
R97493	2C15	8	9900-9903	T20046	1K14	3	9700-9710	12H304	1C24	2	1700-1735
R97876	1D20	3	2100-2109	T20046	1K15	3	9700-9711	12H304	1D5	2	1900-1908
R97876	1D21	3	2100-2112	T20070	1K9	7	9700-9705	12H304	1D14	15	2000-2026
R97877	1D20	4	2100-2109	T20072	1K9	8	9700-9705	12H304	1D15	16	2000-2027
R97877	1D21	4	2100-2112	T20072	1K11	3	9700-9707	12H304	1F13	2	3000-3009
R97939	1E14	1	2400-2408	T20073	1K5	10	9700-9701	12H304	1F15	2	3000-3052
R98062	1K7	6	9700-9703	T20073	1K9	4	9700-9705	12H304	1I7	2	6200-6218A
R98062	2B7	6	9800-9803	T20073	1K11	6	9700-9707	12H304	1I11	2	6400-6410
R98062	2C15	6	9900-9903	T20094	1K14	5	9700-9710	12H304	1I20	12	6500-6576A
R99254	1H20	5	5900-5906A	T20166	1K17	3	9700-9713	12H304	1K20	12	9700-9716
R99257	1H20	11	5900-5906A	T20168	2B9	18	9800-9805	12H304	1L2	7	9700-9723
R99258	1H20	4	5900-5906A	T20168	2C17	18	9900-9905	12H317	1F21	3	3100-3115
R99259	1H20	3	5900-5906A	T20243	1D14	13	2000-2026	12H324	1K17	2	9700-9713
TY16086	1K16	21	9700-9712	T20243	1D15	14	2000-2027	12M7056	1E9	2	2300-2308
TY6333	1K9	1	9700-9705	T20243	1K21	3	9700-9717	12M7056	1E19	2	2500-2501
TY6333	1K11	29	9700-9707	T20277	1G7	7	3900-3909	12M7056	1E20	2	2500-2507
TY6333	1K25	1	9700-9721	T20280	1I6	5	6200-6218	12M7056	1F19	4	3100-3106
TY6333	2B9	7	9800-9805	T20298	1K20	10	9700-9716	12M7056	1I20	2	6500-6576A
TY6333	2B25	1	9800-9822	T20310	1K5	9	9700-9701	12M7077	1G16	3	4300-4302
TY6333	2C17	7	9900-9905	T20314	1K5	4	9700-9701	12M7135	1F13	7	3000-3009
TY6333	2D8	1	9900-9922	T20314	2B5	4	9800-9801	12M7135	1F15	7	3000-3052
TY9371	1K6	8	9700-9702	T20314	2C13	4	9900-9901	14H1076	1D14	16	2000-2026
TY9371	1K6	9	9700-9702	T20315	1K5	7	9700-9701	14H1076	1D15	17	2000-2027
TY9374	1G17	2	4300-4399	T20316	1K5	3	9700-9701	14H1076	1I11	5	6400-6410
TY9374	1K6	8	9700-9702	T20316	2B5	3	9800-9801	14H1076	1I20	18	6500-6576A
TY9374	1K6	9	9700-9702	T20316	2C13	3	9900-9901	14H1076	1K11	37	9700-9707
TY9374	2B6	5	9800-9802	T22867	1B23	8	1400-1421	14H785	1F19	5	3100-3106
TY9374	2B6	6	9800-9802	T23214	1K8	1	9700-9704	14H785	1I20	10	6500-6576A
TY9374	2C14	5	9900-9902	T23214	1K14	8	9700-9710	14H812	1F3	1	2800-2803
TY9374	2C14	6	9900-9902	T23215	1K8	2	9700-9704	14H812	1F13	1	3000-3009
TY9375	1G17	2	4300-4399	T23260	1B10	2	1200-1299	14H826	1G11	5	4000-4003
TY9375	1K6	8	9700-9702	T23260	1K16	12	9700-9712	14H826	1K20	2	9700-9716

## NUMERICAL INDEX - CONTINUED

PART NO.	GRID	KEY	PAGE	PART NO.	GRID	KEY	PAGE	PART NO.	GRID	KEY	PAGE
14H865	1K19	1	9700 - 9715	19H2127	1E19	1	2500 - 2501	19M7801	1G21	5	4400 - 4401
14M7066	2B19	4	9800 - 9815	19H2127	1E20	1	2500 - 2507	19M7801	1G23	5	4400 - 4403
14M7066	2D2	4	9900 - 9915	19H2127	1G4	4	3700 - 3704	19M7801	1J18	3	8700 - 8702
14M7148	2B5	8	9800 - 9801	19H2284	1B10	4	1200 - 1299	19M7802	1H11	2	5700 - 5702
14M7148	2C13	8	9900 - 9901	19H2284	1K16	8	9700 - 9712	19M7802	1H16	2	5900 - 5901A
14M7156	1F21	2	3100 - 3115	19H2284	1L2	6	9700 - 9723	19M7802	1H18	2	5900 - 5902A
14M7165	1F19	11	3100 - 3106	19H2351	1K11	34	9700 - 9707	19M7802	1J22	1	8800 - 8806A
14M7165	1F21	9	3100 - 3115	19H2473	1B18	1	1300 - 1317	19M7802	2B19	1	9800 - 9815
14M7265	1F19	10	3100 - 3106	19H2549	1G25	6	4400 - 4499	19M7802	2D2	1	9900 - 9915
14M7274	1F13	6	3000 - 3009	19H2549	1K16	6	9700 - 9712	19M7806	1D19	1	2100 - 2101
14M7274	1F15	6	3000 - 3052	19H2599	1B23	5	1400 - 1421	19M7807	2B17	1	9800 - 9813
14M7296	1F15	1	3000 - 3052	19H2633	1D20	1	2100 - 2109	19M7807	2C25	1	9900 - 9913
14M7296	1G21	6	4400 - 4401	19H2633	1D21	1	2100 - 2112	19M7808	1E15	2	2400 - 2409
14M7296	1G23	6	4400 - 4403	19H2661	1F19	1	3100 - 3106	19M7810	1F4	1	2800 - 2803A
14M7296	1I4	9	6200 - 6201	19H2664	1L2	14	9700 - 9723	19M7810	1F5	1	2800 - 2808
14M7296	1I5	7	6200 - 6201	19H2676	1D5	1	1900 - 1908	19M7812	1I5	4	6200 - 6201A
14M7296	1I23	4	6500 - 6578	19H2676	1K9	6	9700 - 9705	19M7835	1E10	1	2300 - 2312
14M7296	1I25	4	6500 - 6579	19H2676	1K11	2	9700 - 9707	19M7835	1F15	5	3000 - 3052
14M7297	1G16	2	4300 - 4302	19H2733	1G25	4	4400 - 4499	19M7835	1J21	6	8800 - 8806
14M7298	2B16	5	9800 - 9812	19H2733	1H20	9	5900 - 5906	19M7863	1G22	1	4400 - 4401A
14M7298	2C2	12	9800 - 9824	19H2733	1K16	4	9700 - 9712	19M7863	1G24	1	4400 - 4403A
14M7298	2C24	5	9900 - 9912	19H2993	1C3	1	1500 - 1503	19M7864	1H4	9	4500 - 4501
14M7298	2D10	12	9900 - 9924	19H2993	1C4	1	1500 - 1505	19M7864	1H5	2	4500 - 4501A
14M7360	1F21	8	3100 - 3115	19H3011	1K19	8	9700 - 9715	19M7865	2C2	9	9800 - 9824
15H562	1K11	32	9700 - 9707	19H3031	1G7	1	3900 - 3909	19M7865	2D10	9	9900 - 9924
15H584	1B21	5	1400 - 1403	19H3031	1G25	5	4400 - 4499	19M7866	1D6	1	1900 - 1949
15H584	1B22	3	1400 - 1404	19H3031	1K5	5	9700 - 9701	19M7866	1D7	1	1900 - 1950
15H584	1B23	3	1400 - 1421	19H3031	1K16	5	9700 - 9712	19M7866	1D8	7	1900 - 1950A
15H584	1B24	5	1400 - 1433	19H3065	1D14	14	2000 - 2026	19M7866	1I18	8	6500 - 6503A
15H584	1D5	10	1900 - 1908	19H3065	1D15	15	2000 - 2027	19M7866	1I22	8	6500 - 6577A
15H584	1D6	9	1900 - 1949	19H3065	1G25	1	4400 - 4499	19M7866	1I24	8	6500 - 6578A
15H584	1D7	9	1900 - 1950	19H3065	1I7	1	6200 - 6218	19M7866	1J1	8	6500 - 6579A
15H584	1D14	9	2000 - 2026	19H3065	1K16	2	9700 - 9712	19M7867	1G21	19	4400 - 4401
15H584	1D15	9	2000 - 2027	19H3219	1B23	4	1400 - 1421	19M7867	1G23	19	4400 - 4403
15H584	1G7	3	3900 - 3909	19H3219	1D14	11	2000 - 2026	19M7867	1H11	1	5700 - 5702
15H584	1K11	30	9700 - 9707	19H3219	1D15	12	2000 - 2027	19M7867	2B12	1	9800 - 9808
15H584	2B9	21	9800 - 9805	19H3267	1I20	19	6500 - 6576	19M7867	2C20	1	9900 - 9908
15H584	2C17	21	9900 - 9905	19H3404	1F3	4	2800 - 2803	19M7902	1D6	2	1900 - 1949
15H602	1D5	8	1900 - 1908	19H3413	1D14	18	2000 - 2026	19M7902	1D7	2	1900 - 1950
15H602	1D6	7	1900 - 1949	19H3413	1D15	19	2000 - 2027	19M7902	1D8	2	1900 - 1950A
15H602	1D7	7	1900 - 1950	19H3483	1C22	1	1700 - 1703	19M7913	1J22	3	8800 - 8806A
15H616	1K11	24	9700 - 9707	19H3483	1C24	1	1700 - 1735	19M7923	1B22	9	1400 - 1404
15H623	1C22	4	1700 - 1703	19M7774	1D12	1	2000 - 2001	19M7923	1C13	7	1600 - 1699A
15H623	1K11	22	9700 - 9707	19M7774	1D13	1	2000 - 2002	19M7923	1C14	6	1600 - 1699B
15H623	2B9	16	9800 - 9805	19M7775	1G21	9	4400 - 4401	19M7923	1C15	6	1600 - 1699C
15H623	2C17	16	9900 - 9905	19M7775	1G23	9	4400 - 4403	19M7923	1C16	8	1600 - 1699D
15H690	1K11	23	9700 - 9707	19M7784	1E21	1	2500 - 2508	19M7970	1D6	10	1900 - 1949
16H658	1C13	10	1600 - 1699	19M7784	1J14	1	8600 - 8604	19M7970	1H16	1	5900 - 5901A
19H1648	1I20	11	6500 - 6576	19M7784	1J15	1	8600 - 8610	19M7970	1H18	1	5900 - 5902A
19H1726	1B10	5	1200 - 1299	19M7785	1C25	1	1700 - 1740	19M7979	1G21	4	4400 - 4401
19H1726	1G25	3	4400 - 4499	19M7785	1D1	1	1700 - 1748	19M7979	1G23	4	4400 - 4403
19H1726	1K11	10	9700 - 9707	19M7785	1I5	1	6200 - 6201	19M8131	1J18	1	8700 - 8702
19H1726	1K16	7	9700 - 9712	19M7785	1I17	1	6500 - 6503	19M8162	1I23	1	6500 - 6578
19H1732	1F3	5	2800 - 2803	19M7785	1I21	1	6500 - 6577	19M8162	1I25	1	6500 - 6579
19H1732	1F13	5	3000 - 3009	19M7785	2C2	1	9800 - 9824	19M8291	1G21	1	4400 - 4401
19H1732	1I11	1	6400 - 6410	19M7785	2D10	1	9900 - 9924	19M8291	1G23	1	4400 - 4403
19H1732	1L2	1	9700 - 9723	19M7786	1C23	1	1700 - 1712	19M8292	2B18	1	9800 - 9814
19H1813	1I20	7	6500 - 6576	19M7786	1D19	2	2100 - 2101	19M8292	2D1	1	9900 - 9914
19H1897	1F19	7	3100 - 3106	19M7786	1I4	8	6200 - 6201	19M8306	1B21	2	1400 - 1403
19H1901	1I20	1	6500 - 6576	19M7786	1I5	3	6200 - 6201	19M8306	1B22	5	1400 - 1404
19H1912	1D14	17	2000 - 2026	19M7788	1D19	10	2100 - 2101	19M8306	1B24	2	1400 - 1433
19H1912	1D15	18	2000 - 2027	19M7796	1G22	2	4400 - 4401	19M8317	1G21	2	4400 - 4401
19H1912	1I6	1	6200 - 6218	19M7796	1G24	2	4400 - 4403	19M8317	1G23	2	4400 - 4403
19H1925	1F3	7	2800 - 2803	19M7798	1H5	8	4500 - 4501	19M8442	1J8	1	6800 - 6803
19H2021	1L2	12	9700 - 9723	19M7800	1G21	12	4400 - 4401	19M8943	1J8	3	6800 - 6803
19H2104	1F3	6	2800 - 2803	19M7800	1G23	12	4400 - 4403	19M8986	1D7	10	1900 - 1950
19H2117	1E9	1	2300 - 2308	19M7801	1D19	12	2100 - 2101	19M8986	2B19	7	9800 - 9815

# 1L25

GENSET POWER UNITS CD4039/4045/6068 ENGINES

## NUMERICAL INDEX - CONTINUED

PART NO.	GRID	KEY	PAGE	PART NO.	GRID	KEY	PAGE	PART NO.	GRID	KEY	PAGE
19M8986	2D2	7	9900 - 9915	51M7045	1J21	9	8800 - 8806				
24H1136	1E9	3	2300 - 2308	51M7049	1G25	10	4400 - 4499				
24H1136	1G4	3	3700 - 3704	51M7049	1K16	11	9700 - 9712				
24H1290	1G25	13	4400 - 4499								
24H1292	1E19	3	2500 - 2501								
24H1292	1E20	3	2500 - 2507								
24H1292	1F19	2	3100 - 3106								
24M7055	1G3	2	3700 - 3702								
24M7096	1C22	2	1700 - 1703								
24M7096	1D14	12	2000 - 2026								
24M7096	1D15	13	2000 - 2027								
24M7106	1B10	3	1200 - 1299								
24M7106	1D20	2	2100 - 2109								
24M7106	1D21	2	2100 - 2112								
24M7106	1F3	2	2800 - 2803								
24M7106	1G25	2	4400 - 4499								
24M7106	1H20	12	5900 - 5906A								
24M7106	1K16	3	9700 - 9712								
24M7106	1L2	2	9700 - 9723								
26H27	1B18	6	1300 - 1317								
26H72	1K9	2	9700 - 9705								
26H72	1K11	4	9700 - 9707								
26H72	1K14	7	9700 - 9710								
26H72	1K15	6	9700 - 9711								
26M4224	1H4	3	4500 - 4501								
26M4224	1H5	5	4500 - 4501A								
26M4224	2B15	4	9800 - 9811								
26M4224	2C23	4	9900 - 9911								
28H1517	1I7	5	6200 - 6218A								
28H860	1D19	13	2100 - 2101								
32296	2C3	2	9800 - 9825								
32296	2D11	2	9900 - 9925								
34M7061	1J18	6	8700 - 8702								
38H5035	1I18	5	6500 - 6503A								
38H5035	1I22	5	6500 - 6577A								
38H5154	1I24	5	6500 - 6578A								
38H5154	1J1	5	6500 - 6579A								
42M7058	1F15	3	3000 - 3052								
51M7039	1C23	5	1700 - 1712								
51M7039	1C25	7	1700 - 1740								
51M7039	1D1	7	1700 - 1748								
51M7040	1C7	8	1600 - 16GQ								
51M7040	1C8	8	1600 - 16GR								
51M7040	1C9	8	1600 - 16GS								
51M7040	1C10	8	1600 - 16GT								
51M7040	2C2	4	9800 - 9824								
51M7040	2C3	1	9800 - 9825								
51M7040	2C3	7	9800 - 9825								
51M7040	2D10	4	9900 - 9924								
51M7040	2D11	1	9900 - 9925								
51M7040	2D11	7	9900 - 9925								
51M7041	1C23	7	1700 - 1712								
51M7041	1D19	7	2100 - 2101								
51M7041	1J5	2	6600 - 6609								
51M7042	1I18	6	6500 - 6503A								
51M7042	1I22	6	6500 - 6577A								
51M7042	1I24	6	6500 - 6578A								
51M7042	1J1	6	6500 - 6579A								
51M7043	1G22	6	4400 - 4401A								
51M7043	1G24	6	4400 - 4403A								
51M7043	1H15	7	5900 - 5901								
51M7043	1H17	7	5900 - 5902								
51M7044	1G21	22	4400 - 4401								
51M7044	1G23	22	4400 - 4403								
51M7044	1K16	18	9700 - 9712								
51M7045	1D7	5	1900 - 1950								
51M7045	1D8	6	1900 - 1950A								